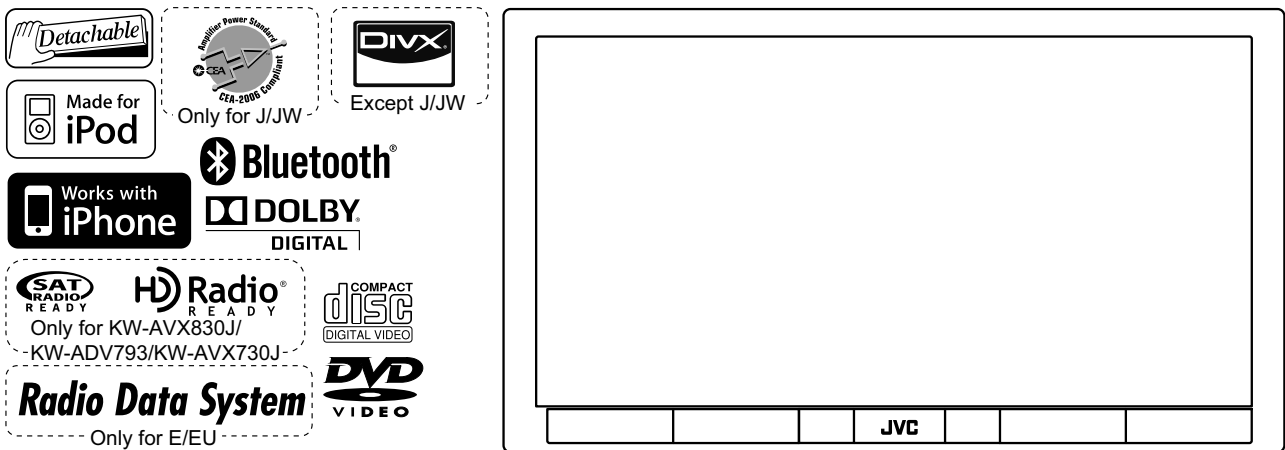


JVC

SERVICE MANUAL

DVD RECEIVER WITH MONITOR

**KW-ADV793J, KW-AVX730E, KW-AVX730EE, KW-AVX730J,
KW-AVX735EU, KW-AVX735U, KW-AVX735UN, KW-AVX736A,
KW-AVX736EU, KW-AVX736U, KW-AVX736UN, KW-AVX736UT,
KW-AVX736UW, KW-AVX738JW, KW-AVX830E, KW-AVX830J,
KW-AVX835EU, KW-AVX835U, KW-AVX835UN, KW-AVX836A,
KW-AVX836EU, KW-AVX836U, KW-AVX836UN, KW-AVX836UT,
KW-AVX836UW, KW-AVX838JW, KW-AVX838UF**



Lead free solder used in the board (material : Sn-Ag-Cu, melting point : 219 Centigrade)
Lead free solder used in the board (material : Sn-Cu, melting point : 230 Centigrade)

TABLE OF CONTENTS

1	PRECAUTION.....	1-6
2	SPECIFIC SERVICE INSTRUCTIONS.....	1-9
3	DISASSEMBLY.....	1-10
4	ADJUSTMENT.....	1-18
5	TROUBLESHOOTING.....	1-31

SPECIFICATION

KW-AVX838/KW-AVX830/KW-ADV793/KW-AVX738/KW-AVX730 J/JW			
AMPLIFIER			
Power Output	20 W RMS × 4 Channels at 4 Ω and < = 1% THD+N		
Signal-to-Noise Ratio	80 dBA (reference: 1 W into 4 Ω)		
Load Impedance	4 Ω (4 Ω to 8 Ω allowance)		
Equalizer Control Range	Frequencies	Low: 60 Hz, 80 Hz, 100 Hz, 200 Hz Mid: 500 Hz, 1 kHz, 1.5 kHz, 2.5 kHz High: 10 kHz, 12.5 kHz, 15 kHz, 17.5 kHz	
	Level	±12 dB	
Audio Output Level	Line-Out Level/Impedance	5 V/20 kΩ load (full scale), 2.5 V/20 kΩ load (full scale) for KW-AVX730	
FRONT OUT, REAR OUT, SUBWOOFER OUT	Output Impedance	1 kΩ	
Color System	NTSC		
Video Output (composite)	1 V _{p-p} /75 Ω		
Other Terminals	Input	LINE IN, VIDEO IN, CAMERA IN, USB input, MIC IN*, Antenna input	
	Output	2nd AUDIO OUT*	
	Others	Expansion port, OE REMOTE	
FM/AM TUNER			
Frequency Range	FM	with channel interval set to 100 kHz or 200 kHz	87.5 MHz to 107.9 MHz
		with channel interval set to 50 kHz	87.5 MHz to 108.0 MHz
	AM	with channel interval set to 10 kHz	530 kHz to 1 710 kHz
with channel interval set to 9 kHz		531 kHz to 1 602 kHz	
FM Tuner	Usable Sensitivity	9.3 dBf (0.8 μV/75 Ω)	
	50 dB Quietening Sensitivity	16.3 dBf (1.8 μV/75 Ω)	
	Alternate Channel Selectivity (400 kHz)	65 dB	
	Frequency Response	40 Hz to 15 000 Hz	
	Stereo Separation	40 dB	
AM Tuner	Sensitivity/Selectivity	20 μV/40 dB	
DVD/CD			
Signal Detection System	Non-contact optical pickup (semiconductor laser)		
Frequency Response	DVD, fs=48 kHz/96 kHz	16 Hz to 22 000 Hz	
	VCD/CD	16 Hz to 20 000 Hz	
Dynamic Range	93 dB		
Signal-to-Noise Ratio	95 dB		
Wow and Flutter	Less than measurable limit		
USB			
USB Standards	USB 2.0 Full Speed		
Data Transfer Rate	Full Speed	Maximum 12 Mbps	
	Low Speed	Maximum 1.5 Mbps	
Compatible Device	Mass storage class		
Compatible File System	FAT 32/16/12		
Max. Current	DC 5 V 500 mA		
BLUETOOTH (Only for KW-AVX838/KW-AVX830)			
Version	Bluetooth 2.0 certified		
Output Power	+4 dBm Max. (Power class 2)		
Service Area	Within 10 m (10.9 yd)		
Profile	HFP (Hands-Free Profile) 1.5		
	OPP (Object Push Profile) 1.1		
	A2DP (Advanced Audio Distribution Profile) 1.2		
	AVRCP (Audio/Video Remote Control Profile) 1.3		
MONITOR			
Screen Size	7 inch wide liquid crystal display		
Number of Pixel	336 960 pixels: 480 × 3 (horizontal) × 234 (vertical)		
Drive Method	TFT (Thin Film Transistor) active matrix format		
Color System	NTSC/PAL		
Aspect Ratio	16:9 (wide)		
GENERAL			
Power Requirement	Operating Voltage	DC 14.4 V (11 V to 16 V allowance)	
Grounding System	Negative ground		
Allowable Storage Temperature	-10°C to +60°C (14°F to 140°F)		
Allowable Operating Temperature	0°C to +40°C (32°F to 104°F)		
Dimensions (W × H × D)	Installation Size (approx.)	182 mm × 111 mm × 160 mm (7-3/16" × 4-3/8" × 6-5/16")	
	Panel Size (approx.)	188 mm × 117 mm × 10 mm (7-7/16" × 4-5/8" × 7/16")	
Mass (approx.)	2.8 kg (6.2 lbs) (including the Trim plate and Sleeve)		

* Only for KW-AVX838/KW-AVX830.

Design and specifications are subject to change without notice.

KW-AVX836/KW-AVX835/KW-AVX736/KW-AVX735 Europe			
AMPLIFIER			
Maximum Power Output	Front/Rear	50 W per channel	
Continuous Power Output (RMS)	Front/Rear	20 W per channel into 4 Ω, 40 Hz to 20 000 Hz at no more than 0.8% total harmonic distortion	
Load Impedance	4 Ω (4 Ω to 8 Ω allowance)		
Equalizer Control Range	Frequencies	Low: 60 Hz, 80 Hz, 100 Hz, 200 Hz Mid: 500 Hz, 1 kHz, 1.5 kHz, 2.5 kHz High: 10 kHz, 12.5 kHz, 15 kHz, 17.5 kHz	
	Level	±12 dB	
Signal-to-Noise Ratio	70 dB		
Audio Output Level	FRONT OUT, REAR OUT, SUBWOOFER OUT	Line-Out Level/Impedance	5 V/20 kΩ load (full scale)
		Output Impedance	1 kΩ
Color System	NTSC/PAL		
Video Output (composite)	1 Vp-p/75 Ω		
Other Terminals	Input	LINE IN, VIDEO IN, USB input, MIC IN*, Aerial input	
	Output	2nd AUDIO OUT*	
	Others	OE REMOTE, RGB input	
FM/AM TUNER			
Frequency Range	FM	87.5 MHz to 108.0 MHz	
	AM	(MW) 522 kHz to 1 620 kHz (LW) 144 kHz to 279 kHz	
FM Tuner	Usable Sensitivity	9.3 dBf (0.8 μV/75 Ω)	
	50 dB Quieting Sensitivity	16.3 dBf (1.8 μV/75 Ω)	
	Alternate Channel Selectivity (400 kHz)	65 dB	
	Frequency Response	40 Hz to 15 000 Hz	
	Stereo Separation	40 dB	
MW Tuner	Sensitivity/Selectivity	20 μV/40 dB	
LW Tuner	Sensitivity	50 μV	
DVD/CD			
Signal Detection System	Non-contact optical pickup (semiconductor laser)		
Frequency Response	DVD, fs=48 kHz/96 kHz	16 Hz to 22 000 Hz	
	VCD/CD	16 Hz to 20 000 Hz	
Dynamic Range	93 dB		
Signal-to-Noise Ratio	95 dB		
Wow and Flutter	Less than measurable limit		
USB			
USB Standards	USB 2.0 Full Speed		
Data Transfer Rate	Full Speed	Maximum 12 Mbps	
	Low Speed	Maximum 1.5 Mbps	
Compatible Device	Mass storage class		
Compatible File System	FAT 32/16/12		
Max. Current	DC 5 V 500 mA		
BLUETOOTH (Only for KW-AVX836/KW-AVX835)			
Version	Bluetooth 2.0 certified		
Output Power	+4 dBm Max. (Power class 2)		
Service Area	Within 10 m		
Profile	HFP (Hands-Free Profile) 1.5		
	OPP (Object Push Profile) 1.1		
	A2DP (Advanced Audio Distribution Profile) 1.2		
	AVRCP (Audio/Video Remote Control Profile) 1.3		
MONITOR			
Screen Size	7 inch wide liquid crystal display		
Number of Pixel	336 960 pixels: 480 × 3 (horizontal) × 234 (vertical)		
Drive Method	TFT (Thin Film Transistor) active matrix format		
Color System	PAL/NTSC		
Aspect Ratio	16:9 (wide)		
GENERAL			
Power Requirement	Operating Voltage	DC 14.4 V (11 V to 16 V allowance)	
Grounding System	Negative ground		
Allowable Storage Temperature	-10°C to +60°C		
Allowable Operating Temperature	0°C to +40°C		
Dimensions (W × H × D)	Installation Size (approx.)	182 mm × 111 mm × 160 mm	
	Panel Size (approx.)	188 mm × 117 mm × 10 mm	
Mass (approx.)	2.8 kg (including the Trim plate and Sleeve)		

* Only for KW-AVX836/KW-AVX835

Design and specifications are subject to change without notice.

KW-AVX830/KW-AVX730 Europe

AMPLIFIER

Maximum Power Output	Front/Rear	50 W per channel	
Continuous Power Output (RMS)	Front/Rear	20 W per channel into 4 Ω, 40 Hz to 20 000 Hz at no more than 0.8% total harmonic distortion	
Load Impedance	4 Ω (4 Ω to 8 Ω allowance)		
Equalizer Control Range	Frequencies	Low: 60 Hz, 80 Hz, 100 Hz, 200 Hz	
		Mid: 500 Hz, 1 kHz, 1.5 kHz, 2.5 kHz	
		High: 10 kHz, 12.5 kHz, 15 kHz, 17.5 kHz	
	Level	±12 dB	
Signal-to-Noise Ratio	70 dB		
Audio Output Level	FRONT OUT, REAR OUT, SUBWOOFER OUT	Line-Out Level/Impedance	5 V/20 kΩ load (full scale)
		Output Impedance	1 kΩ
Color System	PAL		
Video Output (composite)	1 Vp-p/75 Ω		
Other Terminals	Input	LINE IN, VIDEO IN, CAMERA IN*1, USB input, MIC IN*1, Aerial input	
	Output	2nd AUDIO OUT*1	
	Others	Expansion port*2, OE REMOTE	

FM/AM TUNER

Frequency Range	FM	87.5 MHz to 108.0 MHz	
	AM	(MW) 522 kHz to 1 620 kHz	
		(LW) 144 kHz to 279 kHz	
FM Tuner	Usable Sensitivity	9.3 dBf (0.8 μV/75 Ω)	
	50 dB Quieting Sensitivity	16.3 dBf (1.8 μV/75 Ω)	
	Alternate Channel Selectivity (400 kHz)	65 dB	
	Frequency Response	40 Hz to 15 000 Hz	
	Stereo Separation	40 dB	
MW Tuner	Sensitivity/Selectivity	20 μV/40 dB	
LW Tuner	Sensitivity	50 μV	

DVD/CD

Signal Detection System	Non-contact optical pickup (semiconductor laser)		
Frequency Response	DVD, fs=48 kHz/96 kHz	16 Hz to 22 000 Hz	
	VCD/CD	16 Hz to 20 000 Hz	
Dynamic Range	93 dB		
Signal-to-Noise Ratio	95 dB		
Wow and Flutter	Less than measurable limit		

USB

USB Standards	USB 2.0 Full Speed		
Data Transfer Rate	Full Speed	Maximum 12 Mbps	
	Low Speed	Maximum 1.5 Mbps	
Compatible Device	Mass storage class		
Compatible File System	FAT 32/16/12		
Max. Current	DC 5 V 500 mA		

BLUETOOTH (Only for KW-AVX830)

Version	Bluetooth 2.0 certified		
Output Power	+4 dBm Max. (Power class 2)		
Service Area	Within 10 m		
Profile	HFP (Hands-Free Profile) 1.5		
	OPP (Object Push Profile) 1.1		
	A2DP (Advanced Audio Distribution Profile) 1.2		
	AVRCP (Audio/Video Remote Control Profile) 1.3		

MONITOR

Screen Size	7 inch wide liquid crystal display		
Number of Pixel	336 960 pixels: 480 × 3 (horizontal) × 234 (vertical)		
Drive Method	TFT (Thin Film Transistor) active matrix format		
Color System	PAL/NTSC		
Aspect Ratio	16:9 (wide)		

GENERAL

Power Requirement	Operating Voltage	DC 14.4 V (11 V to 16 V allowance)	
Grounding System	Negative ground		
Allowable Storage Temperature	-10°C to +60°C		
Allowable Operating Temperature	0°C to +40°C		
Dimensions (W × H × D)	Installation Size (approx.)	182 mm × 111 mm × 160 mm	
	Panel Size (approx.)	188 mm × 117 mm × 10 mm	
Mass (approx.)	2.8 kg (including the Trim plate and Sleeve)		

*1 Only for KW-AVX830. *2 Only for KW-AVX730.

Design and specifications are subject to change without notice.


KW-AVX836/KW-AVX835/KW-AVX736/KW-AVX735 Asia & Oceania			
AMPLIFIER			
Maximum Power Output	Front/Rear	50 W per channel	
Continuous Power Output (RMS)	Front/Rear	20 W per channel into 4 Ω , 40 Hz to 20 000 Hz at no more than 0.8% total harmonic distortion	
Load Impedance	4 Ω (4 Ω to 8 Ω allowance)		
Equalizer Control Range	Frequencies	Low: 60 Hz, 80 Hz, 100 Hz, 200 Hz	
		Mid: 500 Hz, 1 kHz, 1.5 kHz, 2.5 kHz	
		High: 10 kHz, 12.5 kHz, 15 kHz, 17.5 kHz	
	Level	± 12 dB	
Signal-to-Noise Ratio	70 dB		
Audio Output Level		Line-Out Level/Impedance	5 V/20 k Ω load (full scale)
FRONT OUT, REAR OUT, SUBWOOFER OUT		Output Impedance	1 k Ω
Color System	NTSC/PAL		
Video Output (composite)	1 V _{p-p} /75 Ω		
Other Terminals	Input	LINE IN, VIDEO IN, USB input, MIC IN*, Antenna input	
	Output	2nd AUDIO OUT*	
	Others	OE REMOTE, RGB input	
FM/AM TUNER			
Frequency Range	FM	87.5 MHz to 108.0 MHz	
	AM	531 kHz to 1 602 kHz	
FM Tuner	Usable Sensitivity	9.3 dBf (0.8 μ V/75 Ω)	
	50 dB Quieting Sensitivity	16.3 dBf (1.8 μ V/75 Ω)	
	Alternate Channel Selectivity (400 kHz)	65 dB	
	Frequency Response	40 Hz to 15 000 Hz	
	Stereo Separation	40 dB	
AM Tuner	Sensitivity/Selectivity	20 μ V/40 dB	
DVD/CD			
Signal Detection System	Non-contact optical pickup (semiconductor laser)		
Frequency Response	DVD, fs=48 kHz/96 kHz	16 Hz to 22 000 Hz	
	VCD/CD	16 Hz to 20 000 Hz	
Dynamic Range	93 dB		
Signal-to-Noise Ratio	95 dB		
Wow and Flutter	Less than measurable limit		
USB			
USB Standards	USB 2.0 Full Speed		
Data Transfer Rate	Full Speed	Maximum 12 Mbps	
	Low Speed	Maximum 1.5 Mbps	
Compatible Device	Mass storage class		
Compatible File System	FAT 32/16/12		
Max. Current	DC 5 V 500 mA		
BLUETOOTH (Only for KW-AVX836/KW-AVX835)			
Version	Bluetooth 2.0 certified		
Output Power	+4 dBm Max. (Power class 2)		
Service Area	Within 10 m		
Profile	HFP (Hands-Free Profile) 1.5		
	OPP (Object Push Profile) 1.1		
	A2DP (Advanced Audio Distribution Profile) 1.2		
	AVRCP (Audio/Video Remote Control Profile) 1.3		
Max. Current	DC 5 V 54.3 mA		
MONITOR			
Screen Size	7 inch wide liquid crystal display		
Number of Pixel	336 960 pixels: 480 \times 3 (horizontal) \times 234 (vertical)		
Drive Method	TFT (Thin Film Transistor) active matrix format		
Color System	PAL/NTSC		
Aspect Ratio	16:9 (wide)		
GENERAL			
Power Requirement	Operating Voltage	DC 14.4 V (11 V to 16 V allowance)	
Grounding System	Negative ground		
Allowable Storage Temperature	-10°C to +60°C		
Allowable Operating Temperature	0°C to +40°C		
Dimensions (W \times H \times D)	Installation Size (approx.)	180 mm \times 100 mm \times 160 mm	
	Panel Size (approx.)	171 mm \times 97 mm \times 28 mm	
Mass (approx.)	2.6 kg		

* Only for KW-AVX836/KW-AVX835.

Design and specifications are subject to change without notice.

SECTION 1 PRECAUTION

1.1 Safety Precautions

 **CAUTION** Burrs formed during molding may be left over on some parts of the chassis. Therefore, pay attention to such burrs in the case of performing repair of this system.

 **CAUTION** Please use enough caution not to see the beam directly or touch it in case of an adjustment or operation check.

1.2 Preventing static electricity

Electrostatic discharge (ESD), which occurs when static electricity stored in the body, fabric, etc. is discharged, can destroy the laser diode in the traverse unit (optical pickup). Take care to prevent this when performing repairs.

1.2.1 Grounding to prevent damage by static electricity

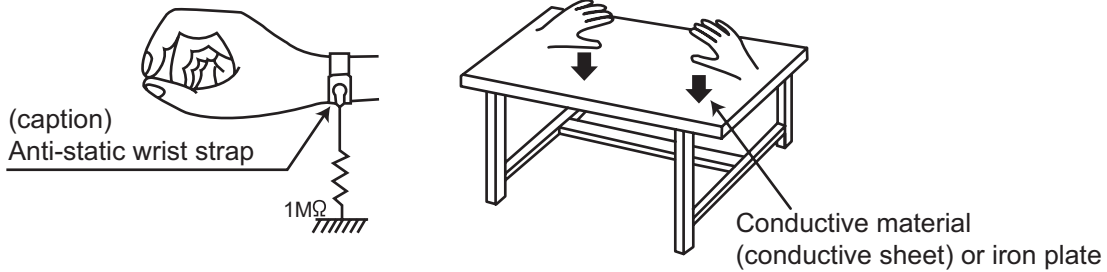
Static electricity in the work area can destroy the optical pickup (laser diode) in devices such as laser products. Be careful to use proper grounding in the area where repairs are being performed.

(1) Ground the workbench

Ground the workbench by laying conductive material (such as a conductive sheet) or an iron plate over it before placing the traverse unit (optical pickup) on it.

(2) Ground yourself

Use an anti-static wrist strap to release any static electricity built up in your body.



(3) Handling the optical pickup

- In order to maintain quality during transport and before installation, both sides of the laser diode on the replacement optical pickup are shorted. After replacement, return the shorted parts to their original condition. (Refer to the text.)
- Do not use a tester to check the condition of the laser diode in the optical pickup. The tester's internal power source can easily destroy the laser diode.

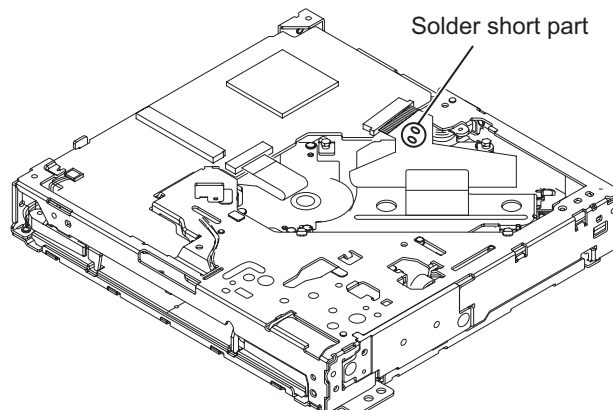
1.3 Handling the traverse unit (optical pickup)

- (1) Do not subject the traverse unit (optical pickup) to strong shocks, as it is a sensitive, complex unit.
- (2) Cut off the shorted part of the flexible cable using nippers, etc. after replacing the optical pickup. For specific details, refer to the replacement procedure in the text. Remove the anti-static pin when replacing the traverse unit. Be careful not to take too long a time when attaching it to the connector.
- (3) Handle the flexible cable carefully as it may break when subjected to strong force.
- (4) It is not possible to adjust the semi-fixed resistor that adjusts the laser power. Do not turn it.

1.4 Attention when traverse unit is decomposed

***Please refer to "Disassembly method" in the text for the pickup unit.**

- Apply solder to the short land before the card wire is disconnected from the connector on the pickup unit. (If the card wire is disconnected without applying solder, the pickup may be destroyed by static electricity.)
- In the assembly, be sure to remove solder from the short land after connecting the card wire.



1.5 Important for laser products

1.CLASS 1 LASER PRODUCT

2.CAUTION :

(For U.S.A.) Visible and/or invisible class II laser radiation when open. Do not stare into beam.

(Others) Visible and/or invisible class 1M laser radiation when open. Do not view directly with optical instruments.

3.CAUTION : Visible and/or invisible laser radiation when open and inter lock failed or defeated. Avoid direct exposure to beam.

4.CAUTION : This laser product uses visible and/or invisible laser radiation and is equipped with safety switches which prevent emission of radiation when the drawer is open and the safety interlocks have failed or are defeated. It is dangerous to defeat the safety switches.

(For U.S.A.)

CAUTION : Visible and/or invisible class II laser radiation when open. Do not stare into beam.

(Others)

CAUTION : Visible and/or invisible class 1M laser radiation when open. Do not view directly with optical instruments

ACHTUNG: Sichtbare und/oder unsichtbare Laserstrahlung der Klasse 1M bei offenen Abdeckungen. Nicht direkt mit optischen Instrumenten betrachten.

ATTENTION: Rayonnement laser visible et/ou invisible de classe 1M une fois ouvert. Ne pas regarder directement avec des instruments optiques.

VOORZICHTIG: Zichtbare en/of onzichtbare klasse 1M laserstralen indien geopend. Bekijk niet direct met optische instrumenten.

ATTENZIONE: Radiazione laser in classe 1M visibile e/o invisibile quando aperto. Non osservare direttamente con strumenti ottici.

WARNING: Synlig och/eller osynlig laserstrålning, klass 1M, när denna del är öppnad. Betrakta ej strålen med optiska instrument.

VARO! Avattaessa olet alttiina nakyyvalle ja/tai näkymättömälle luokan 1M lasersäteilylle. Älä tarkastele sitä optisen laitteen läpi.

ADVASEL: Synlig og/eller usynlig klasse 1M-laserstråling ved åbning. Se ikke direkte med optiske instrumenter.

AVISO: Radiación láser de clase 1M visible y/o invisible cuando está abierto. No mirar directamente con instrumental óptico.

PRECAUÇÃO: Radiação laser de classe 1M visível e/ou invisível quando aberto. Não olhe diretamente com instrumentos ópticos.

5.CAUTION : If safety switches malfunction, the laser is able to function.

6.CAUTION : Use of controls, adjustments or performance of procedures other than those specified here in may result in hazardous radiation exposure.



CAUTION Please use enough caution not to see the beam directly or touch it in case of an adjustment or operation check.

PRECAUÇÃO: Radiação laser de classe 1M visível e/ou invisível quando aberto. Não olhe diretamente com instrumentos ópticos.

ПРЕДУПРЕЖДЕНИЕ: В открытом состоянии происходит видимое и/или невидимое излучение лазера класса 1M. Не смотрите непосредственно в оптические инструменты.

UWAGA: Otwarcie spowoduje narażenie na widzialne i/lub niewidzialne promieniowanie lasera klasy 1M. Nie patrzeć bezpośrednio w przyrządy optyczne.

UPOZORNĚNÍ: Při otevření vydává viditelné popř. neviditelné laserové ozáření třídy 1M. Nedívejte se do otvoru přímo s optickými nástroji.

FIGYELMEZTETÉS: Látható és/vagy láthatatlan 1M osztályú sugárzás nyitott állapotban. Ne nézze közvetlenül optikai műszerekkel.

注意: 打開蓋板可能會產生可見或不可見的 1M 級鐳射。不要使用光學儀器直接進行窺視。

注意: 打开蓋板可能会产生可见或不可见的 1M 级辐射。不要使用光学仪器直接进行窥视。

تنبيه: يوجد إشعاع ليزري مرئي و/أو غير مرئي من الفئة 1M عندما يكون الجهاز مفتوحاً. تجنب النظر مباشرة داخل الجهاز باستخدام أدوات بصرية.

احتياط: هنگامی که باز گردد، تشعشع مرئی و یا نامرئی کلاس 1M لیزر وجود دارد. با لوازم چشمی مستقیماً به آن نگاه نکنید.

주의: 개방하면 가시 및/또는 비가시 클래스 1M 레이저 방사선이 나옵니다. 광학 기구로 직접 들여다보지 마십시오.

REPRODUCTION AND POSITION OF LABELS and PRINT WARNING LABEL and PRINT



CAUTION VISIBLE AND/OR INVISIBLE CLASS 1M LASER RADIATION WHEN OPEN. DO NOT VIEW DIRECTLY WITH OPTICAL INSTRUMENTS. IEC60825-1:2001 (ENG)	ATTENTION RAYONNEMENT LASER VISIBLE ET/OU INVISIBLE DE CLASSE 1M UNE FOIS OUVERT. NE PAS REGARDER DIRECTEMENT AVEC DES INSTRUMENTS OPTIQUES. (FRA)	AVISO RADIACIÓN LASER DE CLASE 1M VISIBLE Y/O INVISIBLE CUANDO ESTÁ ABIERTO. NO MIRAR DIRECTAMENTE CON INSTRUMENTAL ÓPTICO. (ESP)	VARNING SYNLIG OCH/ELLER OSYNLIG LASERSTRÅLNING, KLASS 1M, NÄR DENNA DEL ÄR ÖPPNAD. BETRAKTA EJ STRÅLEN MED OPTISKA INSTRUMENT. (SWE)	注意 ニモ見なくと可視 及び/または不可視 のクラス1M レーザー放射が 出ます。 光学装置で直接 見ないでください。 (JPN)	CAUTION VISIBLE AND/OR INVISIBLE CLASS II LASER RADIATION WHEN OPEN. DO NOT STARE INTO BEAM. FDA 21 CFR (ENG) LV44638-003A
--	--	---	---	--	---

SECTION 2
SPECIFIC SERVICE INSTRUCTIONS

This service manual does not describe SPECIFIC SERVICE INSTRUCTIONS.

SECTION 3 DISASSEMBLY

3.1 Main body (Used model: KW-AVX810)

3.1.1 Removing the Front panel (See Fig.1, 2, 3, 4)

- (1) From the bottom side of the main body, insert the screwdriver to hole of the third gear from hole **a** of the bottom chassis, and then turn the gear to clockwise until Front panel comes up. (See Fig.1)

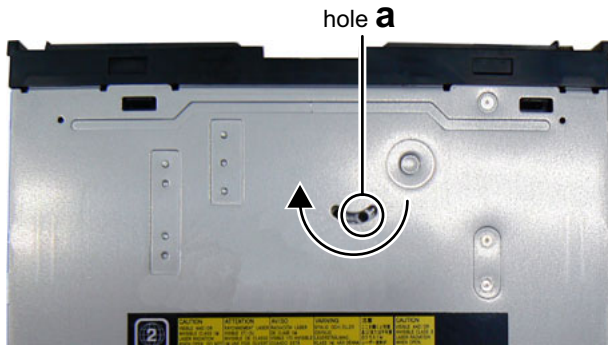


Fig.1

- (2) Remove the two screws **A** attaching the both side of the Front panel. (See Fig.2)

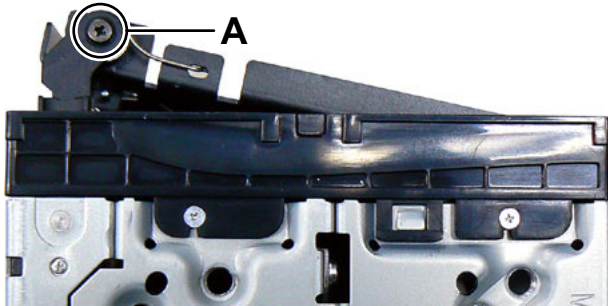


Fig.2

- (3) Remove the three screws **B** attaching the FPC cover. (See Fig.3)

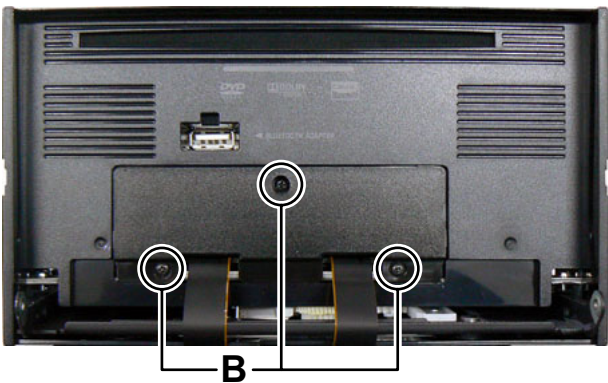


Fig.3

- (4) Disconnect the FPC from Front panel connected to connectors **CN106** and **CN107** of the Main board. (See Fig.4)

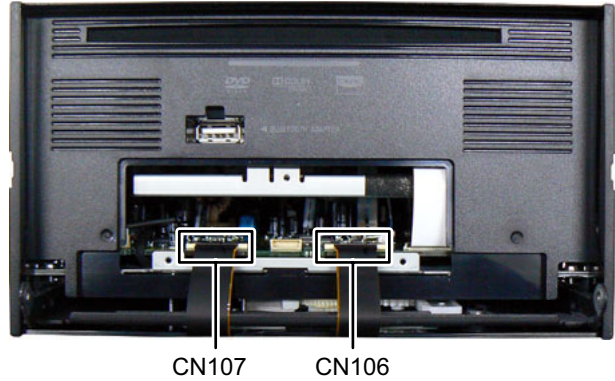


Fig.4

3.1.2 Removing the Heat sink (See Fig.5)

- (1) Remove the three screws **C** and two screws **D** attaching the Heat sink.

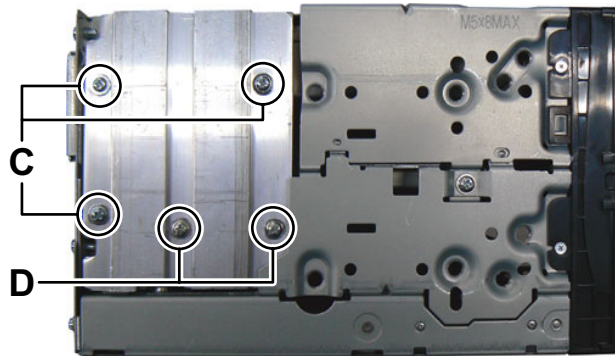


Fig.5

3.1.3 Removing the Rear heat sink (See Fig 6)

- (1) Remove the three screws **E** attaching the Rear heat sink.

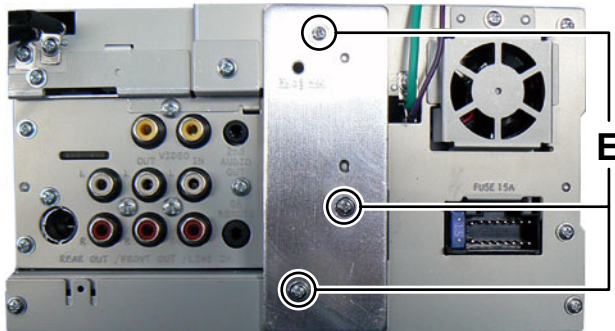


Fig.6

3.1.4 Removing the Front chassis (See Fig.7)

- (1) Remove the four screws **F** attaching the both side of the Front chassis.
- (2) Disengage two hooks **a** engaged both side of the Front chassis.

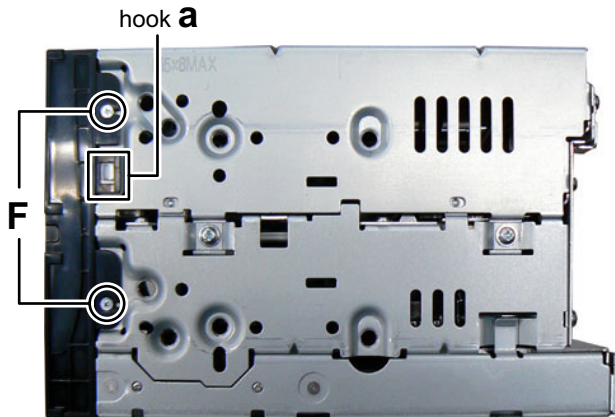


Fig.7

3.1.5 Removing the DVD mechanism (See Fig.8, 9, 10, 11, 12)

- (1) Disconnect the card wire from DVD mechanism connected to connector **CN105** of the Main board. (See Fig.8)

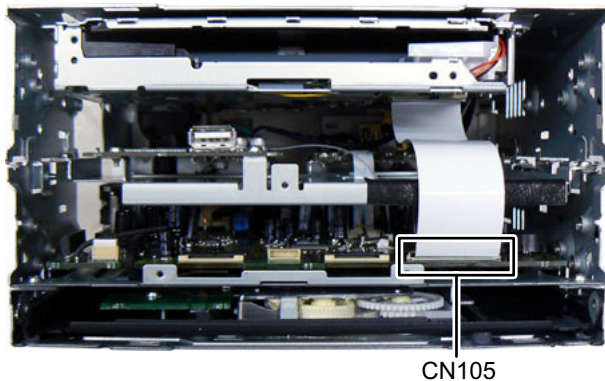


Fig.8

- (2) Remove the two screws **G** attaching the Top chassis. (See Fig.9)

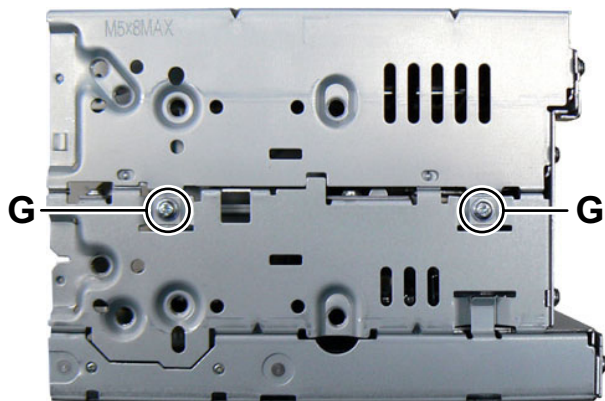


Fig.9

- (3) Remove the one screw **H** attaching the Top chassis. (See Fig.10)

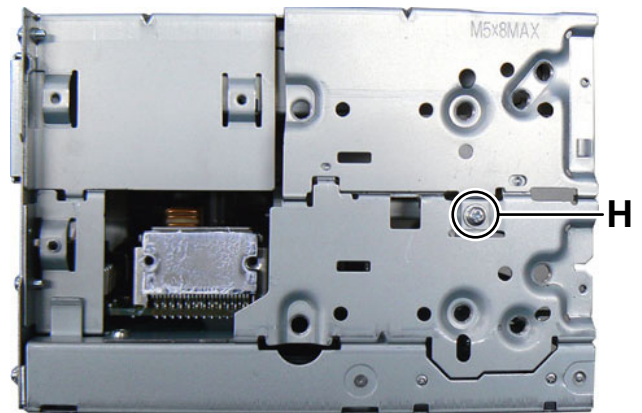


Fig.10

- (4) Remove the four screws **J** attaching the Top chassis. (See Fig.11)

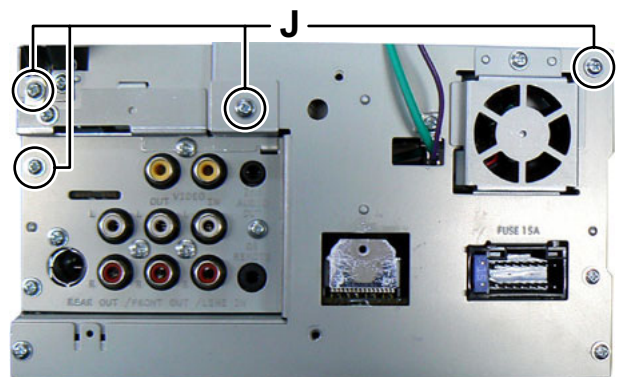


Fig.11

- (5) Remove the three screws **K** attaching the DVD mechanism. (See Fig.12)

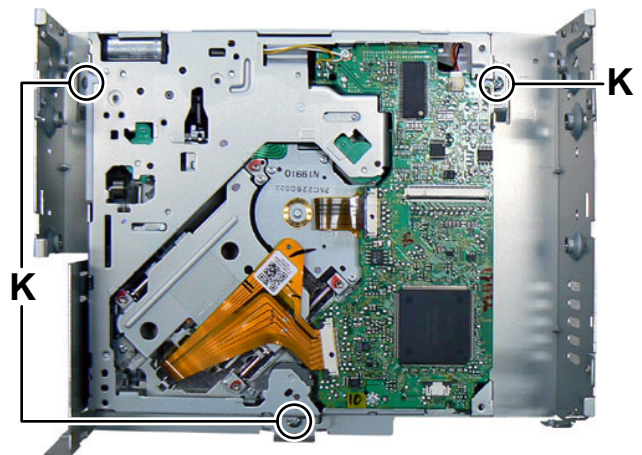
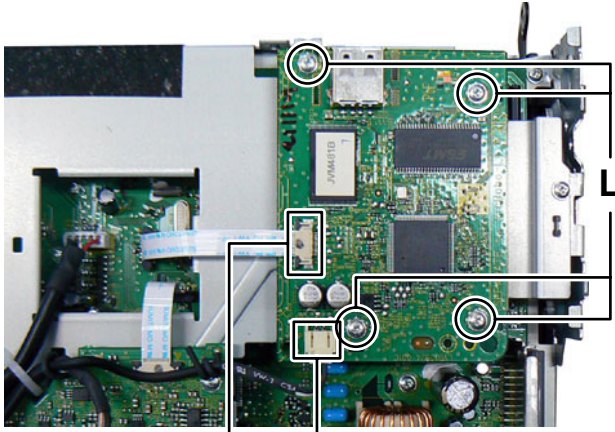


Fig.12

3.1.6 Removing the BT amp board (See Fig.13)

- (1) Disconnect the card wire from Main board connected to connector [CN311](#) of the BT amp board.
- (2) Disconnect Car cable connected to connector [CN341](#) of the BT amp board.
- (3) Remove the four screws **L** attaching the BT amp board.



CN311 CN341
Fig.13

3.1.7 Removing the Sub amp board (See Fig.14, 15)

- (1) Remove the one screw **M** attaching the Sub amp board. (See Fig.14)

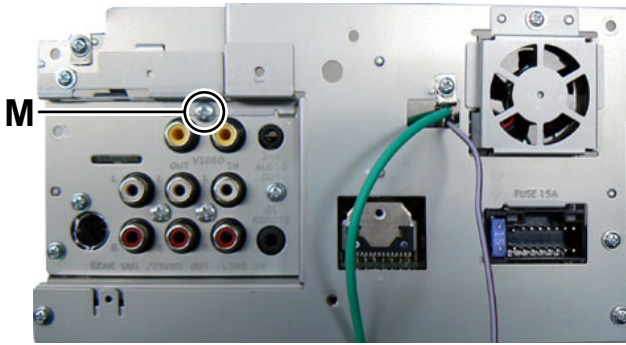


Fig.14

- (2) Disconnect the card wire from Main board connected to connector [CN201](#) of the Sub amp board. (See Fig.15)
- (3) Disconnect the Car cable connected to connector [CN241](#) of the Sub amp board. (See Fig.15)
- (4) Remove the three screws **N** attaching the Sub amp board. (See Fig.15)

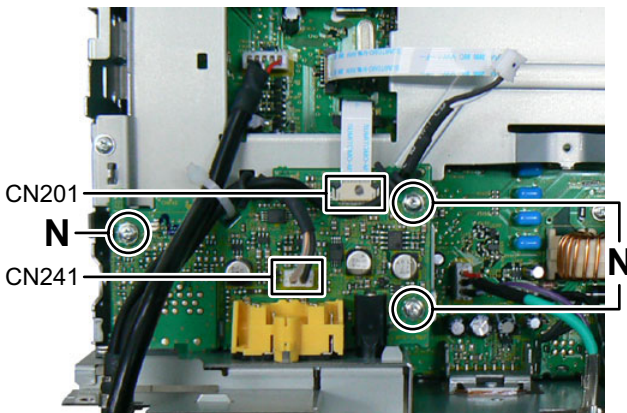


Fig.15

3.1.8 Removing the Rear panel (See Fig.16, 17)

- (1) Disconnect the connector wire from Car cable connected to connector [CN101](#) of the Main board. (See Fig.16)
- (2) Disconnect the connector wire from FAN connected to connector [CN112](#) of the Main board. (See Fig.16)

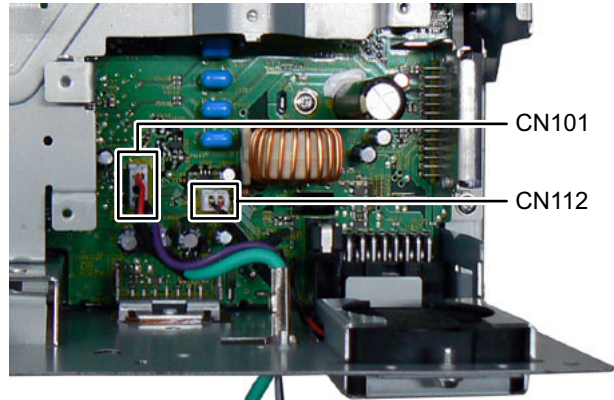


Fig.16

- (3) Remove the six screws **P** and two screws **Q** attaching the Rear panel. (See Fig.17)

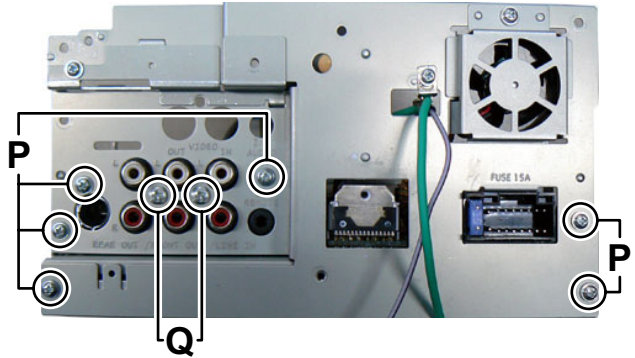


Fig.17

3.1.9 Removing the Center chassis (See Fig.18)

- (1) Remove the three screws **R** attaching the Center chassis.

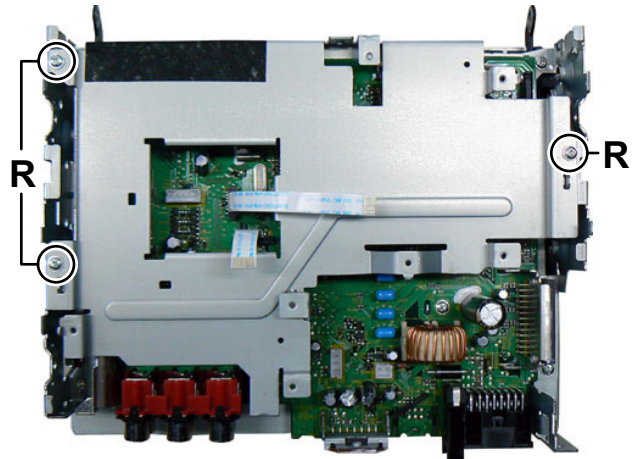


Fig.18

3.1.10 Removing the Main board (See Fig.19)

- (1) Disconnect the connector wire from Door switch board connected to connector [CN109](#) of the Main board.
- (2) Remove the four screws [S](#) attaching the Main board.

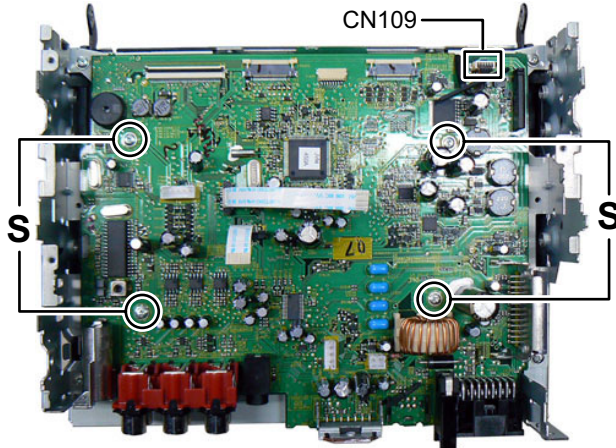


Fig.19

3.1.11 Removing the Rear cover (See Fig.20, 21)

- (1) Remove the ten screws [T](#) and five screws [U](#) attaching the Rear cover. (See Fig.20)

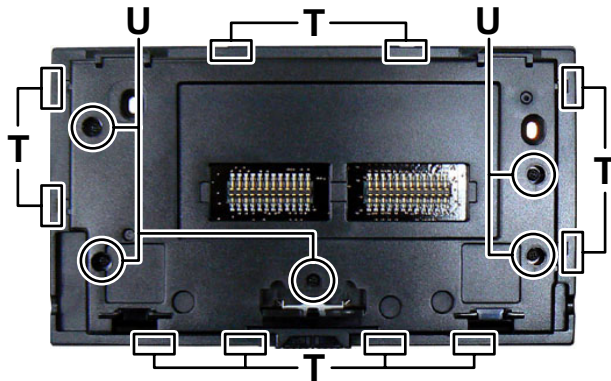


Fig.20

- (2) Disconnect the card wires from Front board connected to connector [CN401](#) of the Panel-A board and [CN601](#) of the Panel-B board. (See Fig.21)

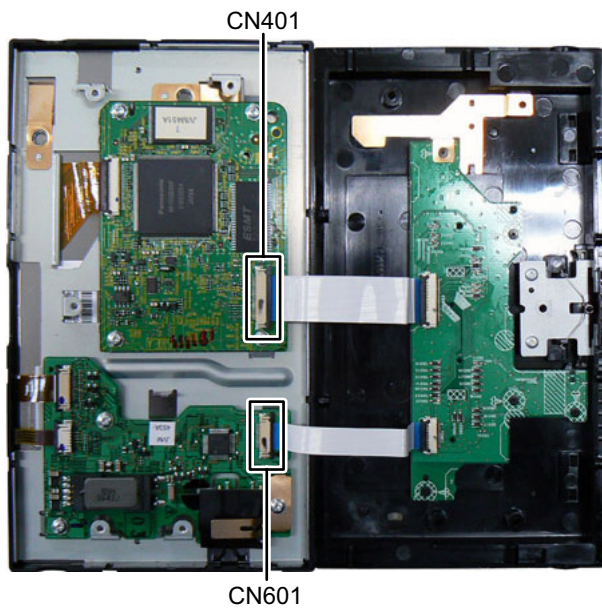


Fig.21

3.1.12 Removing the Front board (See Fig.22)

- (1) Remove the five screws [V](#) attaching the Front board.

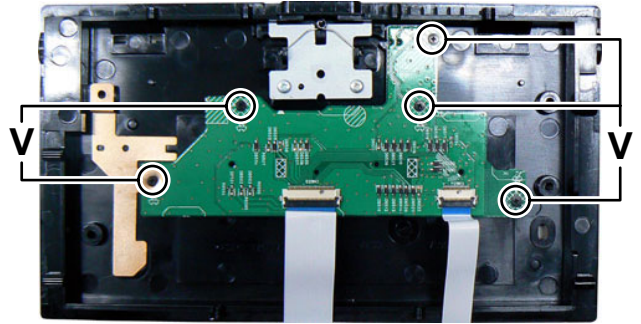


Fig.22

3.1.13 Removing the Panel-A board (See Fig.23)

- (1) Disconnect the FPC connected to connector [CN501](#) of the Panel-A board.
- (2) Remove the four screws [W](#) attaching the Panel-A board.

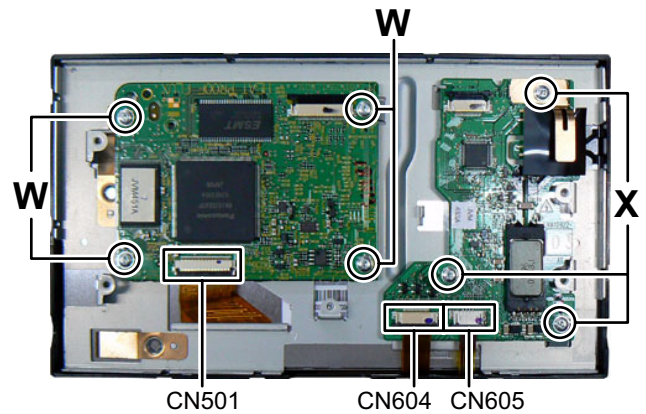


Fig.23

3.1.14 Removing the Panel-B board (See Fig.23)

- (1) Disconnect the FPC connected to connectors [CN604](#) and [CN605](#) of the Panel-B board.
- (2) Remove the three screws [X](#) attaching the Panel-B board.

3.2 DVD mechanism assembly section

3.2.1 Removing the Traverse mechanism assembly (See Fig.1 to 6)

- (1) Solder the short land section on the flexible wire of pickup. (See Fig.1)

Caution:

* Solder the short land section on the flexible wire of pickup before disconnecting the flexible wire from the connector **CN101** on the Front end board.

If the flexible wire is disconnected without attaching the solder, the pickup may be destroyed by static electricity.

* When attaching the Traverse mechanism assembly, remove the solder from the short land section after connection the flexible wire to the connector **CN101** on the Front end board.

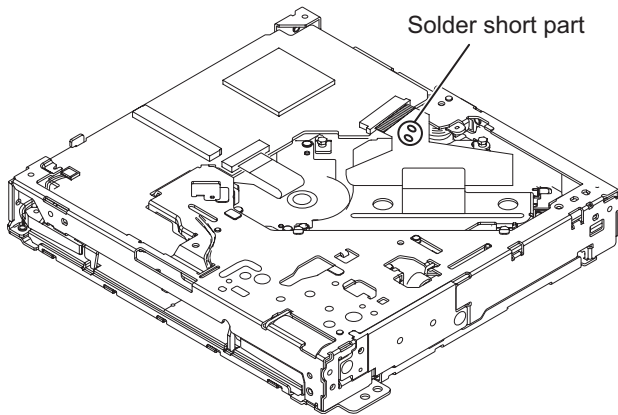


Fig.1

- (2) Voltage supply to **TP79** and **TP81** approx DC 3.0V until Clamper is shift to loading complete position. (See Fig.2)
- (3) Disconnect the flexible wires from Traverse mechanism assembly connected to connector **CN101** and **CN164** of the Front end board. (See Fig.2)

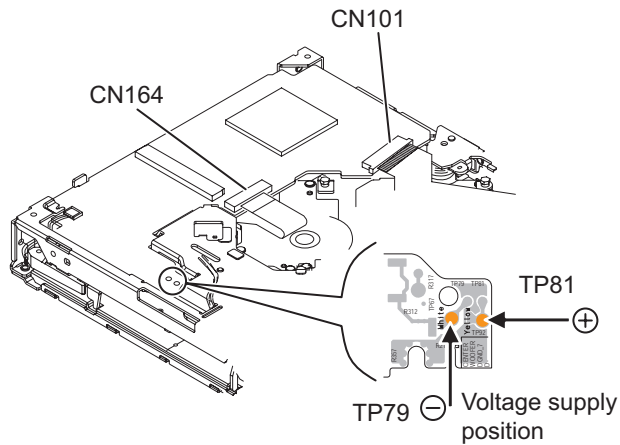


Fig.2

- (4) Remove the five screws **A** attaching the Top cover assembly. (See Fig.3)

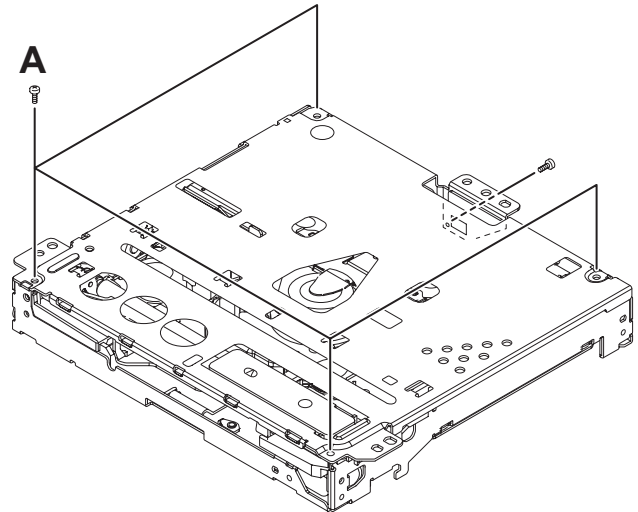


Fig.3

- (5) From the bottom side, disconnect the connector wire from Top cover assembly connected to connector **CN2** of the Front end board. (See Fig.4)

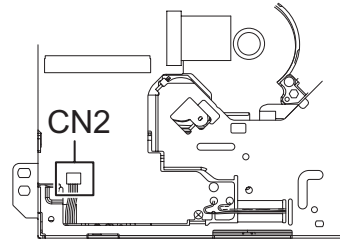


Fig.4

- (6) From the bottom side, remove the spring from Traverse mechanism assembly. (See Fig.5)

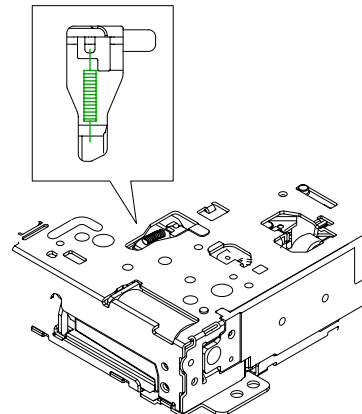


Fig.5

- (7) From the top side, pull up the traverse mechanism and disengage three dumper positions. (See Fig.6)

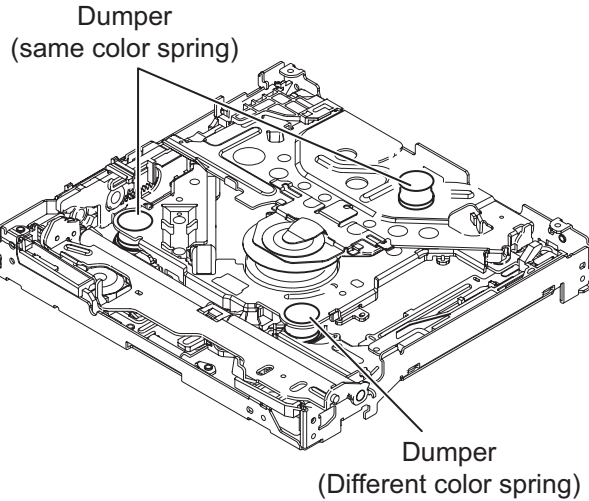


Fig.6

3.2.2 Removing the Front end board (See Fig.7)

- (1) Remove the Motor wires from loading motor soldered to [TP79](#) and [TP81](#) of the Front end board.
- (2) Remove the two screws **B** attaching the Front end board.

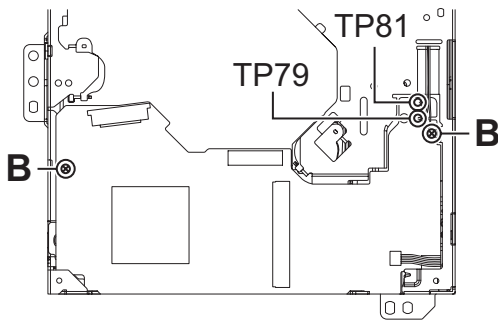


Fig.7

3.2.3 Removing the Loading arm assembly (See Fig.8)

- (1) Remove the Loading arm spring L from Loading arm assembly.
- (2) Slide to left side and then disengage hook **a** then hook **b**.

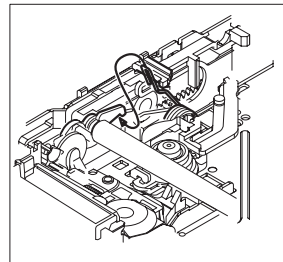
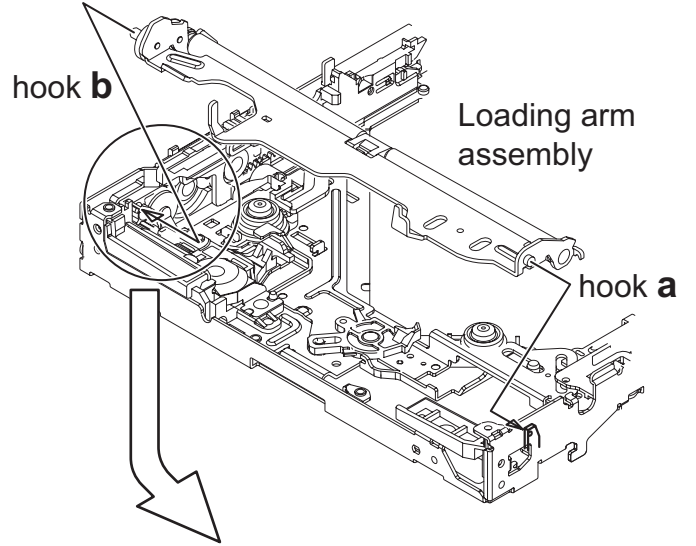


Fig.8

3.2.4 Removing the Gear base assembly (See Fig.9, 10)

- (1) Remove the Loading arm spring L. (See Fig.9)

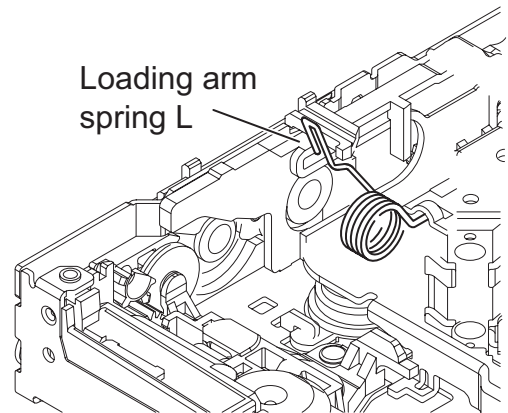


Fig.9

- (2) Remove the two screws **C** attaching the Gear base assembly.
(See Fig.10)

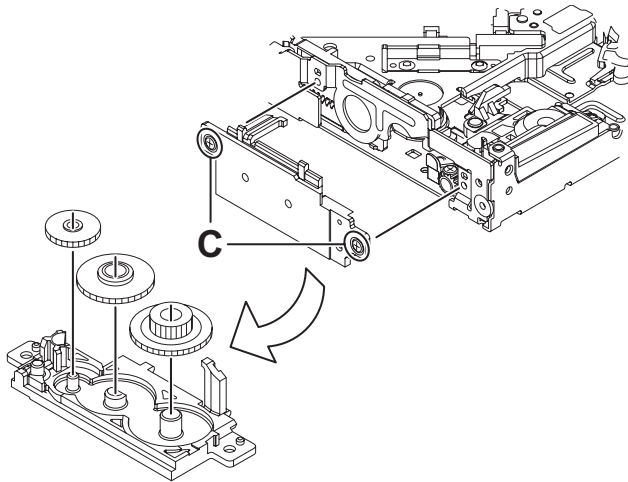


Fig.10

3.2.5 Removing the Loading arm holder. (See Fig.11)

- (1) Remove the two screws **D** attaching the Loading arm holder.
(2) Remove the Loading arm spring **R**.

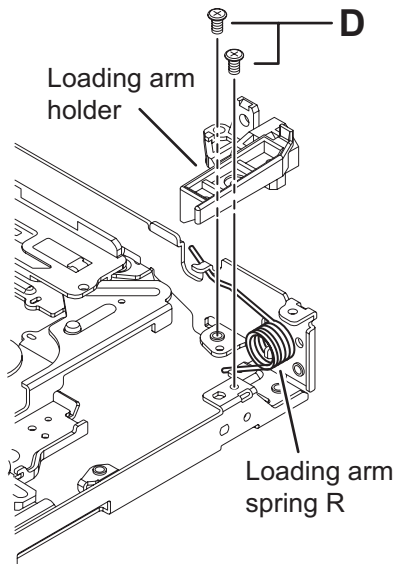


Fig.11

3.2.6 Removing the Loading motor assembly (See Fig.12)

- (1) Remove the three screws **E** attaching the Loading motor assembly.

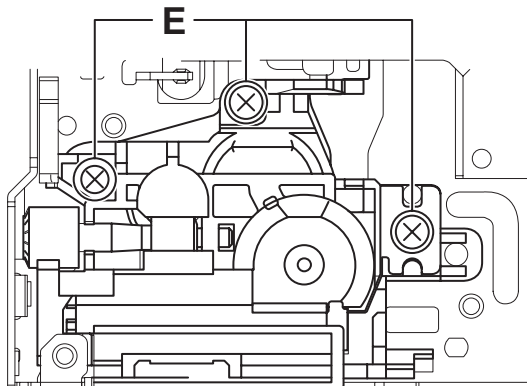


Fig.12

3.2.7 Removing the Slide cam assembly (See Fig.13)

- (1) Slide to backward the Slide cam assembly and the remove the Slide cam spring.
(2) Slide to forward the slide cam assembly, and then take out it.

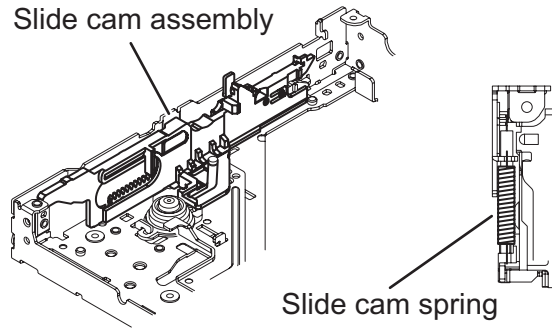


Fig.13

3.2.8 Removing the Photo board (See Fig.14)

- (1) Pressing the hook **c** and then slide to backward (slide to the arrow side) the Disc plate.
(2) Remove the one screw **F** attaching the Photo board.

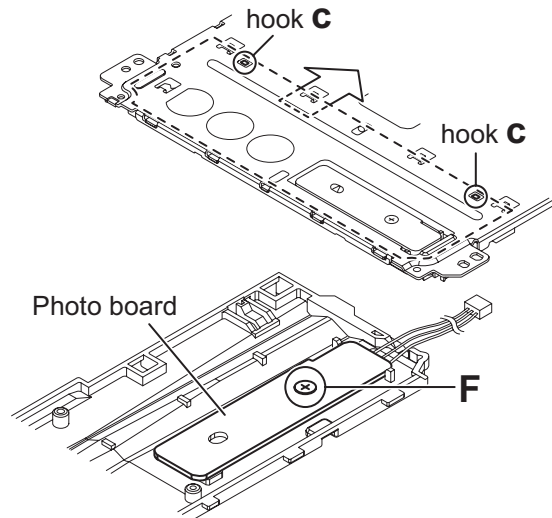


Fig.14

3.2.9 Removing the Loading motor (See Fig.15 to 18)

- (1) Remove the A wheel gear. (See Fig.15)

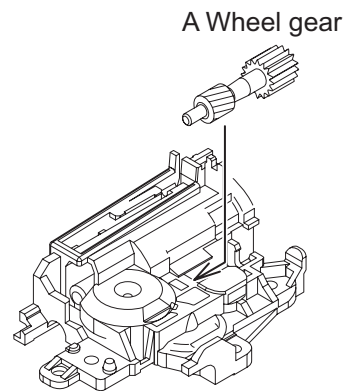


Fig.15

- (2) Remove the A worm gear, M connect gear and M wheel gear by sequentially. (See Fig.16)

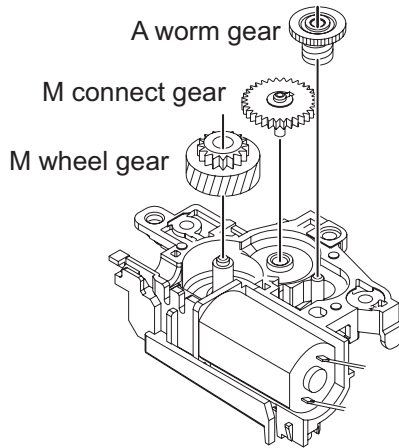


Fig.16

- (3) Remove the two screws **G** attaching the Loading motor. (See Fig.17)

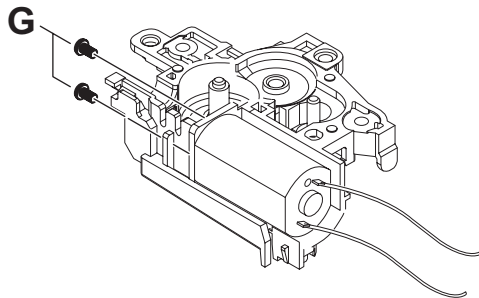


Fig.17

- (4) When attaching the Loading motor, motor wire should arrange to figure. (See Fig.18)

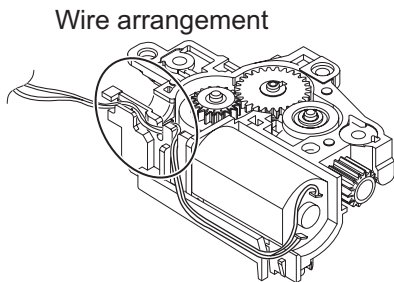


Fig.18

3.2.10 Removing the Roller assembly (See Fig.19)

- (1) Remove the Slit washer.
- (2) Remove the R middle gear.
- (3) Remove the R connect gear.
- (4) Snap off the part **a** of the Roller assembly.
- (5) Lift up the part **b** of the Roller assembly, and then release part **c** (When release part **c**, R collar R is easy to come off, does not lose it).

CAUTION:

When reattach the Roller assembly, Middle gear should keep direction and Slit washer should be change new part.

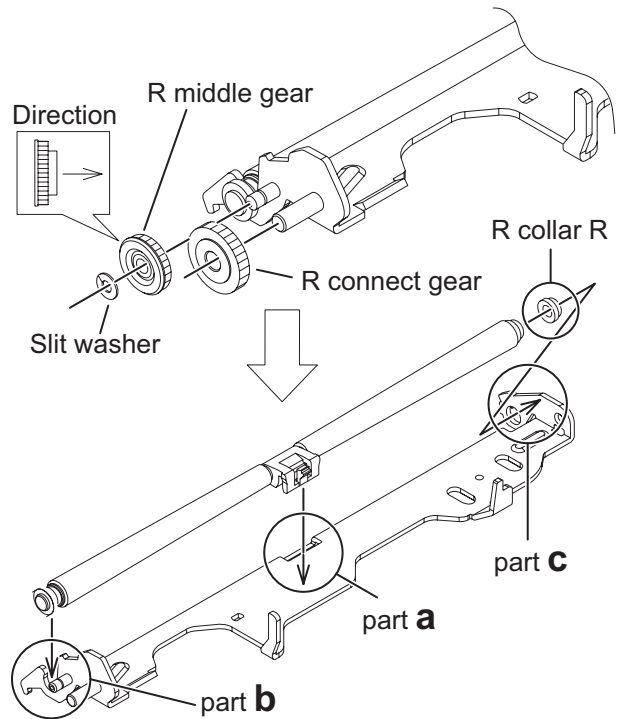


Fig.19

3.2.11 Removing the Roller (See Fig.20)

- (1) Remove the Slit washer.
- (2) Pull out the Roller shaft.

CAUTION:

When reattach the Roller shaft, Slit washer should be change new part.

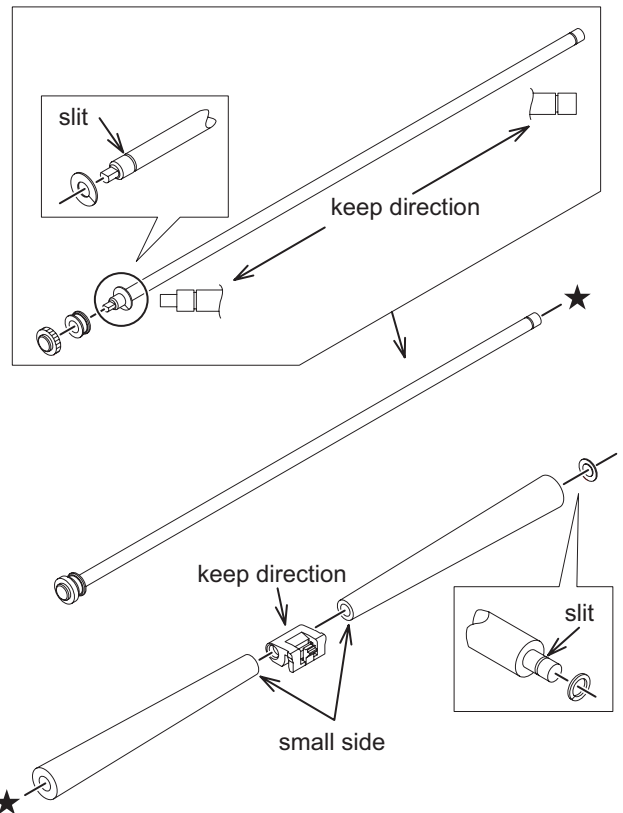


Fig.20

SECTION 4 ADJUSTMENT

4.1 Test instruments required for adjustment

- (1) Digital oscilloscope (100MHz)
- (2) Digital tester
- (3) Test Disc
- (4) Extension cable :

EXTXD001-50PF (CN403 --- CN105)
EXTCN001-6P (CN351 --- CN109)
EXTDV002-28PF (CN401 --- CN653)
EXTDV002-16PF (CN601 --- CN654)

4.2 Standard measuring conditions

Power supply voltage DC14.4V(10.5 to 16V)
Load impedance 20K ohm (2 Speakers connection)
Output Level Line out 2.5V (Vol. MAX)

4.3 Standard volume position

Balance and Bass & Treble volume : Indication "0"
Loudness : OFF

4.4 Dummy load

Exclusive dummy load should be used for AM and FM.

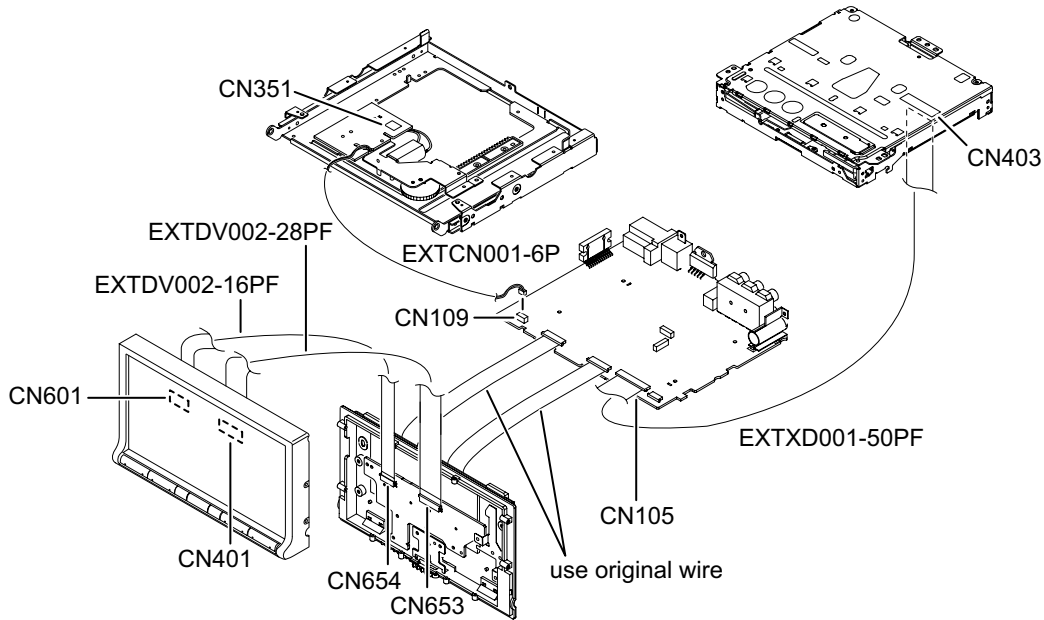
For FM dummy load, there is a loss of 6dB between SSG output and antenna input.

The loss of 6dB need not be considered since direct reading of figures are applied in this working standard.

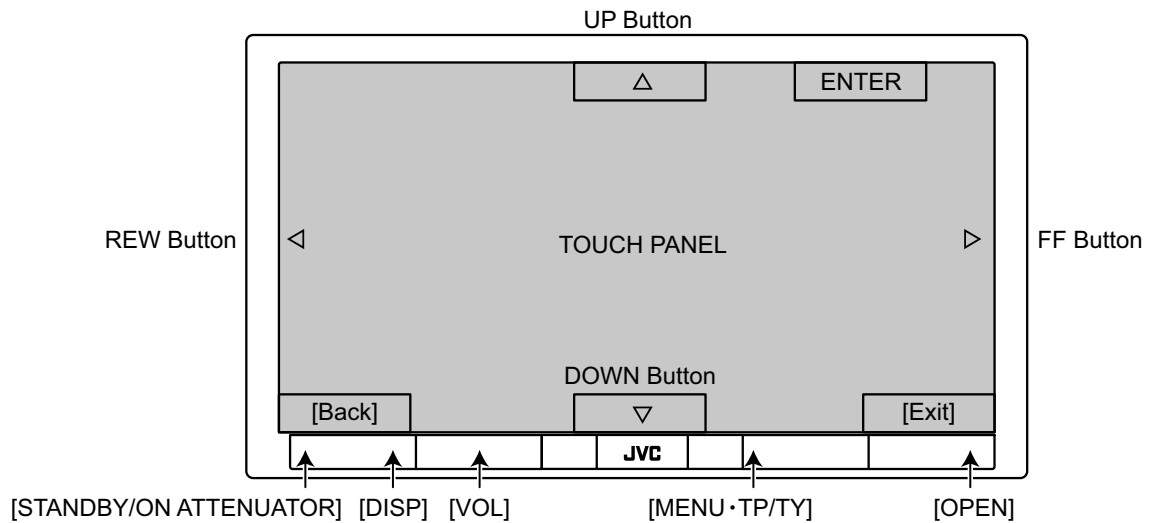
4.5 How to connect the extension cable for adjusting

Caution:

Be sure to attach the heat sink and rear bracket onto the power amplifier IC and regulator IC respectively, before supply the power.
If voltage is applied without attaching these parts, the power amplifier IC and regulator IC will be destroyed by heat.



4.6 Service mode



4.6.1 Service mode 1 (Indication of a service mode 1 is nothing.)

Keep this state more 2 seconds while continuing pressing the [STANDBY/ON ATTENUATOR] button and [OPEN] button sequentially.

Screen indication

NO EJECT?	*1
EMERGENCY EJECT?	*2

Exchanging it operate a menu of a service mode with the [UP] button and [DOWN] button. Operate choice of a menu with a [ENTER] button.

*1 : When an [ENTER] button is pushed in NO EJECT indication, it is set by an EJECT prohibition mode.

When an [ENTER] button is pushed in EJECT OK indication, it is set by a normal mode.

*2 : Forced EJECT movement

A screen becomes normal indication after an [ENTER] button was pushed.

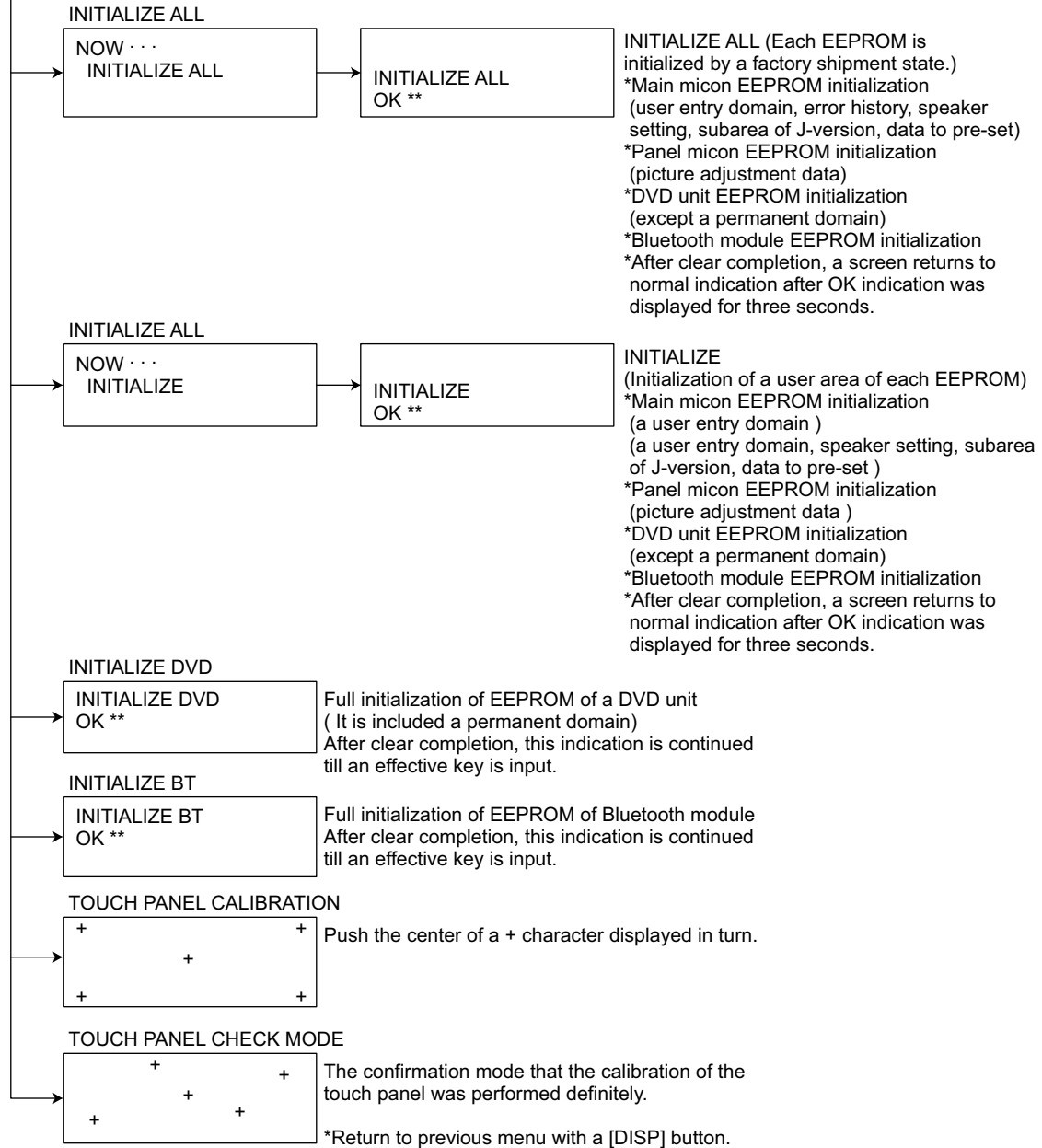
4.6.2 Service mode 2

Keep this state more 2 seconds
[MENU or TP/PTY] button, [DISP]
button and TOUCH PANEL [DOWN]
button sequentially.

Screen indication

SERVICE MODE 2
INITIALIZE ALL
INITIALIZE
INITIALIZE DVD
INITIALIZE BT
TOUCH PANEL CALIBRATION
TOUCH PANEL CHECK MODE

Exchanging it operate a menu of a service mode with the [UP] button
and [DOWN] button. Operate choice of a menu with a [ENTER] button.



4.6.3 Service mode 3

Keep this state more 2 seconds while continuing pressing the [MENU or TP/PTY] button, [VOLUME -] button and TOUCH PANEL [DOWN] button sequentially.

Screen indication

SERVICE MODE 3
SERVICE MODE
INITIALIZE ALL
RUNNING MODE

Exchanging it operate a menu of a service mode with the [UP] button and [DOWN] button. Operate choice of a menu with a [ENTER] button.

SERVICE MODE

SERVICE MODE
VERSION
AREA/REGION
TEMPERATURE
MEMORY CHECK
DVD NTSC/PAL
DVD CHECK MODE

*Exchanging it operate a menu of a service mode with the [UP] button and [DOWN] button.
*Operate choice of a menu with a [ENTER] button.
*Return to previous menu with a [BACK] button.

SERVICE MODE
ERROR READ
ERROR CLEAR
BT VERSION

VERSION
MAIN V**** [*]
DISC ****
Macrovision ****
PN V**** V**** [*] V**** * *
SW BT MODULE V***

Micon version indication
*Main micon version and ROM correction version
*DVD module version
*Macrovision version
*Panel micon version and ROM correction version

*Software version of BT module

AREA/REGION
SYS-AREA : **
DISC-AREA : **
REGION : *
PANEL-AREA : **

Area and region indication
Main micon area
DVD module area
Region

Panel area

TEMPERATURE Temperature data reading

*Temperature data by the temperature sensor in the main micon and DVD module is read every 5 seconds and displayed in hex numbers.

MEMORY CHECK (It is displayed only at the time of the disc insertion)

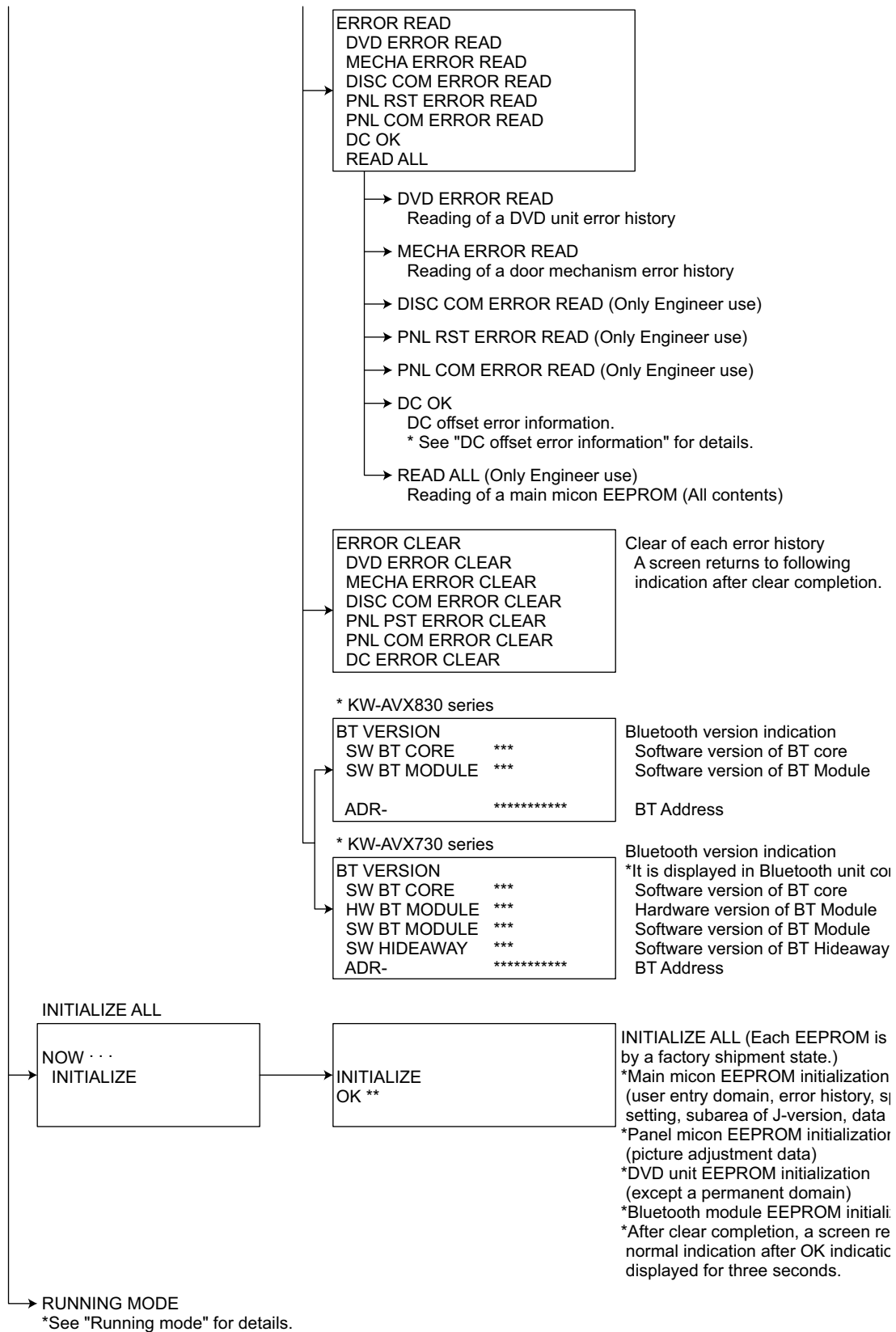
Memory residual quantity indication mode
*Data residual quantity of a disc is displayed by LCD.
*About the playback control-related key ([FSKIP], [BSKIP], [UP], [DOWN], [VOL]), only movement is effective.
Indication does not change as memory residual quantity indication.
*About cancellation of this mode, press the [STANDBY/ON ATTENUATOR] button.

DVD NTSC/PAL
NTSC
PAL

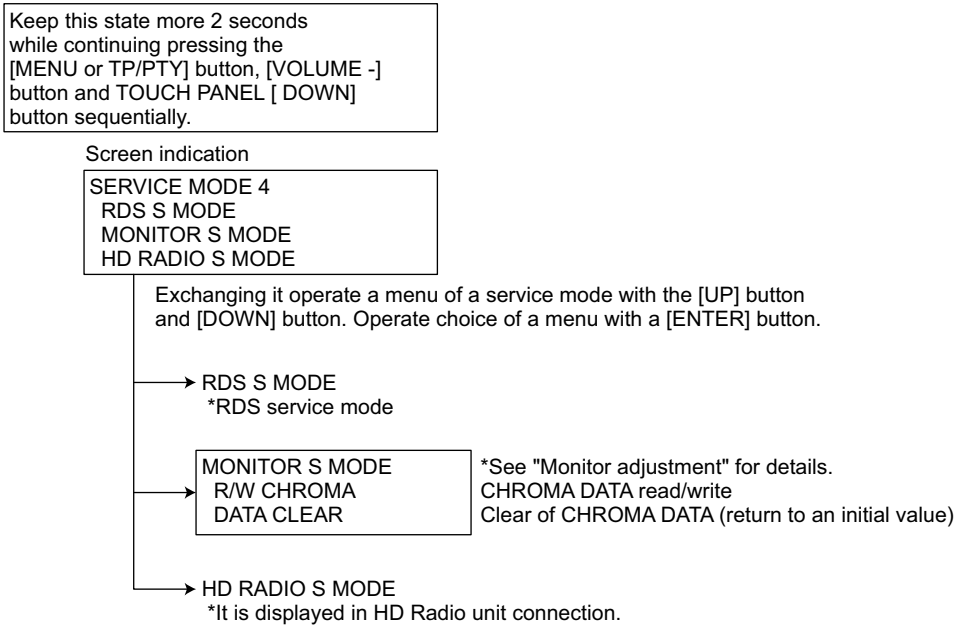
DVD picture change
DVD unit output picture setting (NTSC)
DVD unit output picture setting (PAL)

DVD CHECK MODE

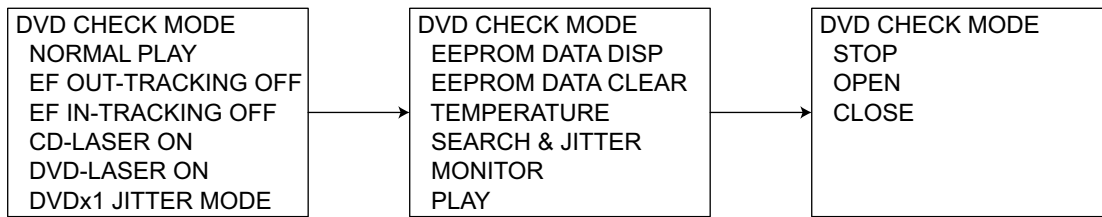
*See "DVD CHECK MODE" for details.



4.6.4 Service mode 4



4.7 DVD check mode

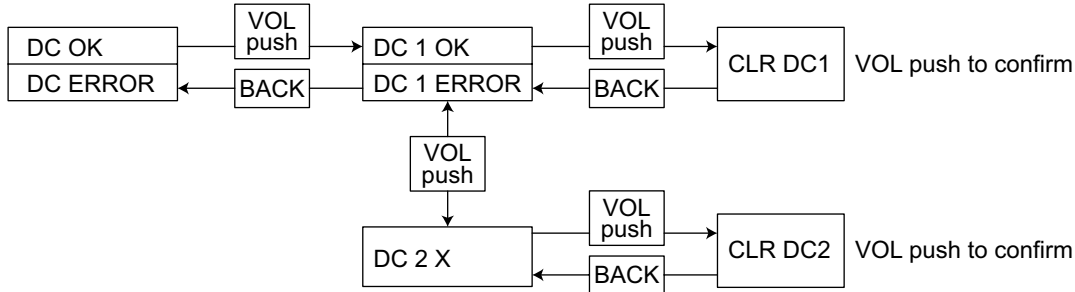


Exchanging it operate a menu of a service mode with the [UP] button and [DOWN] button. Operate choice of a menu with a [ENTER] button.

Command	Mechanism unit operation	Indication contents
NORMAL PLAY	Start at normal speed (After start, jitter is measured by an inner position.)	Laser current value, jitter value
EF OUT-TRACKING OFF	Tracking off the outermost position of CD	For EF phase error
EF IN-TRACKING OFF	Tracking off the innermost position of CD	For EF phase error
CD-LASER ON	CD_LD lights and laser current is displayed.	Laser current value, jitter value
DVD-LASER ON	DVD x1 jitter measuring mode (for use in mechanism adjustment)	Laser current value, jitter value
EEPROM DATA DISP	Contents of EEPROM is displayed.	EEPROM address EEPROM contents
EEPROM DATA CLEAR	Contents of EEPROM is initialized.	EEPROM address EEPROM contents
TEMPERATURE	Temperature indication	Temperature is displayed in hex numbers.
SEARCH & JITTER	The search and jitter measurement to an appointed position of DVD.	Position measured with VT-501 jitter value
MONITOR	Monitor terminal setting	
DVDx1 PLAY	DVD x1 stopped start (After start, jitter is measured by an inner position.)	Not displayed.
STOP	Disc stopped, LD-OFF	Not displayed.
EJECT	EJECT	Not displayed.
LOAD	LOADING	Not displayed.
EEPROM DATA OSD		EEPROM DATA (Only Engineer use)

4.8 DC offset error information

Display indication



4.8.1 DC offset error distinction.

(1) DC ERROR 1

When improper connection or other DC offset errors are detected.

"PROTECT" blinks to the display.

It is possible to return even times how many by reset.

(2) DC ERROR 2

When the DC offset error is detected due to the trouble of the capacitor.

- The number of times that detected in the case of less than 3 times.

"PROTECT" blinks to the display.

It is possible to return to the 3rd times by reset.

- When the detected number becomes 4 times.

"PROTECT" lights to the display.

It is fixed that trouble occurs internally, and reset doesn't return either.

(Operation other than the Power on/off, Eject, Reset, and Service mode are prohibited with "PROTECT" lit.

4.8.2 Error content confirmation.

Whether it turns on power and the "PROTECT" display appears are confirmed.

(1) When the "PROTECT" display appears.

The content of the DC offset error is confirmed in the Service mode.

* Because it takes DC offset protection, the following is displayed.

(1-1) When "DC1 ERROR" is displayed. (DC ERROR1)

- Forecast cause

It comes in contact with improper connection or GND of the speaker wiring.

It is confirmed that there is no improper connection of the speaker wiring and pushes reset.

- When "PROTECT" is not displayed, it is unquestionable.

The error data of EEPROM, it deletes it. (CLR DC1)

- When "PROTECT" is still displayed.

The DC offset has been generated by the reasons other than the improper connection.

Forecast cause: Power AMP is broken.

After parts are exchanged, reset is confirmed pushing again.

(1-2) When "DC2 X" is displayed. (DC ERROR2)

* As for X, the detected number is displayed. (0-4)

* When X is 0, it is unquestionable because the DC offset has never been detected.

When leak of capacitor is detected, it is displayed.

It is confirmed that there is no problem in the capacitor and deletes the error data of EEPROM. (CLR DC2)

It is confirmed that reset is pushed and "PROTECT" is not displayed.

After above-mentioned (1-1) and (1-2) are executed, the connect of the DC offset error is confirmed in the Service mode.

If the part displayed as "DC ERROR" becomes "DC OK", it is unquestionable.

(2) When the "PROTECT" display doesn't appear.

The content of the DC offset error is confirmed in the Service mode.

(2-1) When "DC OK" is displayed, it is unquestionable because the DC offset has not been detected in the past.

(2-2) When "DC ERROR" is displayed, the confirmation similar to (1-1) and (1-2) is done because there is a history that detected the DC offset error in the past.

4.9 Error code tables

4.9.1 Mechanism error code

Error contents	Details	Error code	Detailed error code
Disc loading error (3) D1 time out		09	0013
Eject error (3) B1 time out (4) C1 time out		01 01	0023 0024
Error in loading wait	Loading of a running mode Disc was pulled out in a wait.	09	0031

4.9.2 Disc error code

Error contents	Details	Error code	Detailed error code
TOC read error	TOC lead movement of a CD is not completed.	84	0059
First track access error	Even if TOC reading passes after the end with CD running mode for 30 seconds, the first track access is not finished.	80	0060
Last track access error	Even if first track passes after the end with CD running mode for 30 seconds, the last track access is not finished.	80	0061
T1 access error	Even if T1 access passes in a DVD running mode for 30 seconds, it is not finished.	80	0069
T12 access error	Even if T12 access passes in a DVD running mode for 30 seconds, it is not finished.	80	0070
T24 access error	Even if T24 access passes in a DVD running mode for 30 seconds, it is not finished.	80	0071
Read-in area read error	Read-in area read operation of DVD is not completed.	84	0072
DVD L1 layer adjustment error	Adjustment of L1 layer of DVD is not finished normally. (including focus jump failure)	80	0074
DVD L0 layer adjustment error	Adjustment of L0 layer of DVD is not finished normally. (including focus jump failure)	80	0075
NO DISC judgment	Judgment without disc	80	0090
It is NO DISC by start failure	Start is impossible	80	0091
It is stopped by playback inability.	Stop in running mode playback	80	0093
Logic format NG	Logic format analysis inability or non-correspondence logic format	80	0094
Seek access error	It cannot arrive at an aim address even if it passes for 15 seconds.	80	0095

4.9.3 Error codes of panel mechanism

* As for two columns of the beginning of the error code, as for error contents, two columns of middle, number of the pulse counts, last two columns are a purpose position and movement directions.

Error contents	code
Time out	OB
Position error by the external force	OC
Abnormal voltage (1)	F3
Abnormal voltage (2)	F5
Abnormal voltage (3)	F7
Abnormal voltage (4)	F8

When assumed last two columns XY:, as for X, as for purpose position, Y, is a movement direction.

Purpose position	X
CLOSE	1
5 degrees	2
10 degrees	3
15 degrees	4
20 degrees	5
25 degrees	6
30 degrees	7
OPEN	8

Movement direction	Y
Open direction	0
Close direction	1

Detail	Error code
It is time-out during movement to the closed position.	0B**11
It is time-out during 5 degrees tilt movement.(open direction)	0B**20
It is time-out during 5 degrees tilt movement.(close direction)	0B**21
It is time-out during 10 degrees tilt movement.(open direction)	0B**30
It is time-out during 10 degrees tilt movement.(close direction)	0B**31
It is time-out during 15 degrees tilt movement.(open direction)	0B**40
It is time-out during 15 degrees tilt movement.(close direction)	0B**41
It is time-out during 20 degrees tilt movement.(open direction)	0B**50
It is time-out during 20 degrees tilt movement.(close direction)	0B**51
It is time-out during 25 degrees tilt movement.(open direction)	0B**60
It is time-out during 25 degrees tilt movement.(close direction)	0B**61
It is time-out during 30 degrees tilt movement.(open direction)	0B**70
It is time-out during 30 degrees tilt movement.(close direction)	0B**71
It is time-out during movement to the open position.	0B**80
It is position error during close position stop.	0C0011
It is position error during 5 degree tilt position stop.	0C0020
It is position error during 10 degree tilt position stop.	0C0030
It is position error during 15 degree tilt position stop.	0C0040
It is position error during 20 degree tilt position stop.	0C0050
It is position error during 25 degree tilt position stop.	0C0060
It is position error during 30 degree tilt position stop.	0C0070
It is position error during open position stop.	0C0080
Detect abnormal voltage (1)	F3**XY
Detect abnormal voltage (2)	F5**XY
Detect abnormal voltage (3)	F7**XY
Detect abnormal voltage (4)	F8**XY

Note: "****" of the above error code is the number of the pulse counts at the time of the error outbreak.

4.10 Running mode

Indication	Explanation	Operation contents of 1 cycle	In mecha error	In disc error
RUNNING1 MECHA	Door mecha running 1	Panel close ↔ Panel open	-	-
RUNNING2 MECHA	Door mecha running 2	Panel close → 5 degrees → 10 degrees → 15 degrees → 20 degrees → 25 degrees → 30 degrees → Panel open	-	-
RUNNING3 MECHA	Door mecha running 3	Panel → close → 5 degrees → → 30 degrees → → 5 degrees → Panel close	-	-
RUNNING4 DVD	DVD+Door mecha running1	Loading → Eject → Wait for 5 seconds+Door open/close	Stop	-
RUNNING5 DVD	DVD+Door mecha running2	Loading → Eject → Wait for 5 seconds+Door open/close	Retry	-
RUNNING6 DVD	DVD+Door mecha running3	Loading → Playback → Eject → Wait for 5 seconds+Door open/close	Stop	Stop
RUNNING7 DVD	DVD+Door mecha running4	Loading → Playback → Eject → Wait for 5 seconds+Door open/close	Retry	Stop
RUNNING8 DVD	DVD+Door mecha running5	Loading → Playback → Eject → Wait for 5 seconds+Door open/close	Stop	Retry
RUNNING9 DVD	DVD+Door mecha running6	Loading → Playback → Eject → Wait for 5 seconds+Door open/close	Retry	Retry

* Cancellation of running1,2 and 3 : Press the [EJECT] key

* In running 1,2 and 3 cancellation, a door does not stop at the position and moves to a panel position.

* Cancellation of running4 to 9 : Press the [POWER] key

* The number of count and an error cord are displayed in running.

Playback contents in a running mode

- CD
The first track is played for 30 seconds. → The last track is played for 30 seconds.
(The last track is played in the case of less than till the last for 30 seconds.)

- DVD
2layer disc (Pit disc)
Title 1 (the L0 layer internal circumference) is played for 30 seconds. → Title 12 (L0 layer circumference) is played for 30 seconds.
→ Title 24 (L1layer internal circumference) is played for 30 seconds.

- 2layer disc (Recordable disc)
Title 1 (the L0 layer internal circumference) is played for 30 seconds. → Title 13 (L0 layer circumference) is played for 30 seconds.
→ Title 24 (L1layer internal circumference) is played for 30 seconds.

- 1layer disc
First chapter of title 1 is played for 30 seconds. → The last chapter of title 1 is played for 30 seconds.

4.11 Monitor adjustment

* When adjusting, switch on the main unit and insert a test disc (VT-501). And play the test disc and pause it.

- (1) Set the service mode 4.
- (2) Exchanging it operate a menu of a service mode with the [UP] button and [DOWN] button.
- (3) Change data with the [B.SKIP]/[F.SKIP] buttons.
- (4) Write data with a [ENTER] button.

R/W CHROMA

Indication	Minimum value	Maximum value	Initial value	----	Detail
00001	00000	00001	00000	Fix	Color amplitude revision ON/OFF
00002	00000	00003	00000	Adjust	Color amplitude revision CAS
00003	00000	00063	00000	Adjust	Color amplitude revision APC
00004	00000	00003	00000	Adjust	Color amplitude revision CUS
00005	00000	00063	00000	Adjust	Color amplitude revision APU
00006	00000	00001	00000	Adjust	Black level extension ON/OFF
00007	00000	00001	00001	Fix	Black level extension FUNCTION
00008	00000	00511	00176	Adjust	Black level extension START POINT
00009	00000	00511	00128	Adjust	Black level extension OFFSET
00010	00000	00255	00128	Adjust	Enhancer revision effect adjustment (NTSC)
00011	00000	00255	00128	Adjust	Enhancer revision effect adjustment (PAL)
00012	00000	00255	00064	Adjust	Limiter of the horizontal enhancer (NTSC)
00013	00000	00255	00068	Adjust	Limiter of the horizontal enhancer (PAL)
00014	00000	00255	00000	Adjust	Filter choice of the horizontal enhancer (NTSC)
00015	00000	00255	00000	Adjust	Filter choice of the horizontal enhancer (PAL)
00016	00000	00003	00001	Adjust	Tap change of the brightness outline revision (NTSC)
00017	00000	00003	00001	Adjust	Tap change of the brightness outline revision (PAL)
00018	00000	00127	00000	Adjust	Adjustment of the quantity of brightness outline core ring (NTSC)
00019	00000	00127	00000	Adjust	Adjustment of the quantity of brightness outline core ring (PAL)
00020	00000	00006	00000	Adjust	Adjustment of the brightness outline revision gain (NTSC)
00021	00000	00006	00000	Adjust	Adjustment of the brightness outline revision gain (PAL)
00022	00000	00255	00125	Adjust	Change in TINT of the whole picture (NTSC)
00023	00000	00255	00125	Adjust	Change in TINT of the whole picture (PAL)
00024	00000	00255	00090	Adjust	Change with the deepness of the color of the whole picture (NTSC)
00025	00000	00255	00100	Adjust	Change with the deepness of the color of the whole picture (PAL)
00026	00000	00255	00131	Adjust	Tint adjustment (NTSC)
00027	00000	00255	00131	Adjust	Tint adjustment (PAL)
00028	00000	00255	00043	Adjust	Color adjustment (NTSC)
00029	00000	00255	00043	Adjust	Color adjustment (PAL)
00030	00000	00511	00094	Fix	Set the offset DC of the input video signal (NTSC)
00031	00000	00511	00094	Fix	Set the offset DC of the input video signal (PAL)
00032	00000	00001	00000	Adjust	Quantity of transmission revision of the YUV DC
00033	00000	00255	00016	Adjust	Quantity of transmission revision of the YUV DC
00034	00000	01023	00320	Adjust	Contrast adjustment between the black - white (NTSC)
00035	00000	01023	00322	Adjust	Contrast adjustment between the black - white (PAL)
00036	00000	00511	00348	Adjust	Conversion coefficients from YUV to RGB (PRCL)
00037	00000	00255	00210	Adjust	Conversion coefficients from YUV to RGB (PBCL)
00038	00000	00255	00210	Adjust	Conversion coefficients from YUV to RGB (YCL)
00039	00000	00255	00158	Adjust	Conversion coefficients from YUV to RGB (BCL)
00040	00000	00511	00267	Adjust	Conversion coefficients from YUV to RGB (RCL)

Indication	Minimum value	Maximum value	Initial value	----	Detail
00041	00000	00001	00001	Fix	Noise shaving (NTSC)
00042	00000	00001	00001	Fix	Noise shaving (PAL)
00043	00000	00127	00027	Adjust	Black level adjustment (NTSC)
00044	00000	00127	00026	Adjust	Black level adjustment (PAL)
00045	00000	00127	00058	Adjust	Gain setting of Red signal (NTSC)
00046	00000	00127	00059	Adjust	Gain setting of Red signal (PAL)
00047	00000	00127	00057	Adjust	Gain setting of Green signal (NTSC)
00048	00000	00127	00059	Adjust	Gain setting of Green signal (PAL)
00049	00000	00127	00054	Adjust	Gain setting of Blue signal (NTSC)
00050	00000	00127	00053	Adjust	Gain setting of Blue signal (PAL)
00051	00000	00127	00059	Adjust	Set the cut-off of the Red signal (NTSC)
00052	00000	00127	00059	Adjust	Set the cut-off of the Red signal (PAL)
00053	00000	00127	00059	Adjust	Set the cut-off of the Green signal (NTSC)
00054	00000	00127	00059	Adjust	Set the cut-off of the Green signal (PAL)
00055	00000	00127	00061	Adjust	Set the cut-off of the Blue signal (NTSC)
00056	00000	00127	00061	Adjust	Set the cut-off of the Blue signal (PAL)
00057	00000	00001	00000	Adjust	ON/OFF change of the gamma revision
00058	00000	00255	00007	Adjust	Adjust 1 gamma revision point position of a Red signal
00059	00000	00255	00015	Adjust	Adjust 2 gamma revision point position of a Red signal
00060	00000	00255	00023	Adjust	Adjust 3 gamma revision point position of a Red signal
00061	00000	00255	00031	Adjust	Adjust 4 gamma revision point position of a Red signal
00062	00000	00255	00039	Adjust	Adjust 5 gamma revision point position of a Red signal
00063	00000	00255	00047	Adjust	Adjust 6 gamma revision point position of a Red signal
00064	00000	00255	00055	Adjust	Adjust 7 gamma revision point position of a Red signal
00065	00000	00255	00032	Adjust	Appoint gamma revision gain 1 of the Red signal
00066	00000	00255	00032	Adjust	Appoint gamma revision gain 2 of the Red signal
00067	00000	00255	00032	Adjust	Appoint gamma revision gain 3 of the Red signal
00068	00000	00255	00032	Adjust	Appoint gamma revision gain 4 of the Red signal
00069	00000	00255	00032	Adjust	Appoint gamma revision gain 5 of the Red signal
00070	00000	00255	00032	Adjust	Appoint gamma revision gain 6 of the Red signal
00071	00000	00255	00032	Adjust	Appoint gamma revision gain 7 of the Red signal
00072	00000	00255	00032	Adjust	Appoint gamma revision gain 8 of the Red signal
00073	00000	00255	00007	Adjust	Adjust 1 gamma revision point position of a Green signal
00074	00000	00255	00015	Adjust	Adjust 2 gamma revision point position of a Green signal
00075	00000	00255	00023	Adjust	Adjust 3 gamma revision point position of a Green signal
00076	00000	00255	00031	Adjust	Adjust 4 gamma revision point position of a Green signal
00077	00000	00255	00039	Adjust	Adjust 5 gamma revision point position of a Green signal
00078	00000	00255	00047	Adjust	Adjust 6 gamma revision point position of a Green signal
00079	00000	00255	00055	Adjust	Adjust 7 gamma revision point position of a Green signal
00080	00000	00255	00032	Adjust	Appoint gamma revision gain 1 of the Green signal
00081	00000	00255	00032	Adjust	Appoint gamma revision gain 2 of the Green signal
00082	00000	00255	00032	Adjust	Appoint gamma revision gain 3 of the Green signal
00083	00000	00255	00032	Adjust	Appoint gamma revision gain 4 of the Green signal
00084	00000	00255	00032	Adjust	Appoint gamma revision gain 5 of the Green signal
00085	00000	00255	00032	Adjust	Appoint gamma revision gain 6 of the Green signal
00086	00000	00255	00032	Adjust	Appoint gamma revision gain 7 of the Green signal

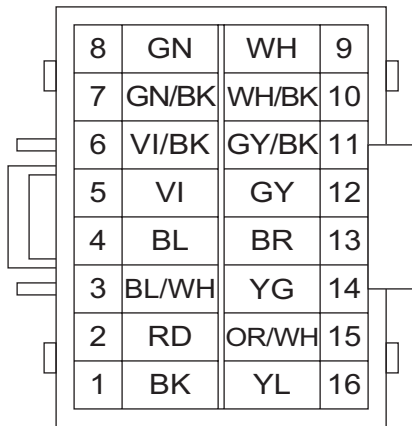
Indication	Minimum value	Maximum value	Initial value	----	Detail
00087	00000	00255	00032	Adjust	Appoint gamma revision gain 8 of the Green signal
00088	00000	00255	00007	Adjust	Adjust 1 gamma revision point position of a Blue signal
00089	00000	00255	00015	Adjust	Adjust 2 gamma revision point position of a Blue signal
00090	00000	00255	00023	Adjust	Adjust 3 gamma revision point position of a Blue signal
00091	00000	00255	00031	Adjust	Adjust 4 gamma revision point position of a Blue signal
00092	00000	00255	00039	Adjust	Adjust 5 gamma revision point position of a Blue signal
00093	00000	00255	00047	Adjust	Adjust 6 gamma revision point position of a Blue signal
00094	00000	00255	00055	Adjust	Adjust 7 gamma revision point position of a Blue signal
00095	00000	00255	00032	Adjust	Appoint gamma revision gain 1 of the Blue signal
00096	00000	00255	00032	Adjust	Appoint gamma revision gain 2 of the Blue signal
00097	00000	00255	00032	Adjust	Appoint gamma revision gain 3 of the Blue signal
00098	00000	00255	00032	Adjust	Appoint gamma revision gain 4 of the Blue signal
00099	00000	00255	00032	Adjust	Appoint gamma revision gain 5 of the Blue signal
00100	00000	00255	00032	Adjust	Appoint gamma revision gain 6 of the Blue signal
00101	00000	00255	00032	Adjust	Appoint gamma revision gain 7 of the Blue signal
00102	00000	00255	00032	Adjust	Appoint gamma revision gain 8 of the Blue signal
00103	00000	00255	00110	Adjust	Adjust the horizontal indication point of the picture (NTSC)
00104	00000	00255	00110	Adjust	Adjust the horizontal indication point of the picture (PAL)
00105	00000	00255	00026	Adjust	Adjust the vertical indication point of the picture (NTSC)
00106	00000	00255	00026	Adjust	Adjust the vertical indication point of the picture (PAL)
00107	00000	00127	00042	Adjust	AD clock gain adjustment (NTSC)
00108	00000	00127	00042	Adjust	AD clock gain adjustment (PAL)
00109	00000	00007	00001	Adjust	Noise reduction of the Y signal (NTSC)
00110	00000	00007	00001	Adjust	Noise reduction of the Y signal (PAL)
00111	00000	00003	00032	Adjust	Choose a YC separation filter (NTSC)
00112	00000	00003	00048	Adjust	Choose a YC separation filter (PAL)
00113	00000	00007	00000	Adjust	Color pulling out filter setting (NTSC)
00114	00000	00007	00000	Adjust	Color pulling out filter setting (PAL)
00115	00000	00007	00001	Adjust	Choose com movement mode and color BPF (NTSC)
00116	00000	00007	00004	Adjust	Choose com movement mode and color BPF (PAL)
00117	00000	01023	00180	Adjust	Vertical dot cancellation setting (NTSC)
00118	00000	01023	00180	Adjust	Vertical dot cancellation setting (PAL)
00119	00000	00063	00001	Adjust	Noise reduction setting (NTSC)
00120	00000	00063	00001	Adjust	Noise reduction setting (PAL)
00121	00000	01023	00338	Adjust	Quantity of brightness adjustment setting (NTSC)
00122	00000	01023	00338	Adjust	Quantity of brightness adjustment setting (PAL)
00123	00000	00255	00168	Adjust	Brightness gain adjustment (NTSC)
00124	00000	00255	00168	Adjust	Brightness gain adjustment (PAL)
00125	00000	00511	00140	Adjust	Color signal output level setting (NTSC)
00126	00000	00511	00096	Adjust	Color signal output level setting (PAL)
00127	00000	00006	00004	Adjust	ACC movement mode setting
00128	00000	00255	00033	Adjust	C signal filter characteristic setting of the Y/C separation part (NTSC)
00129	00000	00255	00033	Adjust	C signal filter characteristic setting of the Y/C separation part (PAL)
00130	00000	16383	02464	Adjust	Amplitude killer off level setting
00131	00000	16383	02472	Adjust	Amplitude killer on level setting
00132	00000	00127	00071	Adjust	Clamp DC level adjustment setting

Indication	Minimum value	Maximum value	Initial value	----	Detail
00133	00000	00015	00015	Adjust	Clamp speed adjustment setting
00134	00000	00063	00049	Adjust	Noise filter band setting of horizontal synchronization signal and vertical synchronizing signal (NTSC)
00135	00000	00063	00049	Adjust	Noise filter band setting of horizontal synchronization signal and vertical synchronizing signal (PAL)
00136	00000	65535	14976	Adjust	Horizontal phase comparison gain setting (NTSC)
00137	00000	65535	14976	Adjust	Horizontal phase comparison gain setting (PAL)
00138	00000	00063	00055	Adjust	Horizontal loop filter setting 1
00139	00000	00015	00010	Adjust	Horizontal loop filter setting 2
00140	00000	00015	00007	Adjust	Horizontal loop filter setting 3
00141	00000	00015	00001	Adjust	Synchronization separation burst clock setting (NTSC)
00142	00000	00015	00001	Adjust	Synchronization separation burst clock setting (PAL)
00143	00000	00255	00252	Adjust	Free run center value setting of horizontal synchronization signal (NTSC)
00144	00000	00255	00252	Adjust	Free run center value setting of horizontal synchronization signal (PAL)
00145	00000	00511	00326	Fix	DOKIDET 01
00146	00000	00511	00082	Fix	DOKIDET 02
00147	00000	00511	00033	Fix	DOKIDET 03
00148	00000	00026	00019	Adjust	Horizontal synchronizing signal beginning position and setting registers (NTSC)
00149	00000	00026	00019	Adjust	Horizontal synchronizing signal beginning position and setting registers (PAL)
00150	00000	00255	00128	Adjust	Subcarrier center frequency setting (NTSC)
00151	00000	00255	00000	Adjust	Unused
00152	00000	00255	00128	Adjust	Subcarrier center frequency setting (PAL)
00153	00000	00255	00000	Adjust	Unused
00154	00000	00255	00018	Adjust	Coordinate the delay of the C signal with a Y signal (NTSC)
00155	00000	00255	00023	Adjust	Coordinate the delay of the C signal with a Y signal (PAL)
00156	00000	00255	00125	Adjust	Coordinate the VCOM amplitude of the LCD (NTSC)
00157	00000	00255	00123	Adjust	Coordinate the VCOM amplitude of the LCD (PAL)
00158	00000	00255	00000	Adjust	Unused
00159	00000	00255	00000	Adjust	Unused
00160	00000	00020	00004	Adjust	Set a variable range of the indication VSYNC frequency (NTSC)
00161	00000	00020	00009	Adjust	Set a variable range of the indication VSYNC frequency (PAL)
00162	00040	00110	00090	Adjust	Set time when indication VSYNC frequency changes (NTSC)
00163	00040	00110	00060	Adjust	Set time when indication VSYNC frequency changes (PAL)
00164	00000	00007	00000	Adjust	CLAMP MODE (NTSC)
00165	00000	00007	00000	Adjust	CLAMP MODE (PAL)

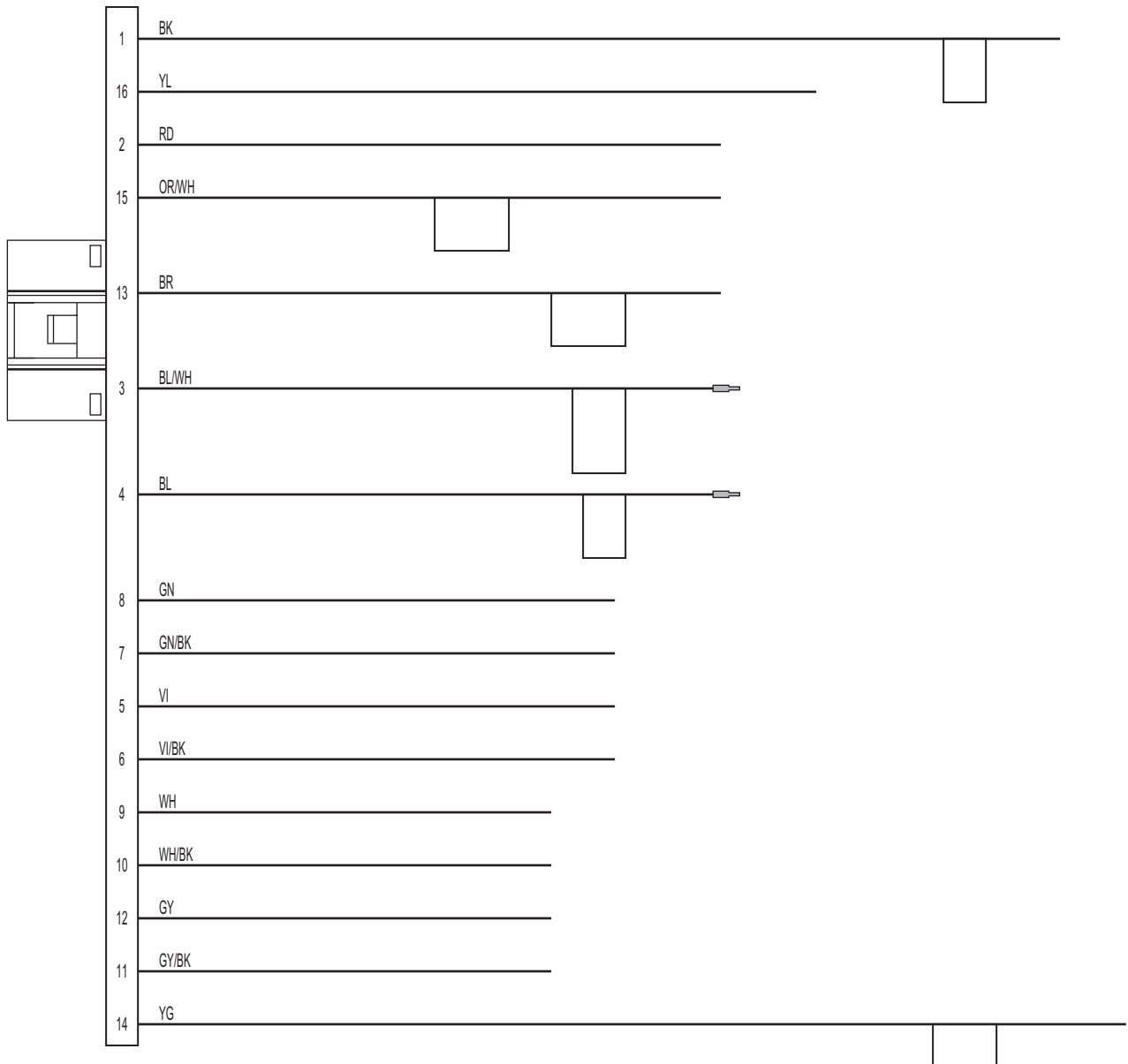
SECTION 5 TROUBLESHOOTING

5.1 16PIN CORD DIAGRAM

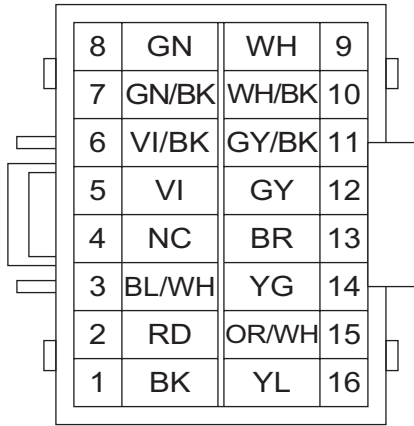
5.1.1 Except Europe



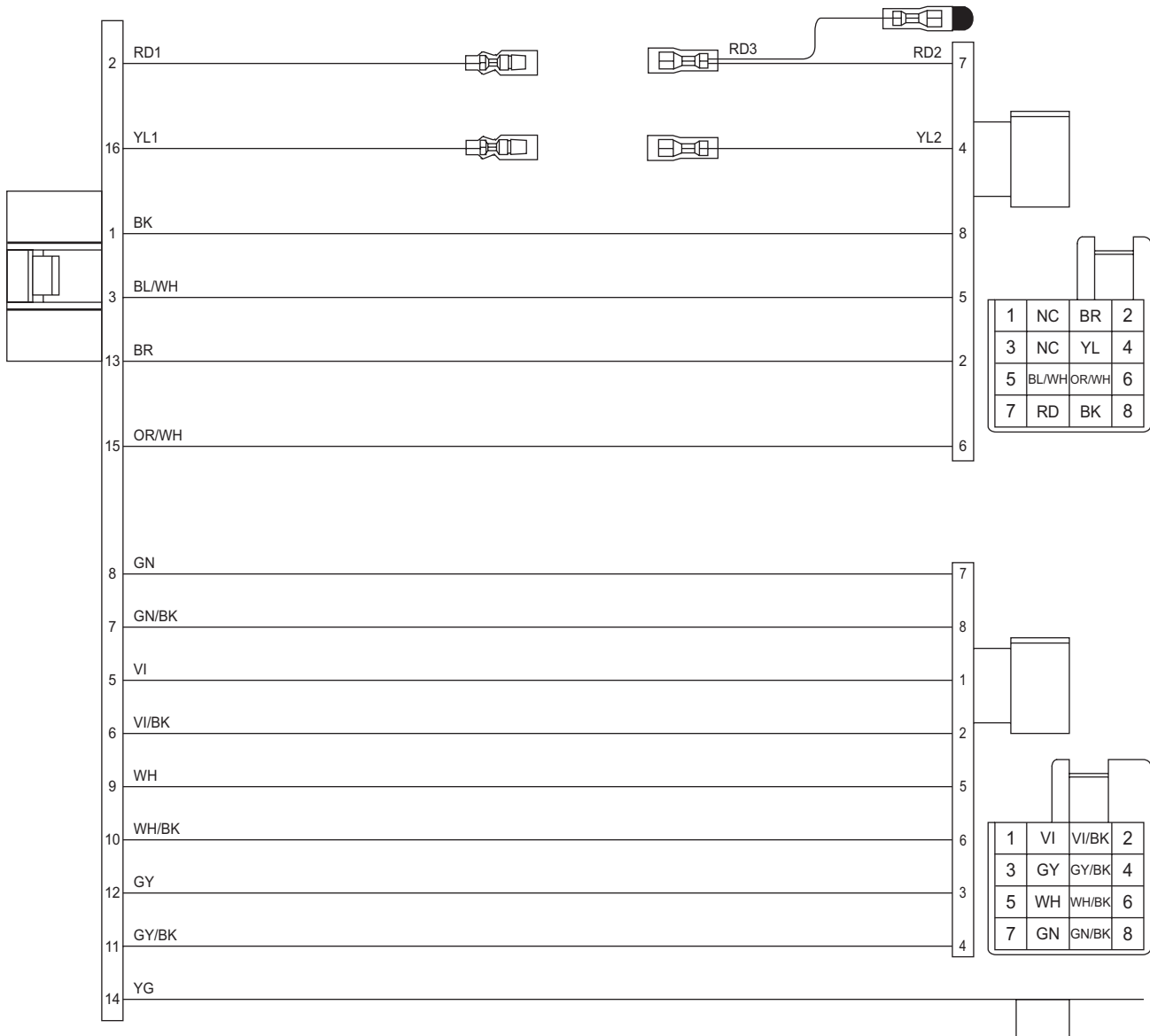
BK	Black	GY	Gray
RD	Red	BR	Brown
BL	Blue	YG	Yellow Green
WH	White	OR	Orange
VI	Violet	YL	Yellow
GN	Green		



5.1.2 For Europe



BK	Black	GY	Gray
RD	Red	BR	Brown
BL	Blue	YG	Yellow Green
WH	White	OR	Orange
VI	Violet	YL	Yellow
GN	Green		



<MEMO>



JVC

Victor Company of Japan, Limited
Mobile Entertainment Division 10-1,1chome,Ohwatari-machi,Maebashi-city,371-8543,Japan

(No.MA473<Rev.002>)

Printed in Japan
VSE



REVISION INFORMATION

DVD RECEIVER WITH MONITOR

KW-ADV793J, KW-AVX730E, KW-AVX730EE, KW-AVX730J, KW-AVX735EU, KW-AVX735U, KW-AVX735UN, KW-AVX736A, KW-AVX736EU, KW-AVX736U, KW-AVX736UN, KW-AVX736UT, KW-AVX736UW, KW-AVX738JW, KW-AVX830E, KW-AVX830J, KW-AVX835EU, KW-AVX835U, KW-AVX835UN, KW-AVX836A, KW-AVX836EU, KW-AVX836U, KW-AVX836UN, KW-AVX836UT, KW-AVX836UW, KW-AVX838JW, KW-AVX838UF

■ OVERVIEW

Add KW-AVX730J.

■ DETAILS

COVER SECTION

Title	Line	No.MA473<Rev.001>	No.MA473<Rev.002>	Description				
Revision		Rev.001	Rev.002					
Issue Date		2010/04	2010/06					
Model No.		KW-ADV793J, KW-AVX730E, KW-AVX730EE, KW-AVX735EU, KW-AVX735U, KW-AVX735UN, KW-AVX736A, KW-AVX736EU, KW-AVX736U, KW-AVX736UN, KW-AVX736UT, KW-AVX736UW, KW-AVX738JW, KW-AVX830E, KW-AVX830J, KW-AVX835EU, KW-AVX835U, KW-AVX835UN, KW-AVX836A, KW-AVX836EU, KW-AVX836U, KW-AVX836UN, KW-AVX836UT, KW-AVX836UW, KW-AVX838JW, KW-AVX838UF	KW-ADV793J, KW-AVX730E, KW-AVX730EE, KW-AVX730J, KW-AVX735EU, KW-AVX735U, KW-AVX735UN, KW-AVX736A, KW-AVX736EU, KW-AVX736U, KW-AVX736UN, KW-AVX736UT, KW-AVX736UW, KW-AVX738JW, KW-AVX830E, KW-AVX830J, KW-AVX835EU, KW-AVX835U, KW-AVX835UN, KW-AVX836A, KW-AVX836EU, KW-AVX836U, KW-AVX836UN, KW-AVX836UT, KW-AVX836UW, KW-AVX838JW, KW-AVX838UF					
Cover Illustration		ILLUSTRATION(ma473_0001.png)	ILLUSTRATION(ma473_0001.png)					
SPECIFICATION	2	KW-AVX838/KW-AVX830/KW-ADV793/KW-AVX738 J/JW	KW-AVX838/KW-AVX830/KW-ADV793/KW-AVX738/KW-AVX730 J/JW					
	11	<table border="1"> <tr> <td>Audio Output Level FRONT OUT, REAR OUT, SUBWOOFER OUT</td> </tr> <tr> <td>Line-Out Level/Impedance 5 V/20 kΩ load (full scale)</td> </tr> </table>	Audio Output Level FRONT OUT, REAR OUT, SUBWOOFER OUT	Line-Out Level/Impedance 5 V/20 kΩ load (full scale)	<table border="1"> <tr> <td>Audio Output Level FRONT OUT, REAR OUT, SUBWOOFER OUT</td> </tr> <tr> <td>Line-Out Level/Impedance 5 V/20 kΩ load (full scale), 2.5 V20 kΩ load (full scale) for KW-AVX730</td> </tr> </table>	Audio Output Level FRONT OUT, REAR OUT, SUBWOOFER OUT	Line-Out Level/Impedance 5 V/20 kΩ load (full scale), 2.5 V20 kΩ load (full scale) for KW-AVX730	
Audio Output Level FRONT OUT, REAR OUT, SUBWOOFER OUT								
Line-Out Level/Impedance 5 V/20 kΩ load (full scale)								
Audio Output Level FRONT OUT, REAR OUT, SUBWOOFER OUT								
Line-Out Level/Impedance 5 V/20 kΩ load (full scale), 2.5 V20 kΩ load (full scale) for KW-AVX730								

STANDARD SCHEMATIC DIAGRAMS

Description of Major ICs

Diagram Name	No.MA473<Rev.001>	No.MA473<Rev.002>	Description
Menu	IC451: JVM452C	IC451: JVM498A	

PARTS LIST

MODEL No. LIST

Model No.	No.MA473<Rev.002>
KW-ADV793J	01
KW-AVX730E	02
KW-AVX730EE	03
KW-AVX730J	04
KW-AVX735EU	05
KW-AVX735U	06
KW-AVX735UN	07
KW-AVX736A	08
KW-AVX736EU	09

Model No.	No.MA473<Rev.002>
KW-AVX736U	0A
KW-AVX736UN	0B
KW-AVX736UT	0C
KW-AVX736UW	0D
KW-AVX738JW	0E
KW-AVX830E	0F
KW-AVX830J	10
KW-AVX835EU	11
KW-AVX835U	12

Model No.	No.MA473<Rev.002>
KW-AVX835UN	13
KW-AVX836A	14
KW-AVX836EU	15
KW-AVX836U	16
KW-AVX836UN	17
KW-AVX836UT	18
KW-AVX836UW	19
KW-AVX838JW	1A
KW-AVX838UF	1B

General assembly [M1MM]

△	Symbol	or	Part No.		Part Name	Description	Qty	Models
			<Rev.001>	<Rev.002>				
	M1MM	36	-----	LV11671-002A	MID CHASSIS	(Addition)	1	04
	M1MM	134	-----	LV39220-001A	NAME PLATE	(Addition)	1	04

DVD mechanism (FMU-XD6-11D) [MJMM]

△	Symbol	or	Part No.		Part Name	Description	Qty	Models
			<Rev.001>	<Rev.002>				
	MJMM	50	CM-FMUXD5D	CM-FMUXD3D	TRA MECHA UNIT		1	01,02,03,04,05,06,07,08,09,0A,0B,0C,0D,0E,0F,10,11,12,13,14,15,16,17,18,19,1A,1B

Panel-A board [02]

△	Symbol	or	Part No.		Part Name	Description	Qty	Models
			<Rev.001>	<Rev.002>				
	02	IC451	-----	JVM498A	PROGRAMED IC	(Addition)	1	04

Packing and accessories [M3MM]

△	Symbol	or	Part No.		Part Name	Description	Qty	Models
			<Rev.001>	<Rev.002>				
	M3MM	A1	-----	LVT2086-001B	INST BOOK	(Addition)	1	04
	M3MM	A2	-----	LVT2086-002B	INST BOOK	(Addition)	1	04
	M3MM	A3	-----	LVT2087-001B	INSTALL MANUAL	(Addition)	1	04
	M3MM	A4	-----	LVT2087-002B	INSTALL MANUAL	(Addition)	1	04
	M3MM	P1	-----	LV39223-001A	CARTON	(Addition)	1	04
	M3MM	P4	-----	QPC03504015PG	POLY BAG	(Addition)	1	04



JVC

Victor Company of Japan, Limited

Mobile Entertainment Division 10-1,1chome,Ohwatari-machi,Maebashi-city,371-8543,Japan



SCHEMATIC DIAGRAMS

DVD RECEIVER WITH MONITOR

KW-ADV793J	KW-AVX730E	KW-AVX730EE
KW-AVX730J	KW-AVX735EU	KW-AVX735U
KW-AVX735UN	KW-AVX736A	KW-AVX736EU
KW-AVX736U	KW-AVX736UN	KW-AVX736UT
KW-AVX736UW	KW-AVX738JW	KW-AVX830E
KW-AVX830J	KW-AVX835EU	KW-AVX835U
KW-AVX835UN	KW-AVX836A	KW-AVX836EU
KW-AVX836U	KW-AVX836UN	KW-AVX836UT
KW-AVX836UW	KW-AVX838JW	KW-AVX838UF



■ PRECAUTIONS ON SCHEMATIC DIAGRAMS

- Due to the improvement in performance, some part numbers shown in the circuit diagrams may not agree with those indicated in the Parts List.
- The parts numbers, values and rated voltage etc. in the Schematic Diagrams are for reference only.
- Since the circuit diagrams are standard ones, the circuits and circuit constants may be subject to change for improvement without any notice.

■ PRECAUTIONS ON PARTS LIST

- The parts identified by the \triangle symbol are critical for safety. Whenever replacing these parts, be sure to use specified ones to secure the safety.
- The parts not indicated in this Parts List and those which are filled with lines --- in the Parts No. columns will not be supplied.
- P.W. BOARD Ass'y will not be supplied, but those which are filled with the Parts No. in the Parts No. columns will be supplied.
- When ordering chips, screws etc., place bulk orders (unit of tens) whenever possible to improve shipping efficiency.
- There are cases where the actual implemented parts in the sets and the service parts are different. When ordering parts, make sure to refer to the Parts List.

■ PRECAUTIONS ON SERVICE

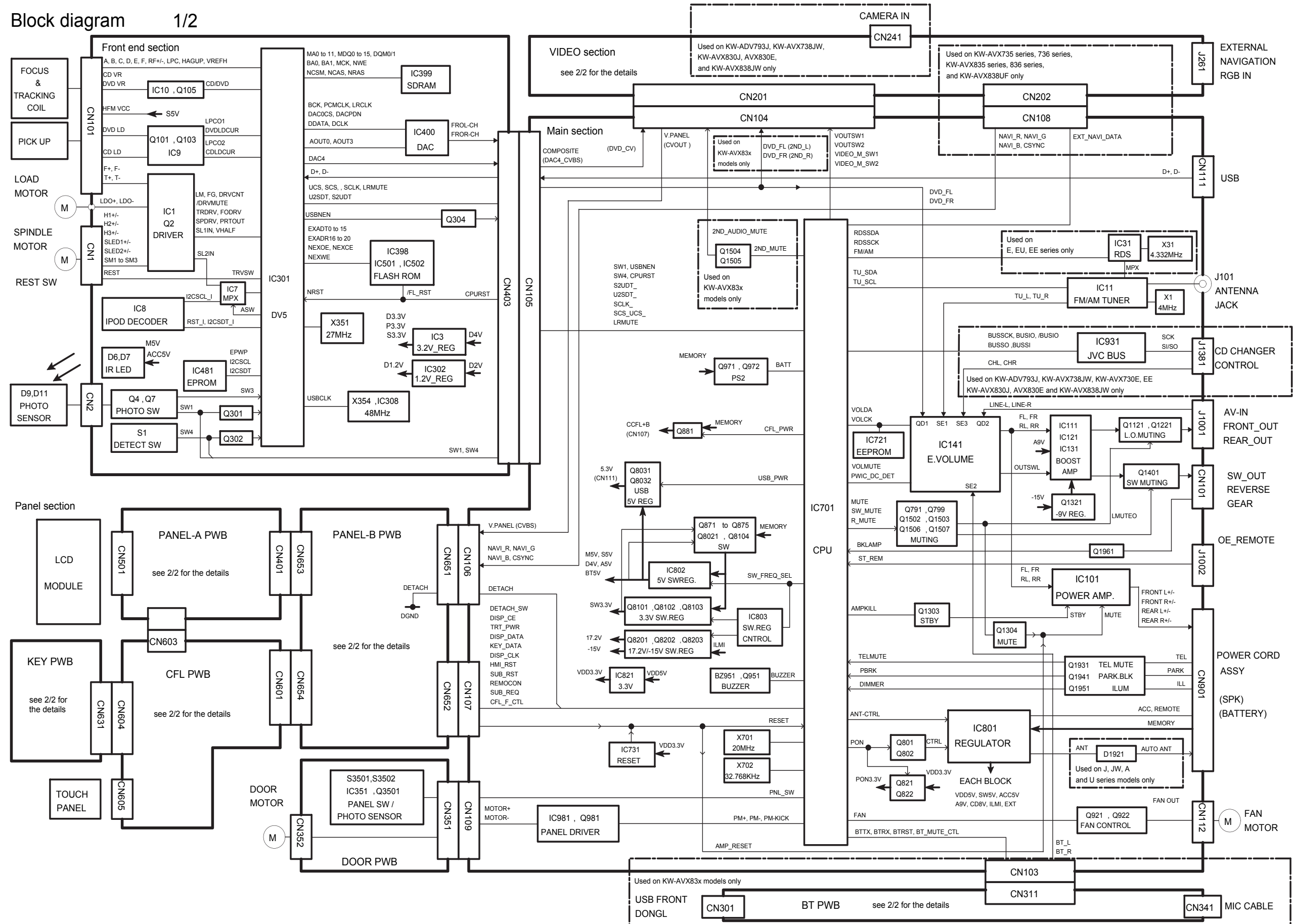
Certain parts of the power circuits and the GNDs differ according to the models. Care must be taken for the following points as the differences are indicated separately in the LIVE GND () and the ISOLATED (NEUTRAL) GND (.

1. Do not touch the LIVE GND, or do not touch the LIVE GND and the ISOLATED (NEUTRAL) GND at the same time. It may cause an electric shock.
Before pulling out the chassis or other parts, make sure to pull out the power cord from the wall outlet first.
2. Do not short circuit between the LIVE GND and ISOLATED (NEUTRAL) GND, or never measure the LIVE GND and ISOLATED (NEUTRAL) GND at the same time using measuring instruments (oscilloscope, etc.). It may blow fuses or damage other parts.

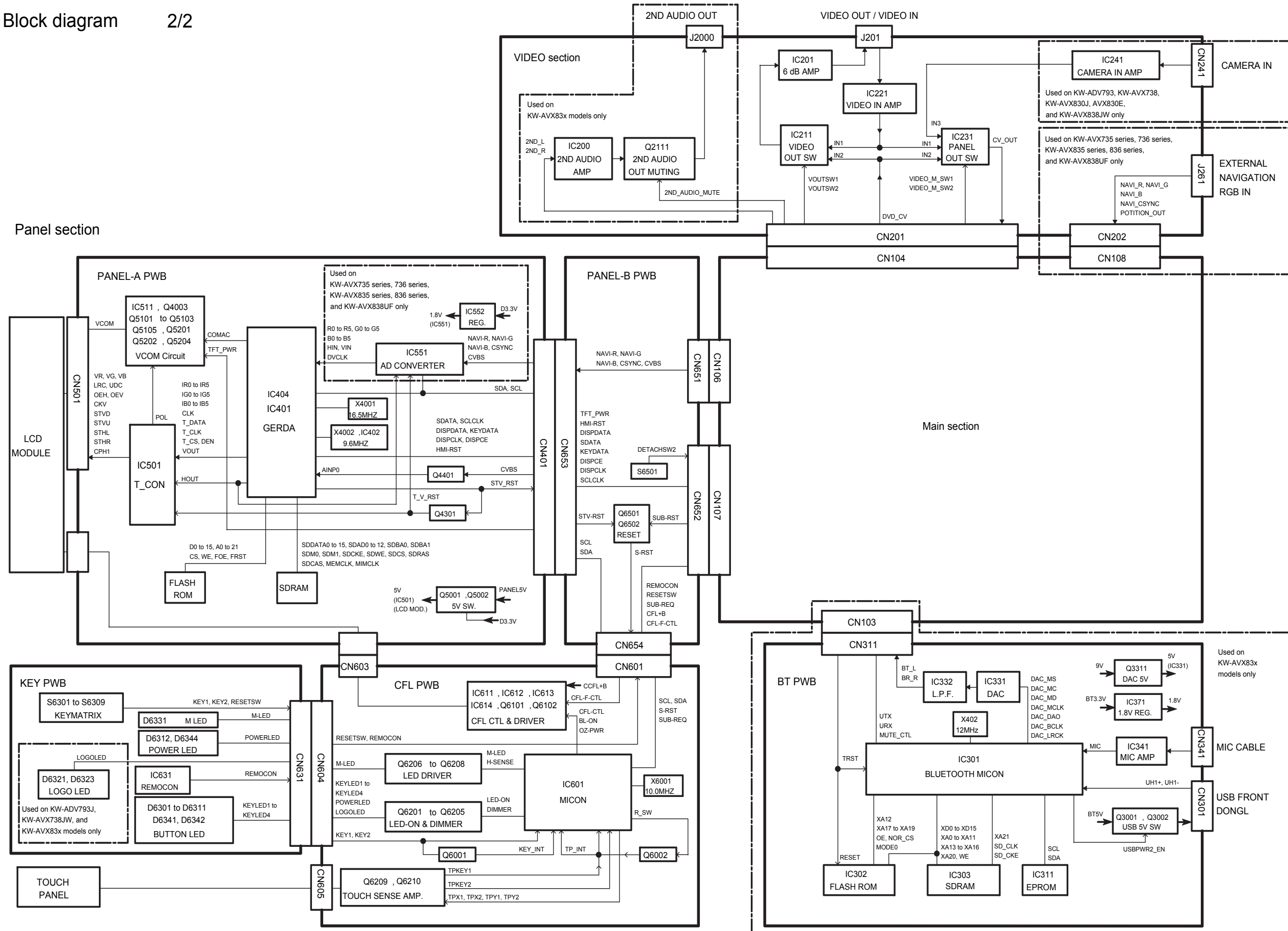
■ DEVIATION TOLERANCE RANGE

DEVIATION TOLERANCE RANGE									
F	G	J	K	M	N	R	H	Z	P
± 1%	± 2%	± 5%	±10%	±20%	±30%	+30% -10%	+50% -10%	+80% -20%	+100% -0%

Block diagram 1/2



Panel section



<Main section 2>

To Main section 1

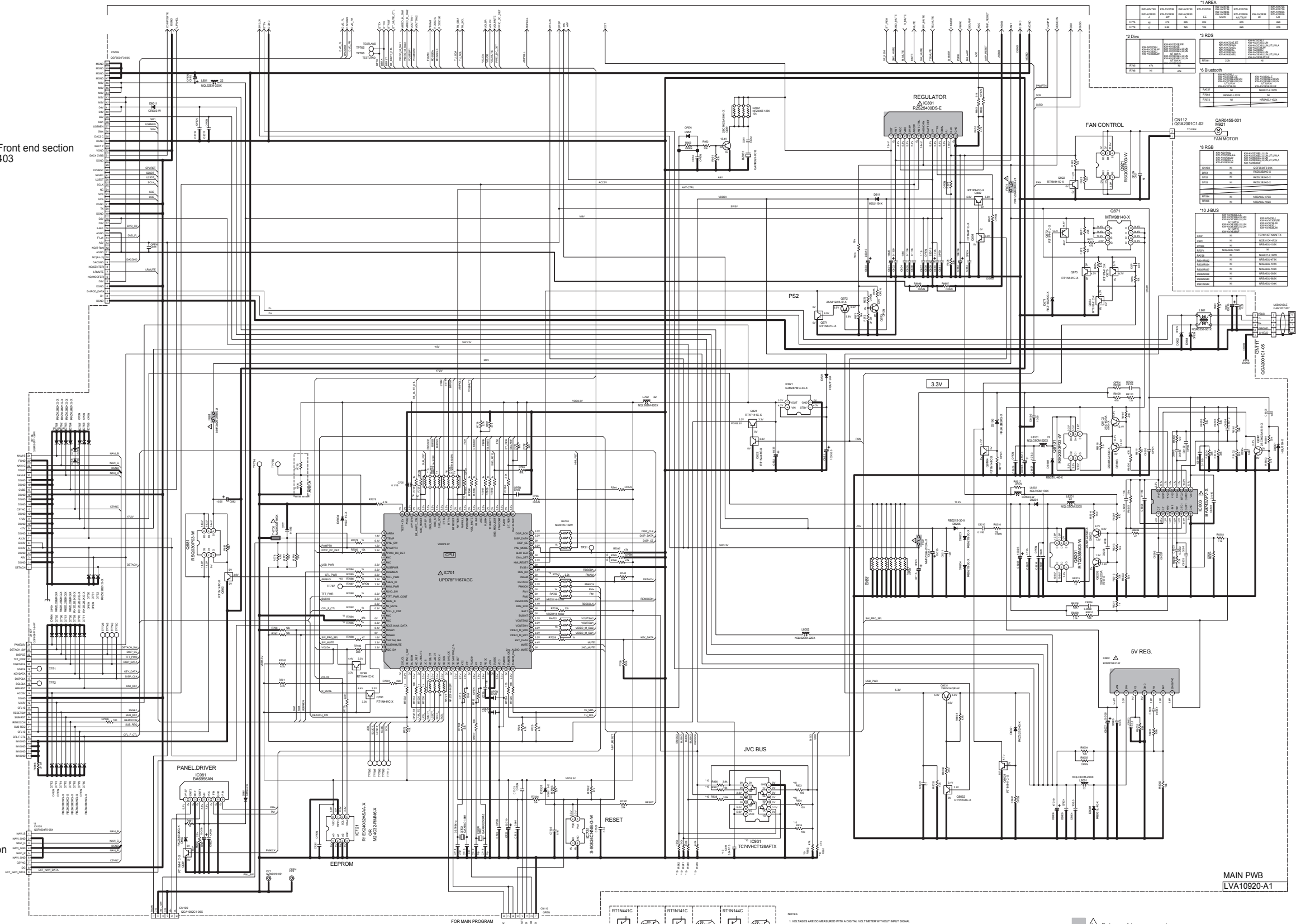
To Front end section
CN403

To Panel-B section
CN651

To Panel-B section
CN652

To Video section
CN202

To Video section
CN351



*1 AREA	
AREA	DESCRIPTION
AREA 1	REGULATOR
AREA 2	FAN MOTOR
AREA 3	PS2
AREA 4	JVC BUS
AREA 5	EEPROM
AREA 6	CONNECTORS
AREA 7	RESISTORS
AREA 8	CAPACITORS
AREA 9	DIODES
AREA 10	TRANSISTORS
AREA 11	ICs
AREA 12	OTHER

RT1N41C	RT1N141C	RT1N144C
RT1P41C	RT1P141C	

- NOTES
- VOLTAGES ARE DC-MEASURED WITH A DIGITAL VOLT METER WITHOUT INPUT SIGNAL.
 - CONDITION: 200 ALPHABETIC NUMBER WITHIN TEST SPEC-100P.
 - UNLESS OTHERWISE SPECIFIED:
 - ALL RESISTORS ARE 1/8W 5% TOLERANCE LEAD RESISTOR.
 - ALL CAPACITORS ARE 50V DC GENERAL PURPOSE.
 - ALL RESISTANCE VALUES ARE IN OHM.
 - ALL CAPACITANCE VALUES ARE IN P.F.
 - ALL CAPACITORS ARE SHOWN IN THE FORM OF CAPACITANCE/WORKING VOLTAGE.
 - F: FILM CAPACITOR
 - IN OR OPEN STANDBY FOR NOT ISOLATED PARTS.

Parts are safety assurance parts.
When replacing those parts make sure to use the specified one.

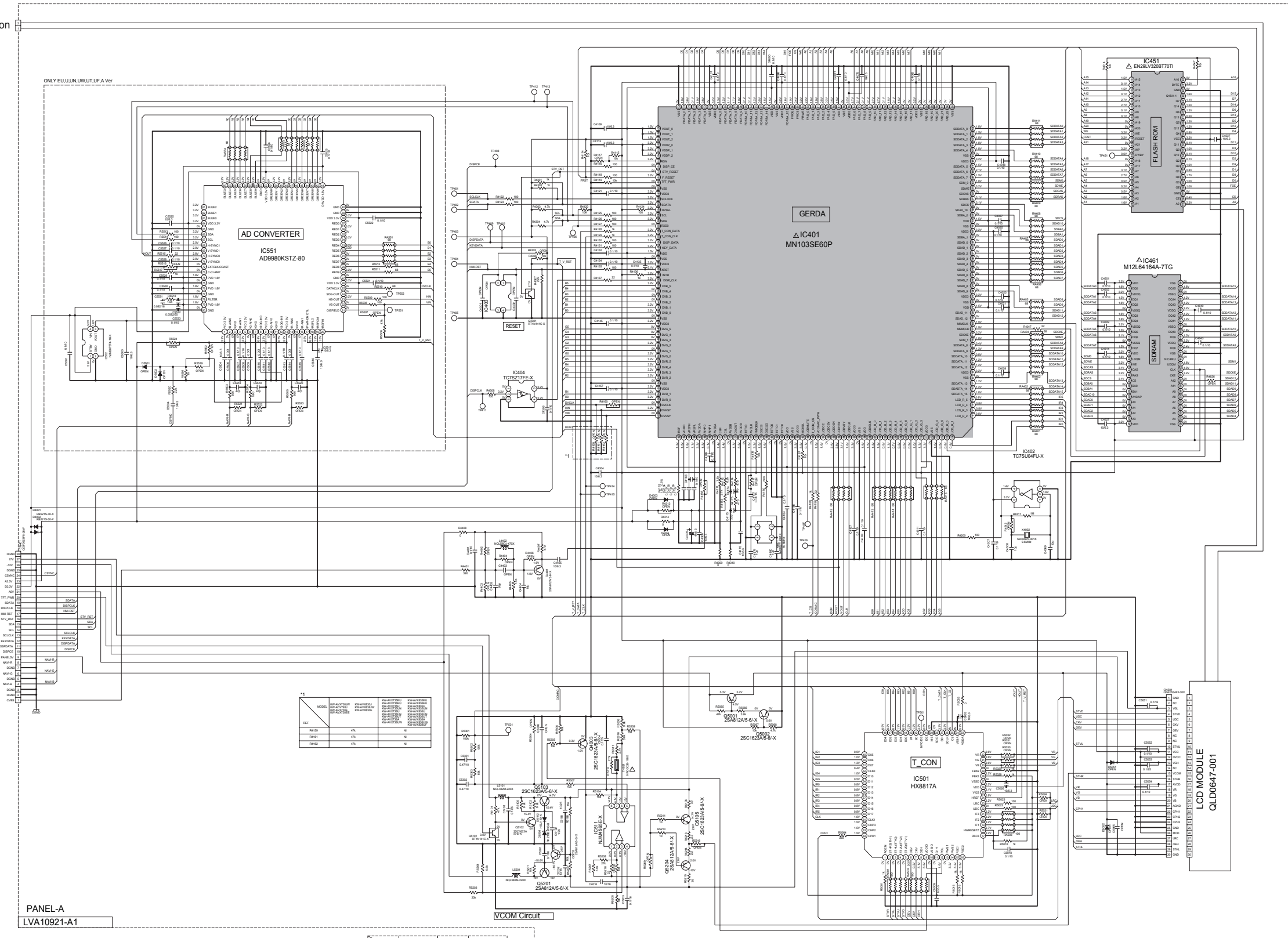
MAIN PWB
LVA10920-A1

<Panel-A section>

MODEL	2SC1224P	2SC1224P	2SC1224P	2SC1224P	2SC1224P
REF	2SC1224P	2SC1224P	2SC1224P	2SC1224P	2SC1224P
IC41	EN6L102B701	EN6L102B701	EN6L102B701	EN6L102B701	EN6L102B701
IC42	EN6L102B701	EN6L102B701	EN6L102B701	EN6L102B701	EN6L102B701

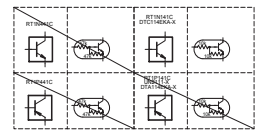
To Panel-B section
CN603

To Panel-B section
CN653



PANEL-A
LVA10921-A1

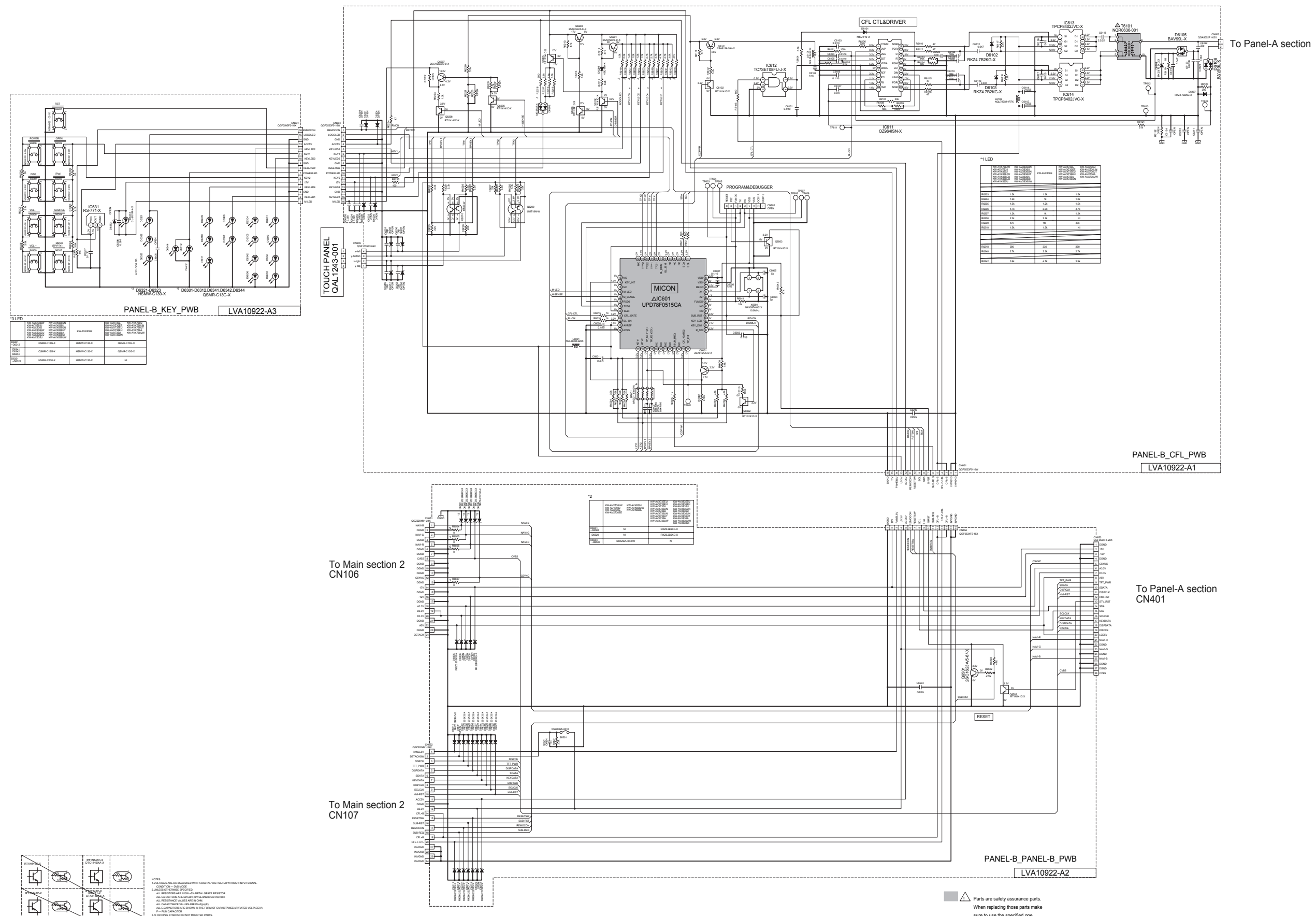
MODEL	2SC1224P	2SC1224P	2SC1224P	2SC1224P	2SC1224P
REF	2SC1224P	2SC1224P	2SC1224P	2SC1224P	2SC1224P
IC41	EN6L102B701	EN6L102B701	EN6L102B701	EN6L102B701	EN6L102B701
IC42	EN6L102B701	EN6L102B701	EN6L102B701	EN6L102B701	EN6L102B701



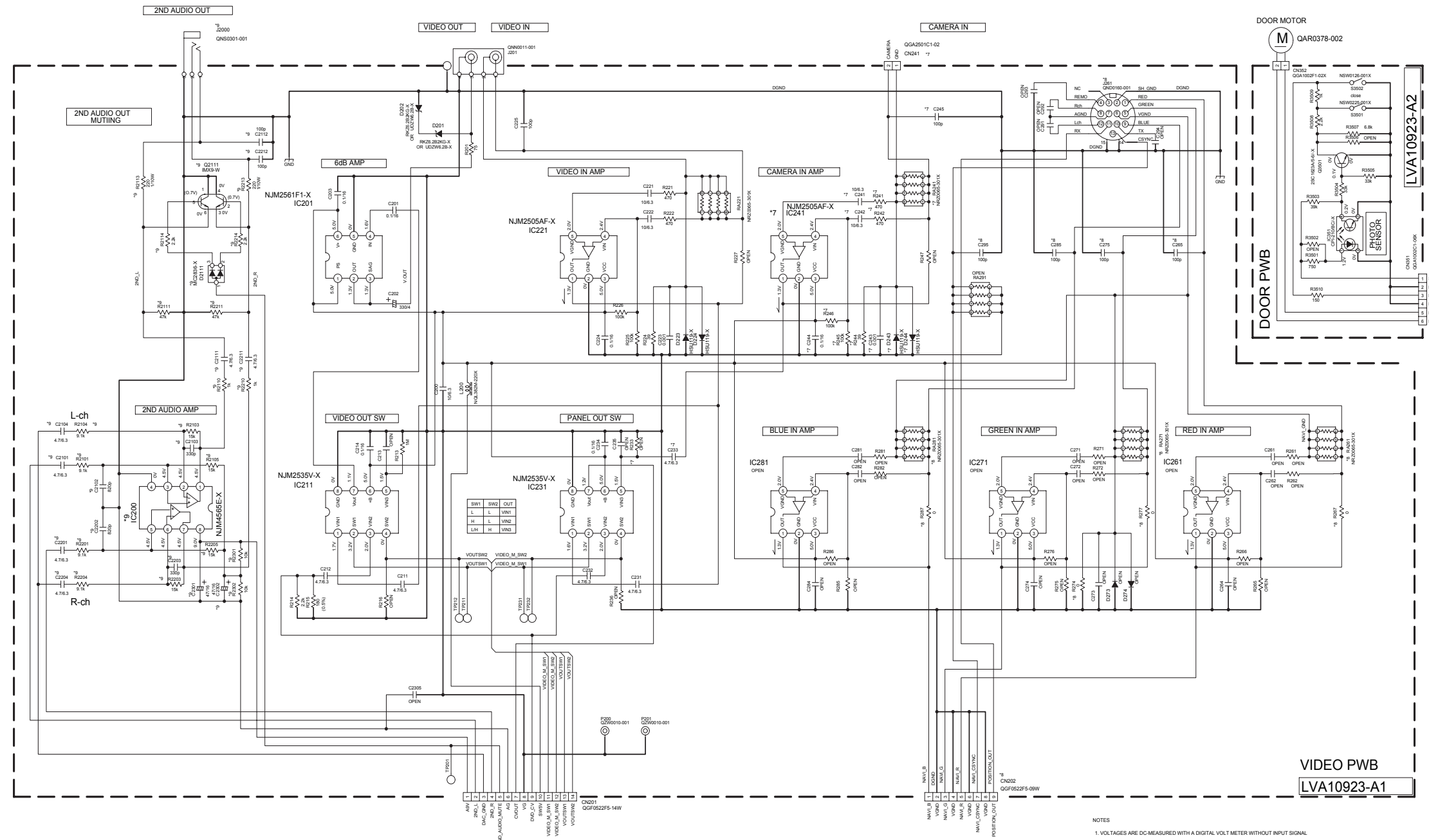
NOTE
VOLTAGE ARE MEASURED WITH A DIGITAL VOLT METER WITHOUT INPUT SIGNAL.
CONNECTION - SEE SCHEMATIC
SIGNALS CHANGING SPEEDS
ALL RESISTORS ARE FROM METAL GLAZE RESISTOR
ALL RESISTANCE VALUES ARE IN OHM
ALL CAPACITORS ARE FROM 50V DC FILM CAPACITOR
ALL CAPACITANCE VALUES ARE IN PICO
ALL CAPACITORS ARE SHOWN IN THE FORM OF CAPACITANCE/UNITED VOLTS/DC
C = FILM CAPACITOR
50V OR OTHER SPACES FOR NOT MOUNTED PARTS

Parts are safety assurance parts.
When replacing those parts make
sure to use the specified one.

<Panel-B section>



<Video section>



To Main section 2
CN109

VIDEO PWB
LVA10923-A1

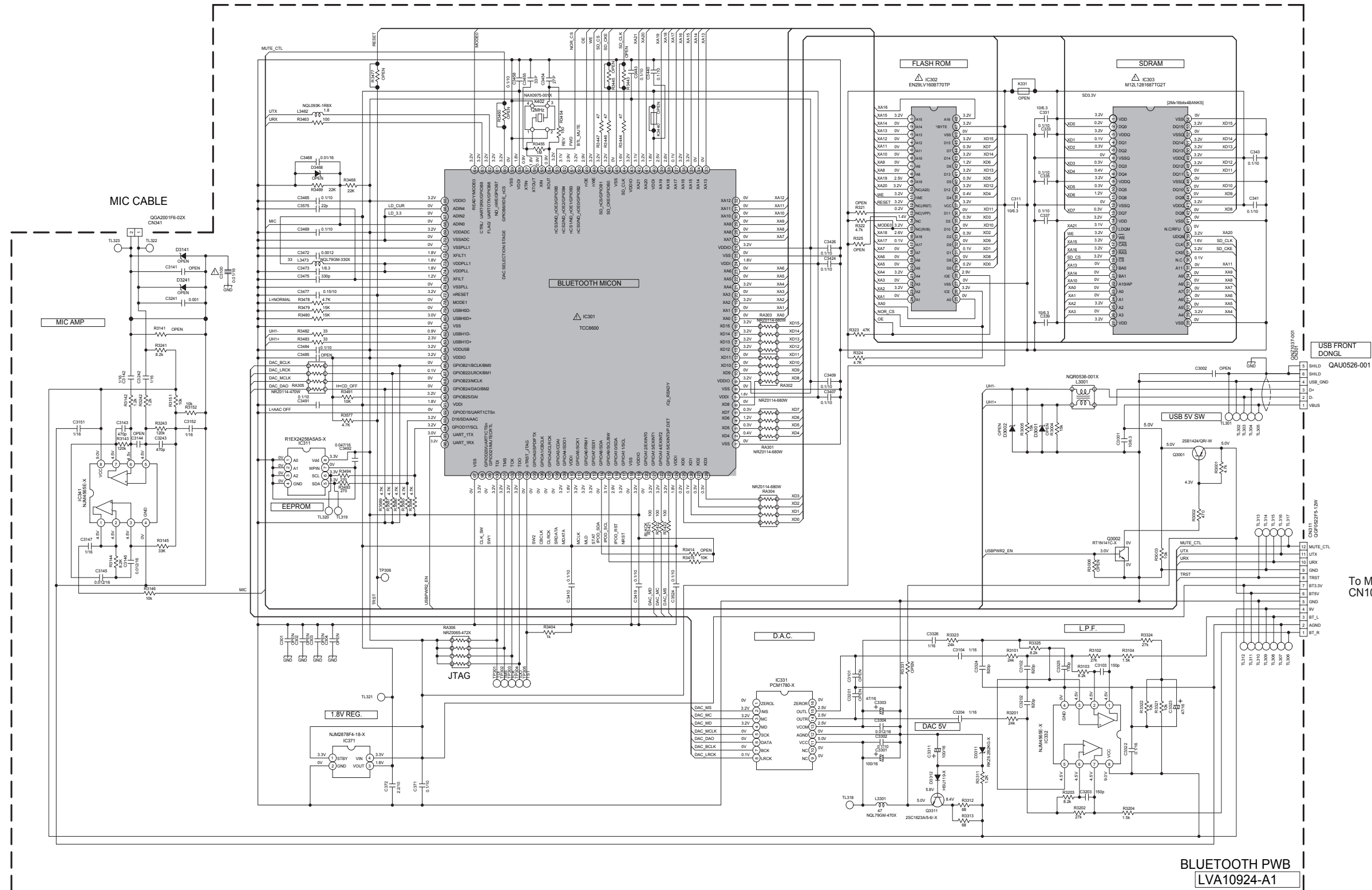
- NOTES
1. VOLTAGES ARE DC MEASURED WITH A DIGITAL VOLT METER WITHOUT INPUT SIGNAL.
CONDITION - DVD PLAYBACK MODE WITH DVD TEST DISC V.687.
 2. UNLESS OTHERWISE SPECIFIED:
ALL RESISTORS ARE 1/16W +5% METAL GLAZE RESISTOR.
ALL CAPACITORS ARE 50V 25V CERAMIC CAPACITOR.
ALL RESISTANCE VALUES ARE IN OHM.
ALL CAPACITANCE VALUES ARE IN (pF)(nF).
ALL E-CAPACITORS ARE SHOWN IN THE FORM OF CAPACITANCE(FILTRATED VOLTAGE(V))
F - FILM CAPACITOR
 3. NI OR OPEN STANDS FOR NOT MOUNTED PARTS

*7 CAMERA IN		*8 RGB		*9 2nd_Audio	
IC241	NI	NJM2505AF-X		J2000	NI
CN241	NI	QG42501C1-02		IC200	NI
D243D244	NI	RSU119-X		Q2111	NI
C201	NI	NCB3HJ-101X		Q2111	NI
C211C242	NI	NCB25UK-196K		C2101C2201	NI
C243	NI	NCB3HK-102X		C2102C2202	NI
C244	NI	NCB3HK-104X		C2103C2203	NI
C245	NI	NCB3HJ-101X		C2104C2204	NI
R253	NI	NRS46LJ-105K		C2111C2211	NI
R241R242	NI	NRS46LJ-471X		C2112C2212	NI
R244	NI	NRS46LJ-330K		C2301	NI
R245R246	NI	NRS46LJ-104K		C2302	NI
R247	NI	NR2205S-301X		R2101R2201	NI

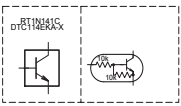
To Main section 1
CN104

To Main section 2
CN108

<BT AMP section>

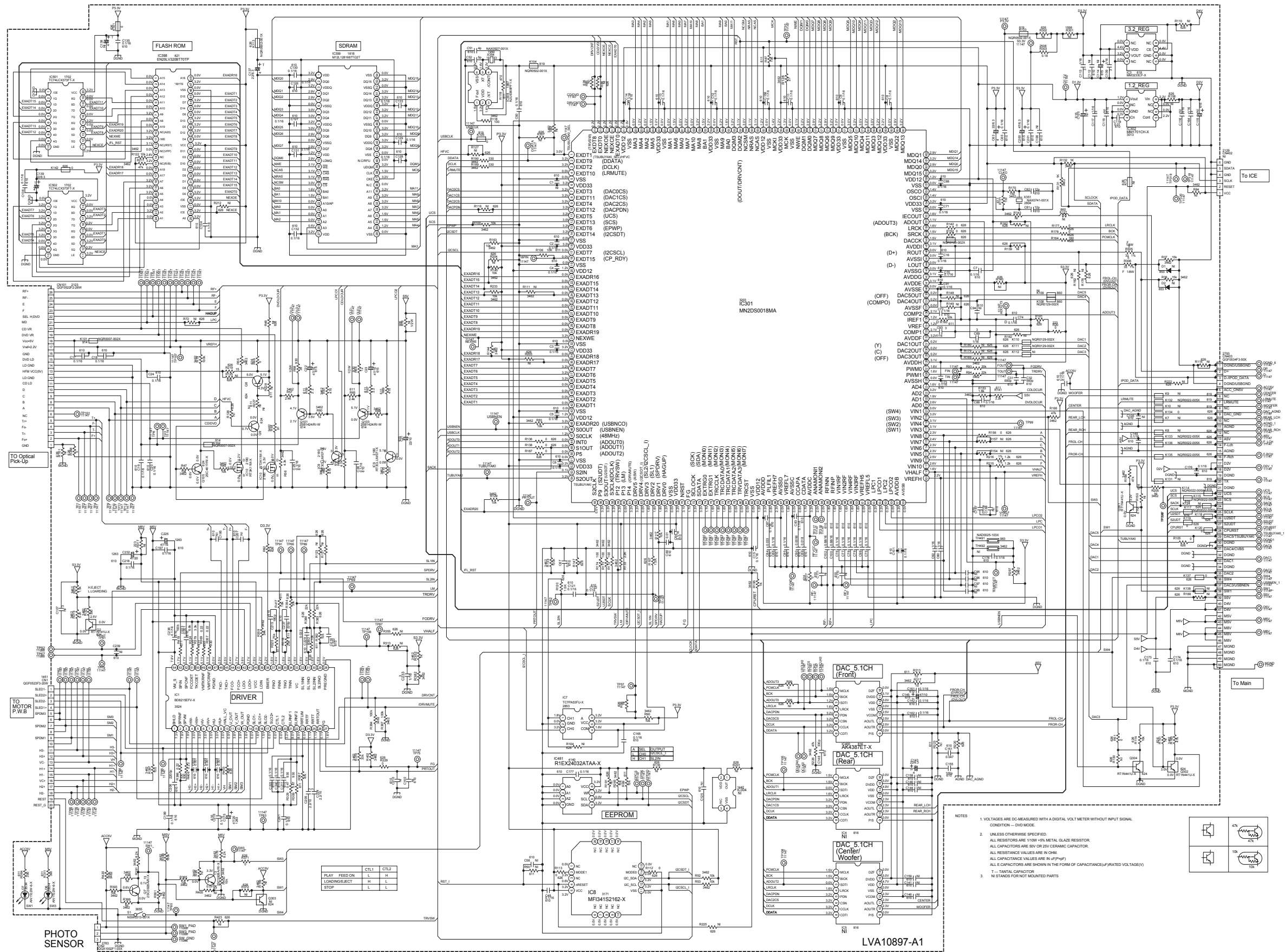


- NOTES
1. VOLTAGES ARE DC-MEASURED WITH A DIGITAL VOLT METER WITHOUT INPUT SIGNAL
CONDITION—FM MODE.
 2. UNLESS OTHERWISE SPECIFIED:
ALL RESISTORS ARE 1/16W 5% METAL GLAZE RESISTOR.
ALL CAPACITORS ARE 50V OR 25V CERAMIC CAPACITOR.
ALL RESISTANCE VALUES ARE IN OHM.
ALL CAPACITANCE VALUES ARE IN uF(pF)
 3. ALL E-CAPACITORS ARE SHOWN IN THE FORM OF CAPACITANCE(uF)/RATED VOLTAGE(V)
N OR OPEN STANDS FOR NOT MOUNTED PARTS.



Parts are safety assurance parts.
When replacing those parts make
sure to use the specified one.

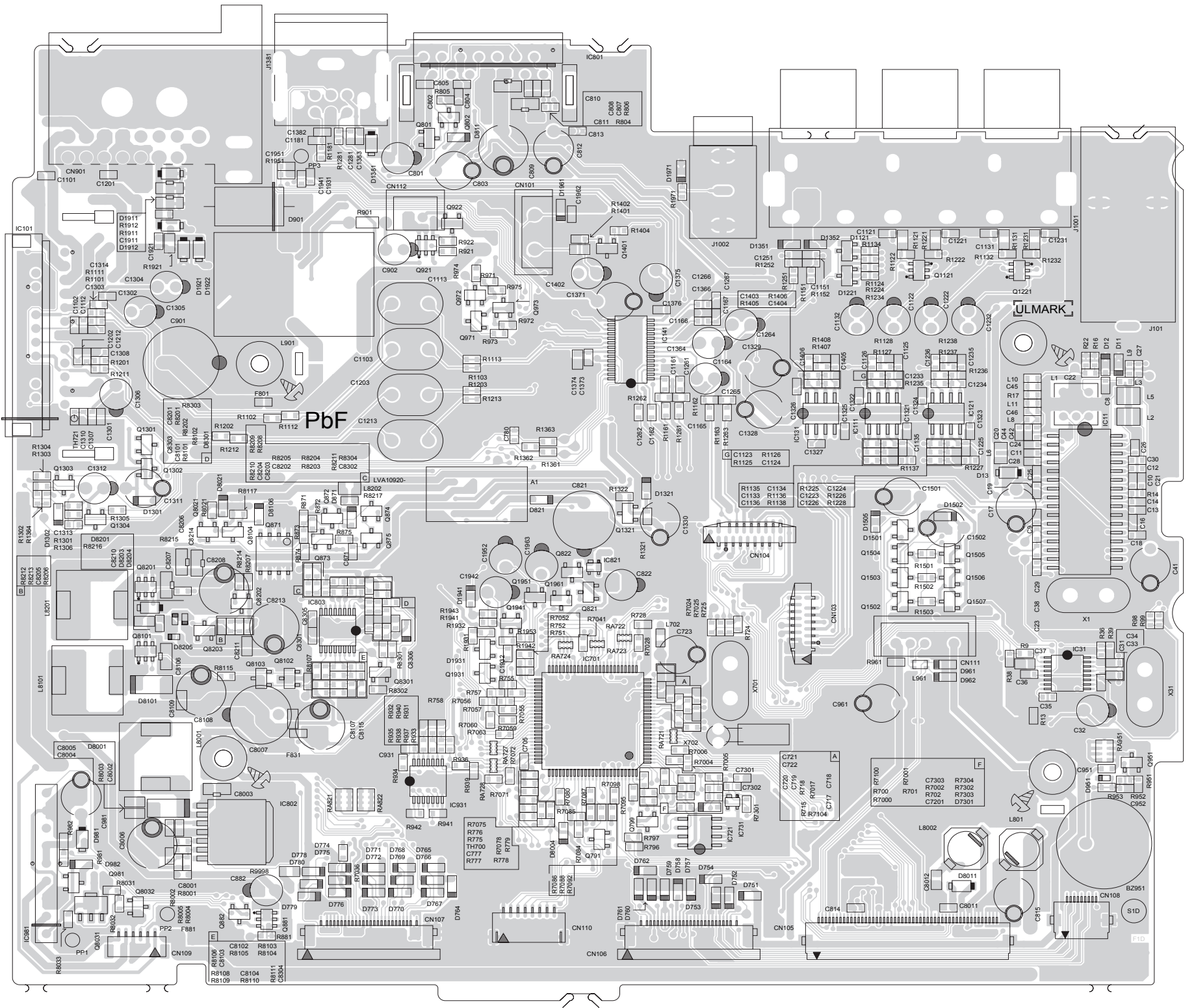
<Front end section>



To Main section 2
CN105

<Main board>

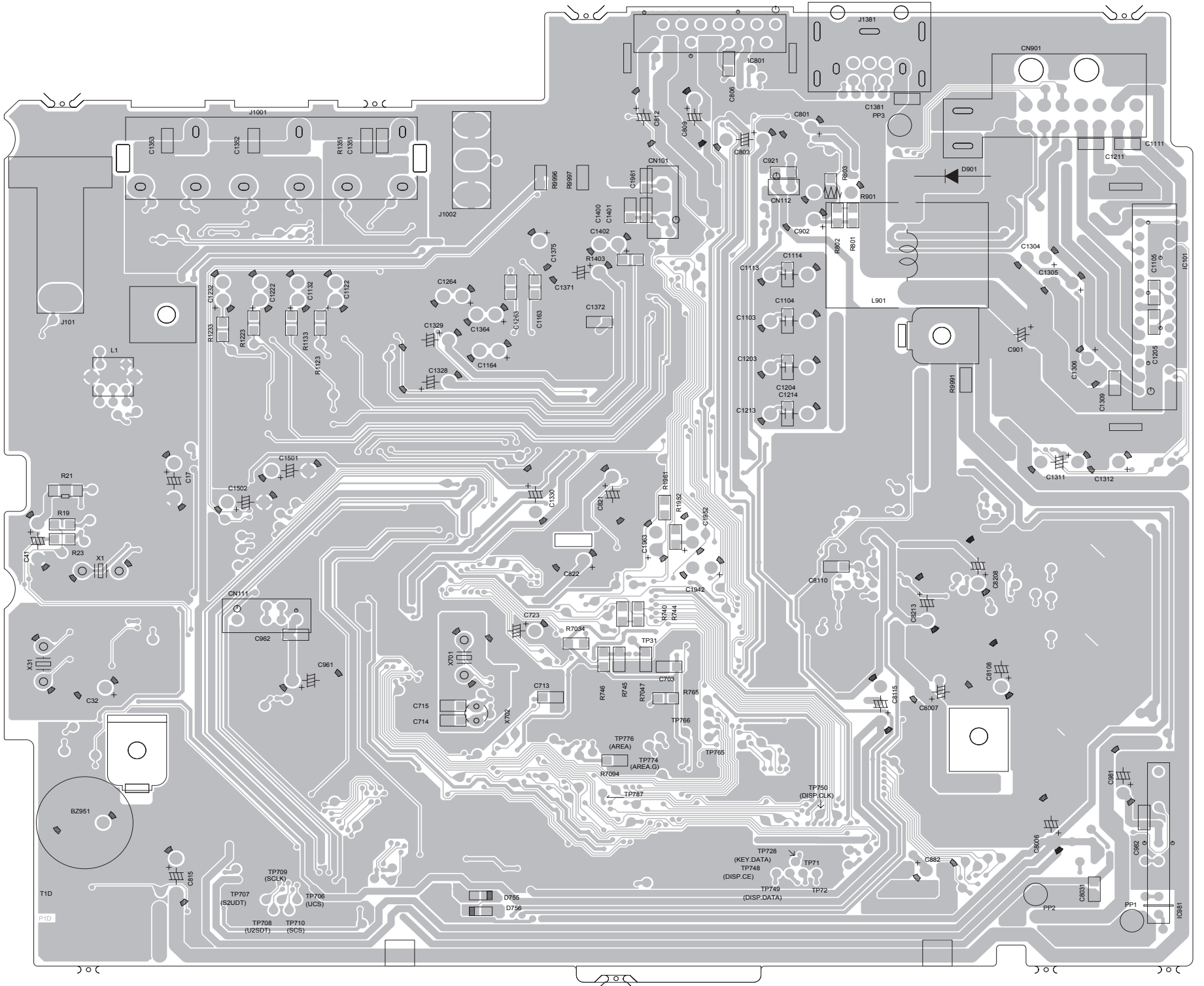
(Lead free solder used in the board (material : Sn-Ag-Cu, melting point : 219 Centigrade))
(Lead free solder used in the board (material : Sn-Cu, melting point : 230 Centigrade))



<Main board>

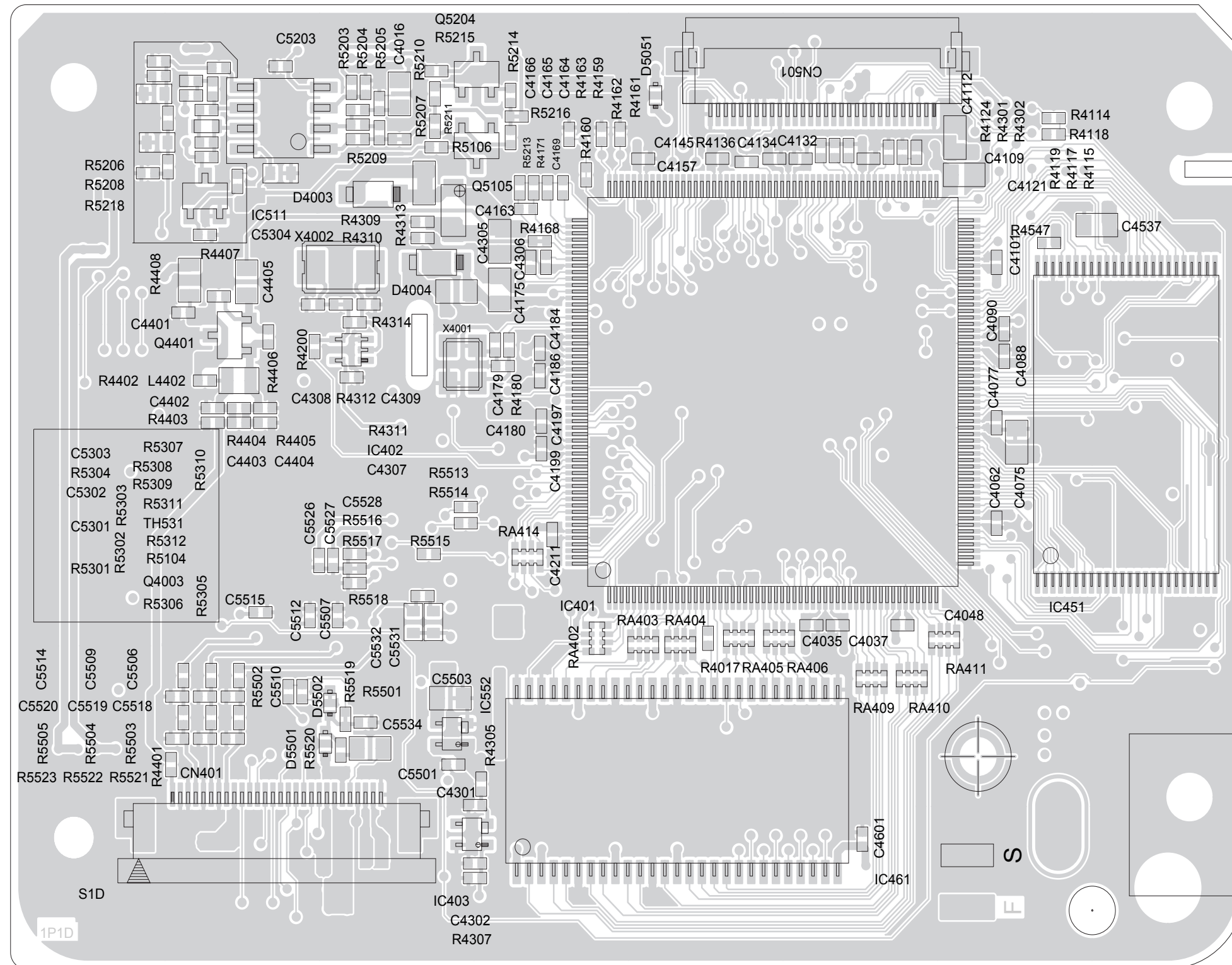
(Lead free solder used in the board (material : Sn-Ag-Cu, melting point : 219 Centigrade))

(Lead free solder used in the board (material : Sn-Cu, melting point : 230 Centigrade))



<Panel-A board>

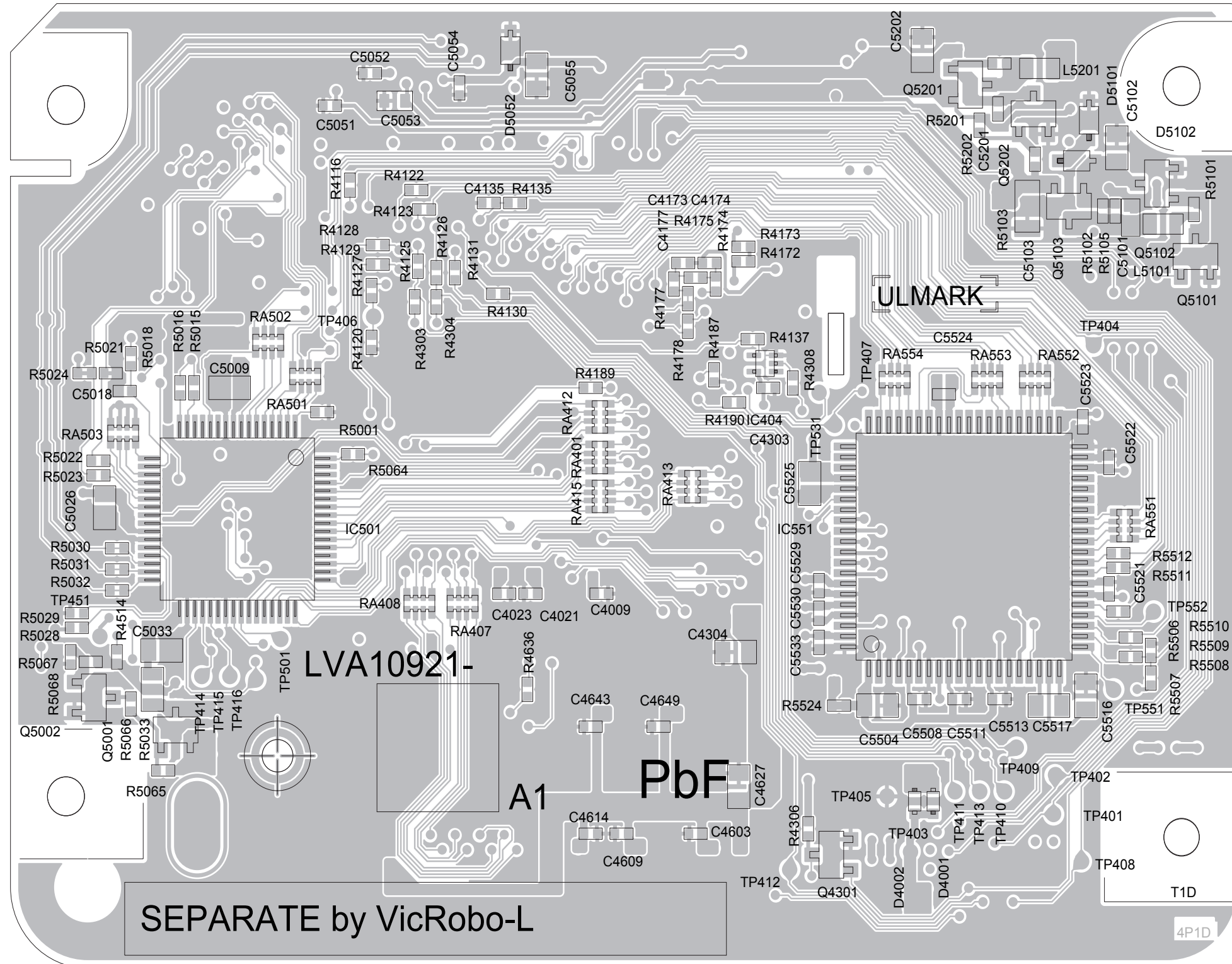
(Lead free solder used in the board (material : Sn-Ag-Cu, melting point : 219 Centigrade))
(Lead free solder used in the board (material : Sn-Cu, melting point : 230 Centigrade))



<Panel-A board>

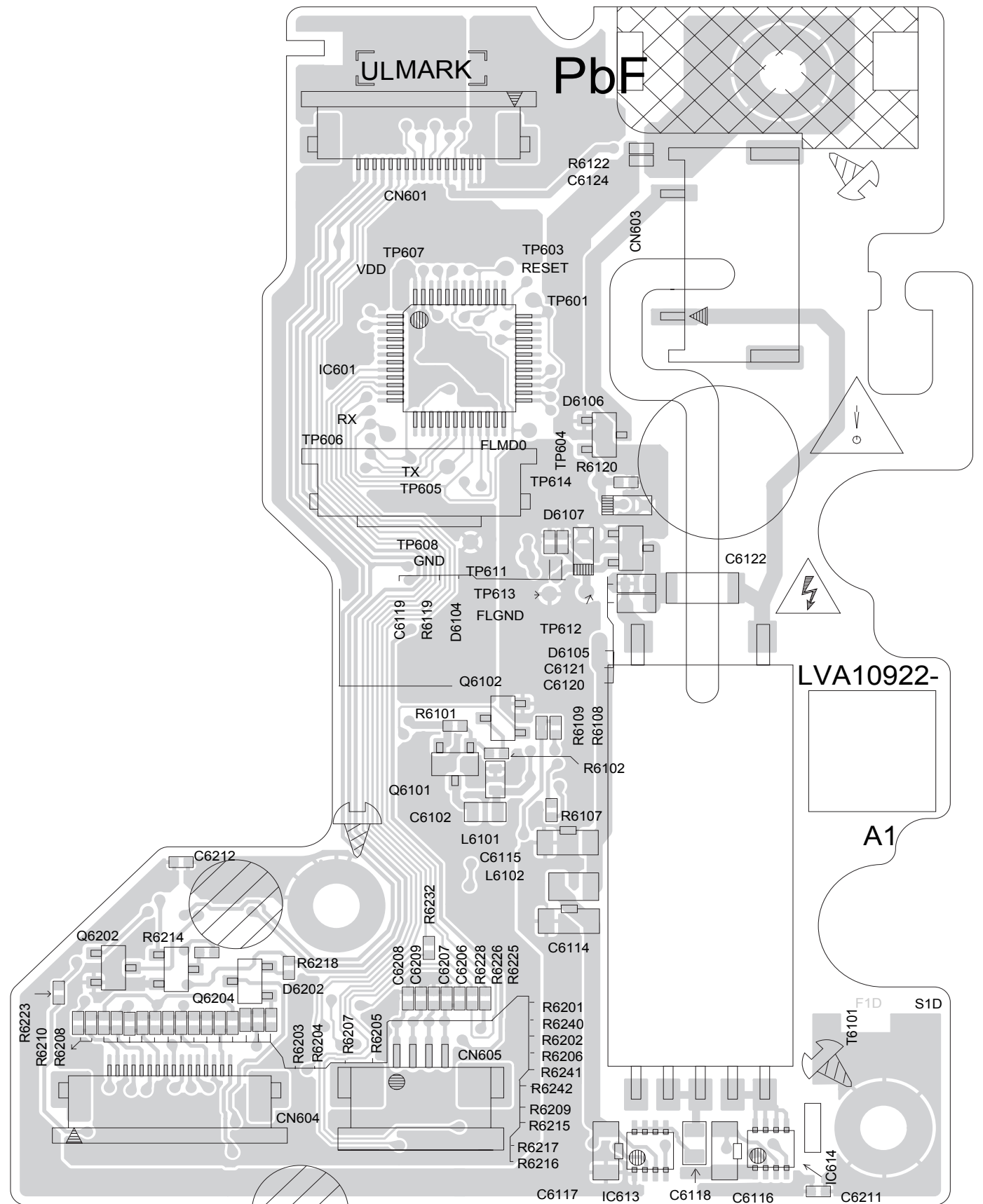
(Lead free solder used in the board (material : Sn-Ag-Cu, melting point : 219 Centigrade))

(Lead free solder used in the board (material : Sn-Cu, melting point : 230 Centigrade))



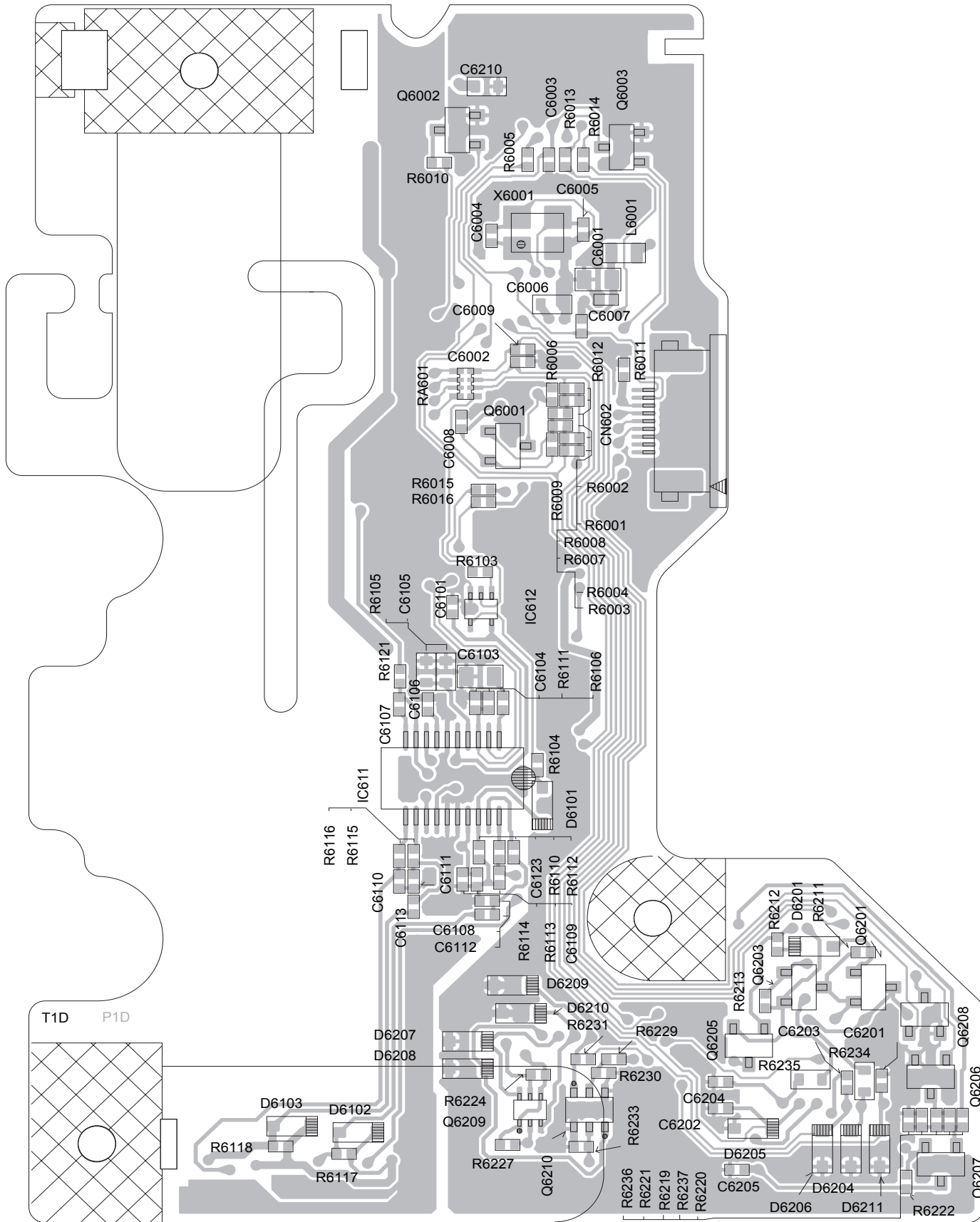
<Panel-B board>

(Lead free solder used in the board (material : Sn-Ag-Cu, melting point : 219 Centigrade))
 (Lead free solder used in the board (material : Sn-Cu, melting point : 230 Centigrade))



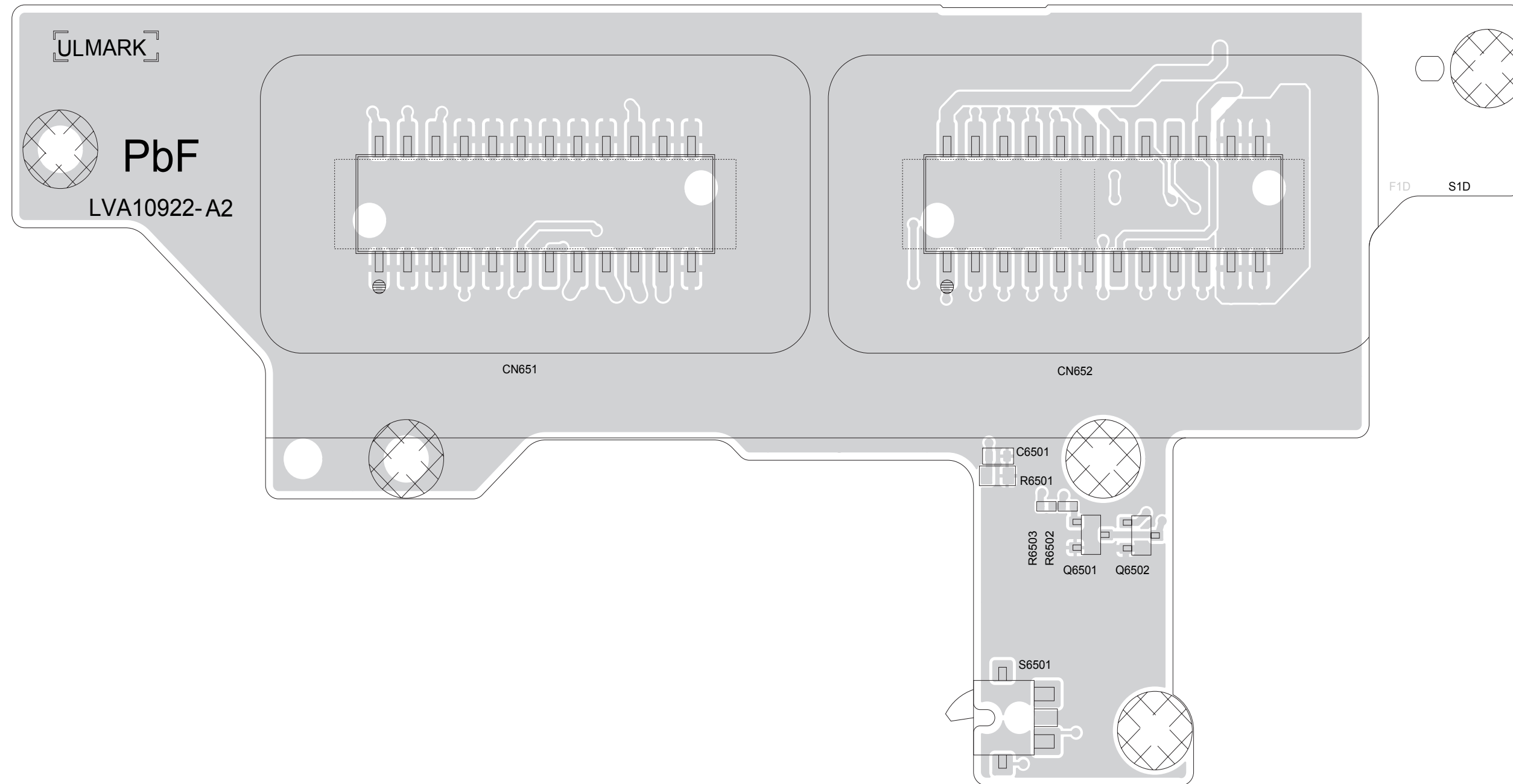
<Panel-B board>

(Lead free solder used in the board (material : Sn-Ag-Cu, melting point : 219 Centigrade))
(Lead free solder used in the board (material : Sn-Cu, melting point : 230 Centigrade))



<Front board>

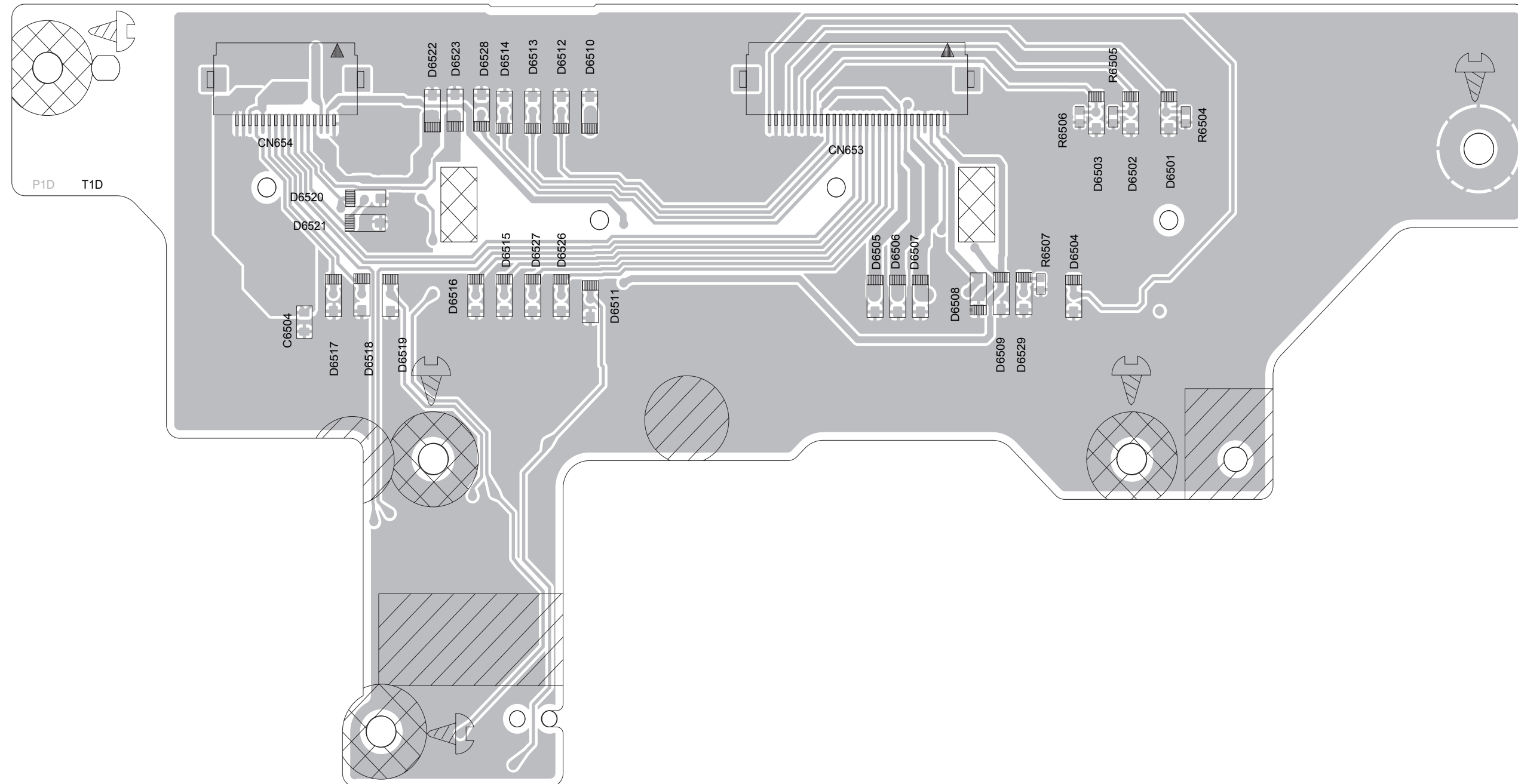
(Lead free solder used in the board (material : Sn-Ag-Cu, melting point : 219 Centigrade))
(Lead free solder used in the board (material : Sn-Cu, melting point : 230 Centigrade))



<Front board>

(Lead free solder used in the board (material : Sn-Ag-Cu, melting point : 219 Centigrade))

(Lead free solder used in the board (material : Sn-Cu, melting point : 230 Centigrade))



<Key board>

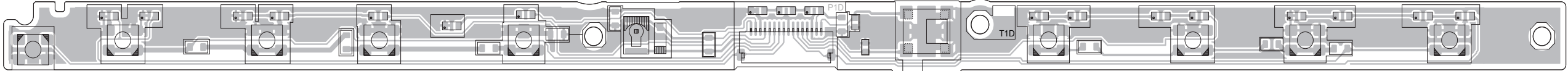
(Lead free solder used in the board (material : Sn-Ag-Cu, melting point : 219 Centigrade))
(Lead free solder used in the board (material : Sn-Cu, melting point : 230 Centigrade))



<Key board>

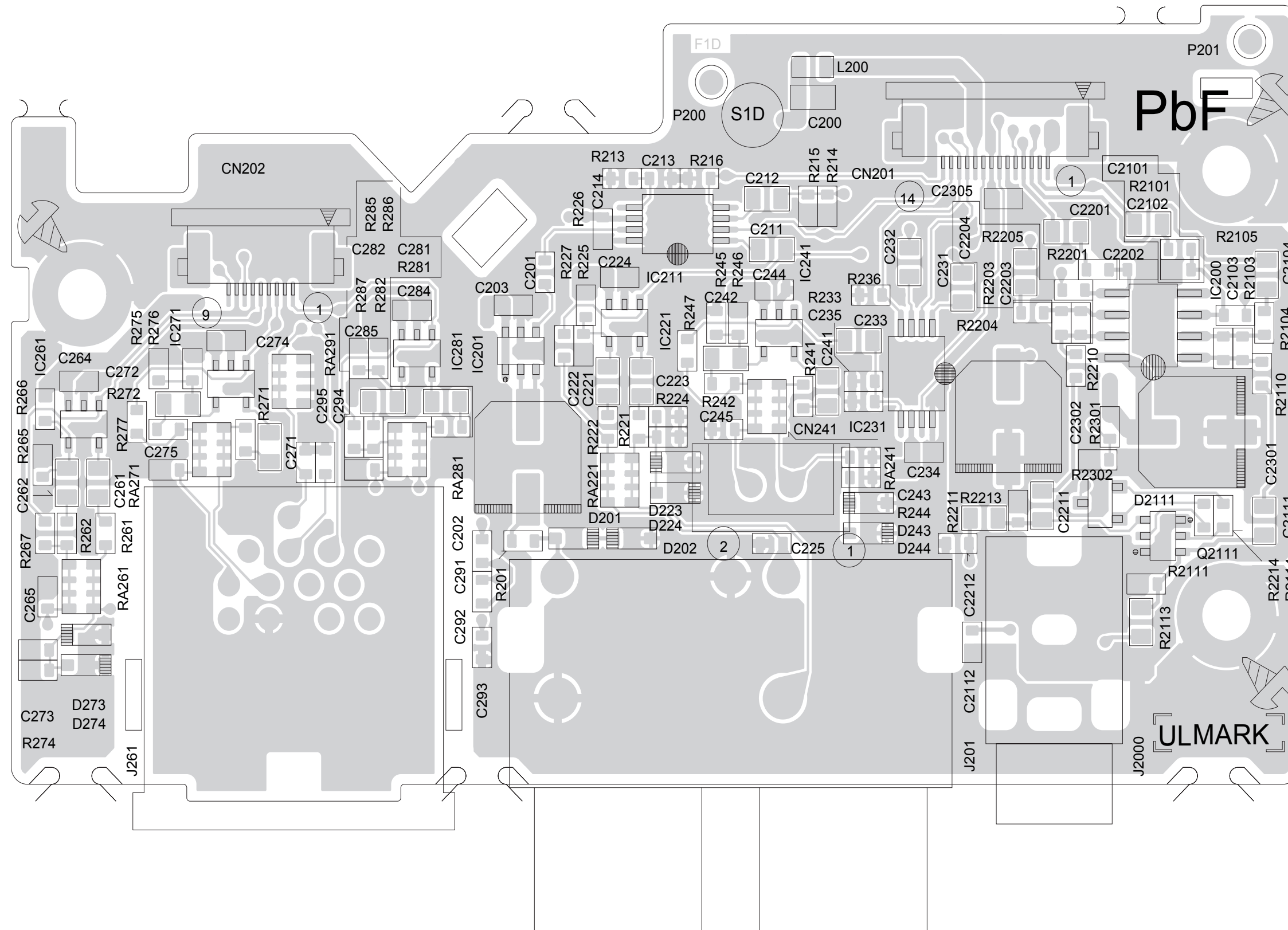
(Lead free solder used in the board (material : Sn-Ag-Cu, melting point : 219 Centigrade))

(Lead free solder used in the board (material : Sn-Cu, melting point : 230 Centigrade))



<Sub AMP board>

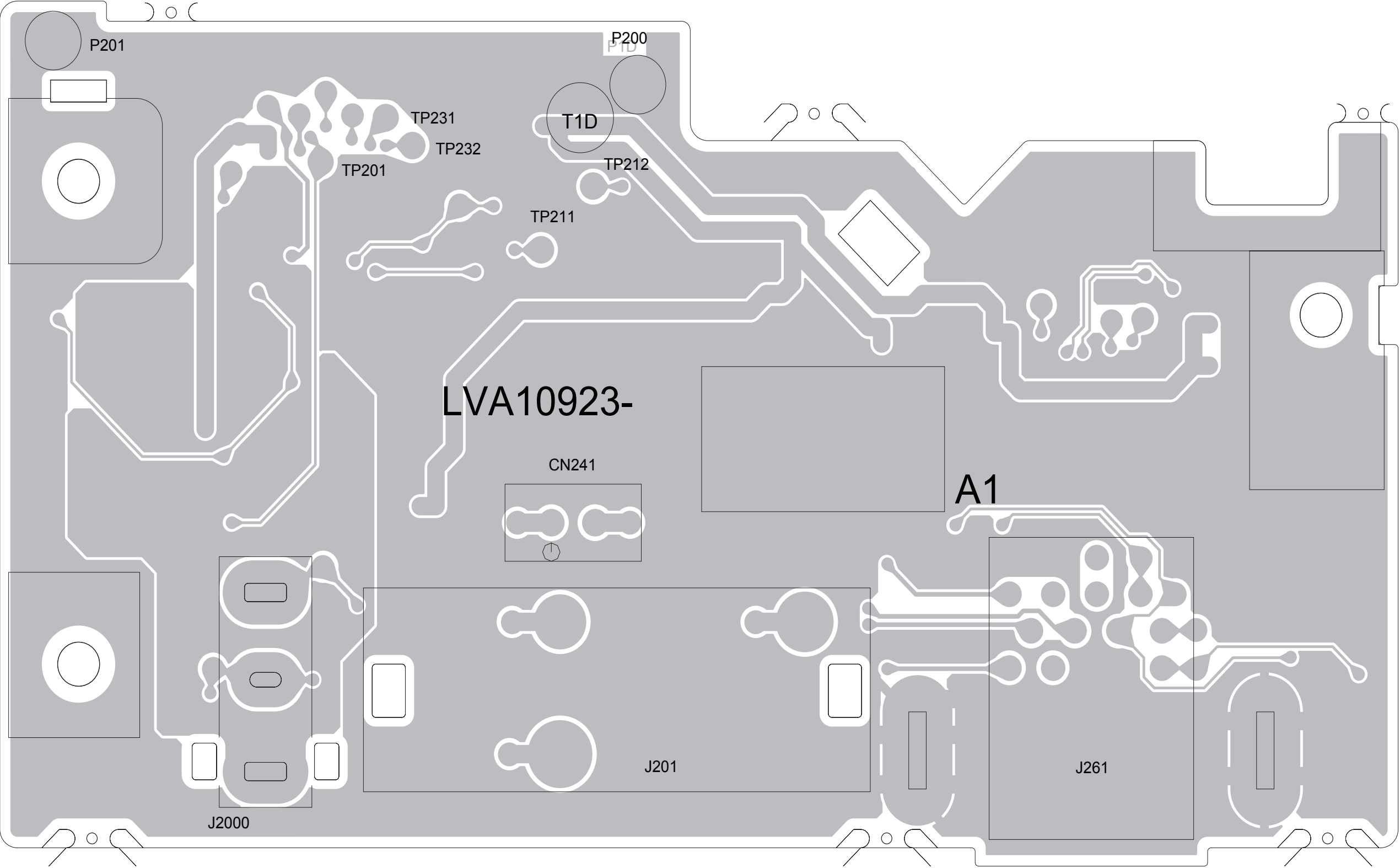
(Lead free solder used in the board (material : Sn-Ag-Cu, melting point : 219 Centigrade))
(Lead free solder used in the board (material : Sn-Cu, melting point : 230 Centigrade))



<Sub AMP board>

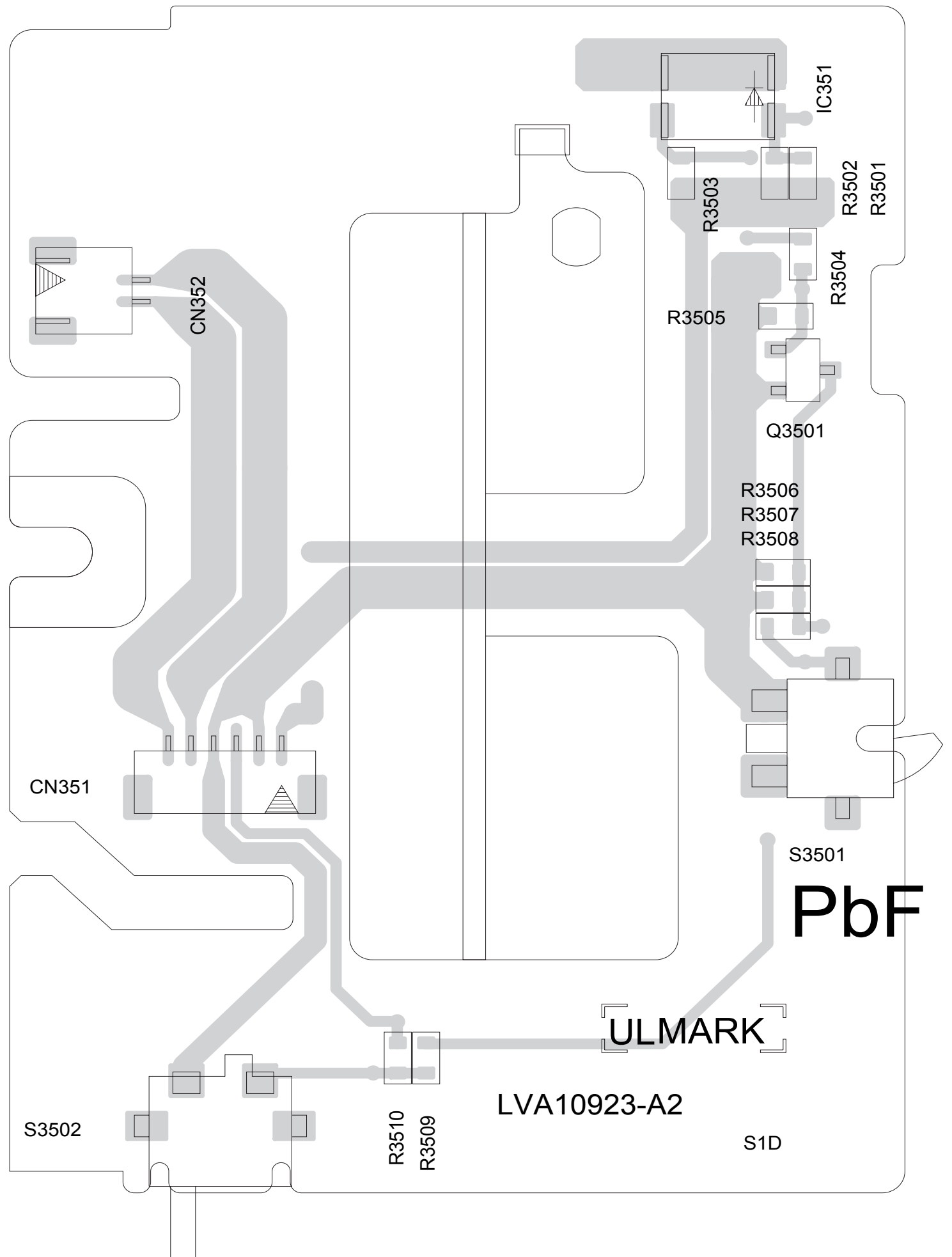
(Lead free solder used in the board (material : Sn-Ag-Cu, melting point : 219 Centigrade))

(Lead free solder used in the board (material : Sn-Cu, melting point : 230 Centigrade))



<Sub board>

(Lead free solder used in the board (material : Sn-Ag-Cu, melting point : 219 Centigrade))
(Lead free solder used in the board (material : Sn-Cu, melting point : 230 Centigrade))



<Sub board>

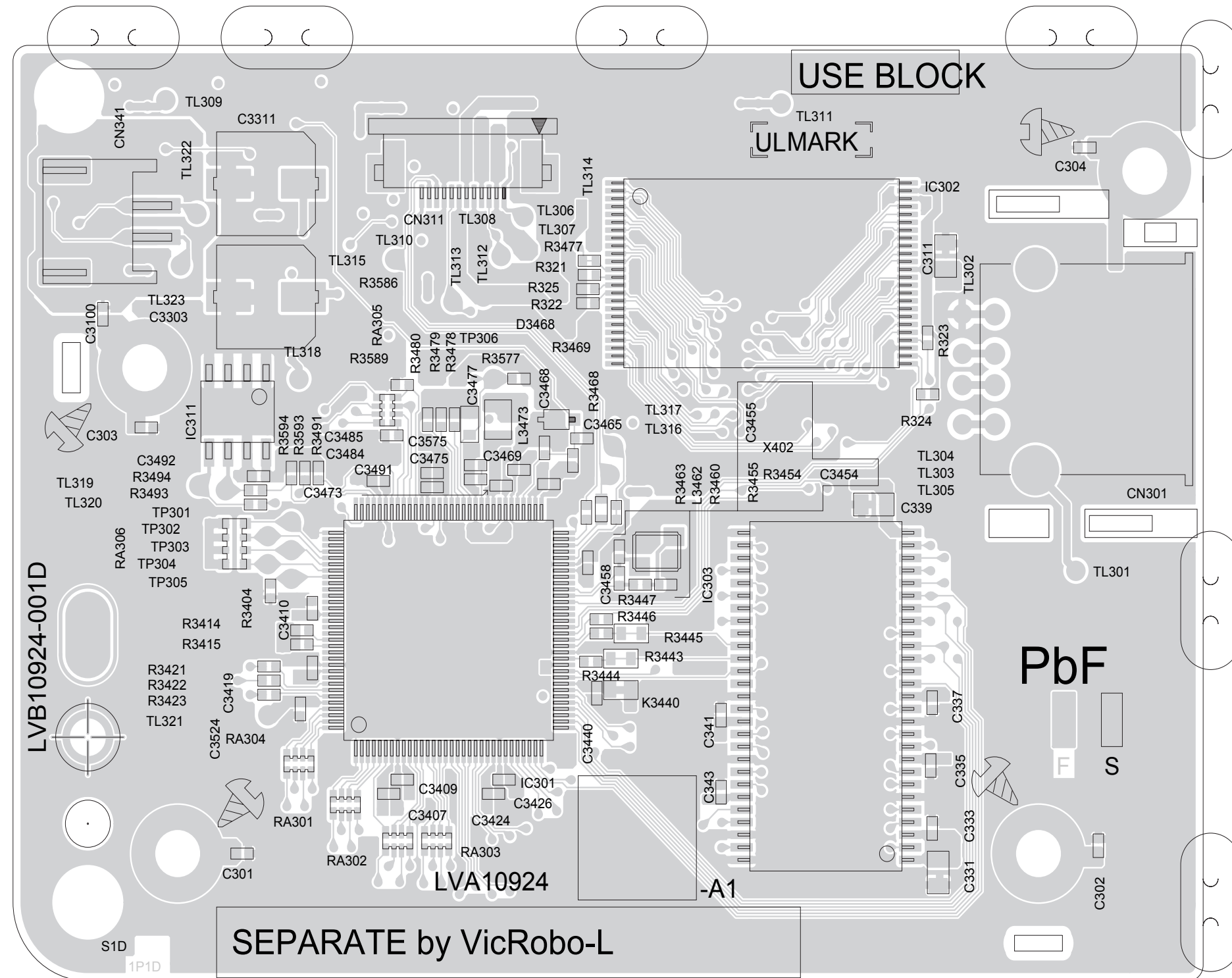
(Lead free solder used in the board (material : Sn-Ag-Cu, melting point : 219 Centigrade))

(Lead free solder used in the board (material : Sn-Cu, melting point : 230 Centigrade))



<BT AMP board>

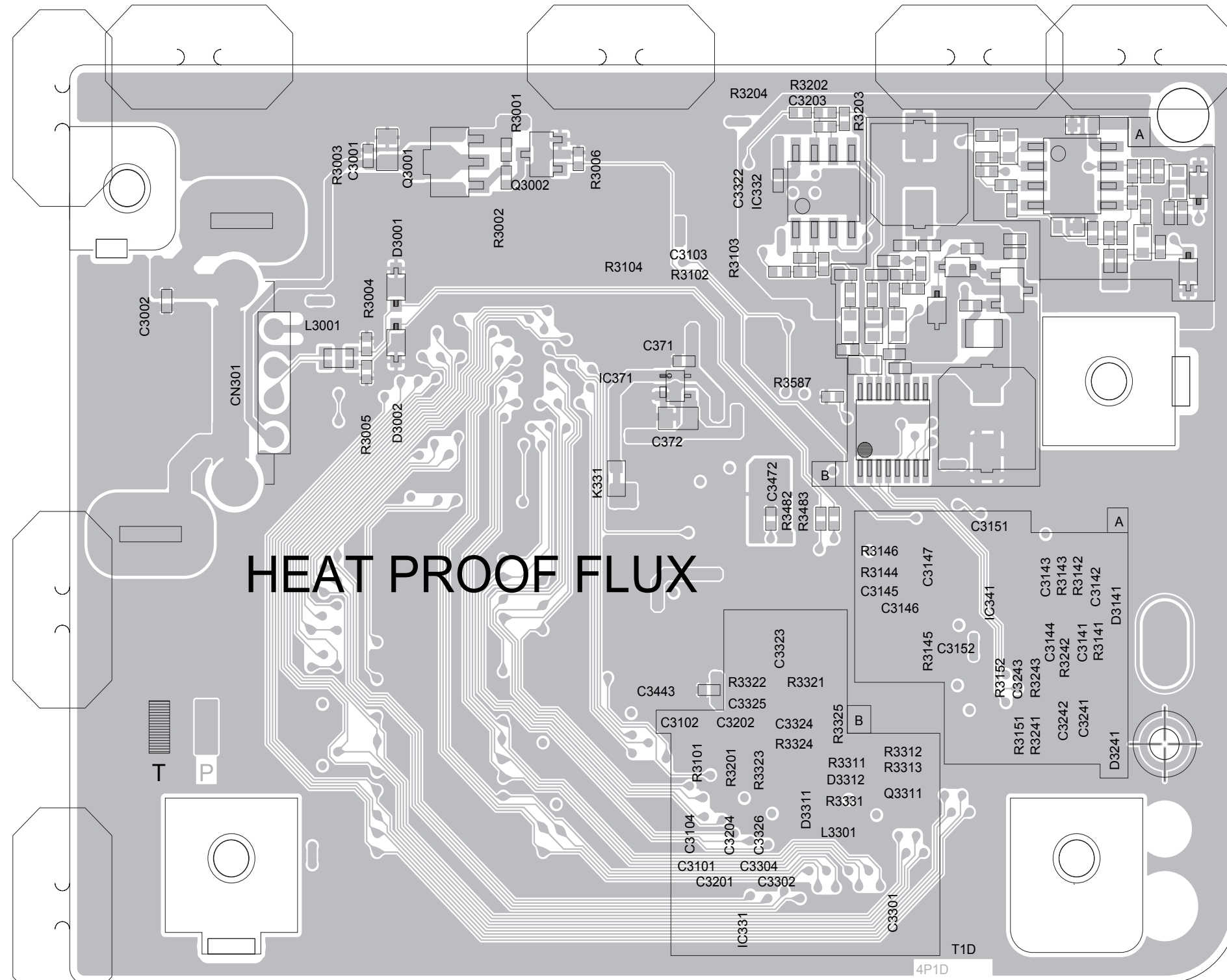
(Lead free solder used in the board (material : Sn-Ag-Cu, melting point : 219 Centigrade))
(Lead free solder used in the board (material : Sn-Cu, melting point : 230 Centigrade))



<BT AMP board>

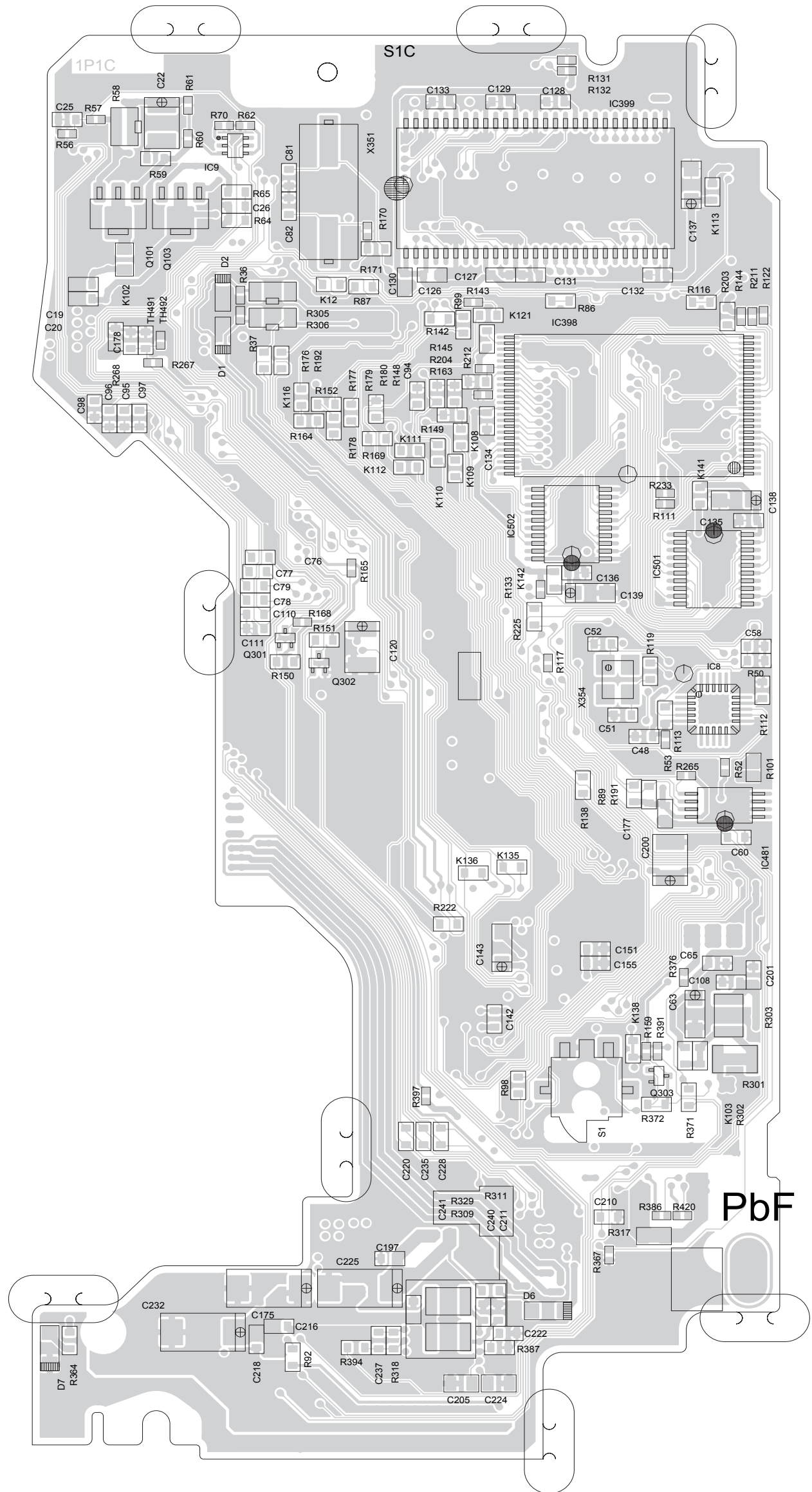
(Lead free solder used in the board (material : Sn-Ag-Cu, melting point : 219 Centigrade))

(Lead free solder used in the board (material : Sn-Cu, melting point : 230 Centigrade))



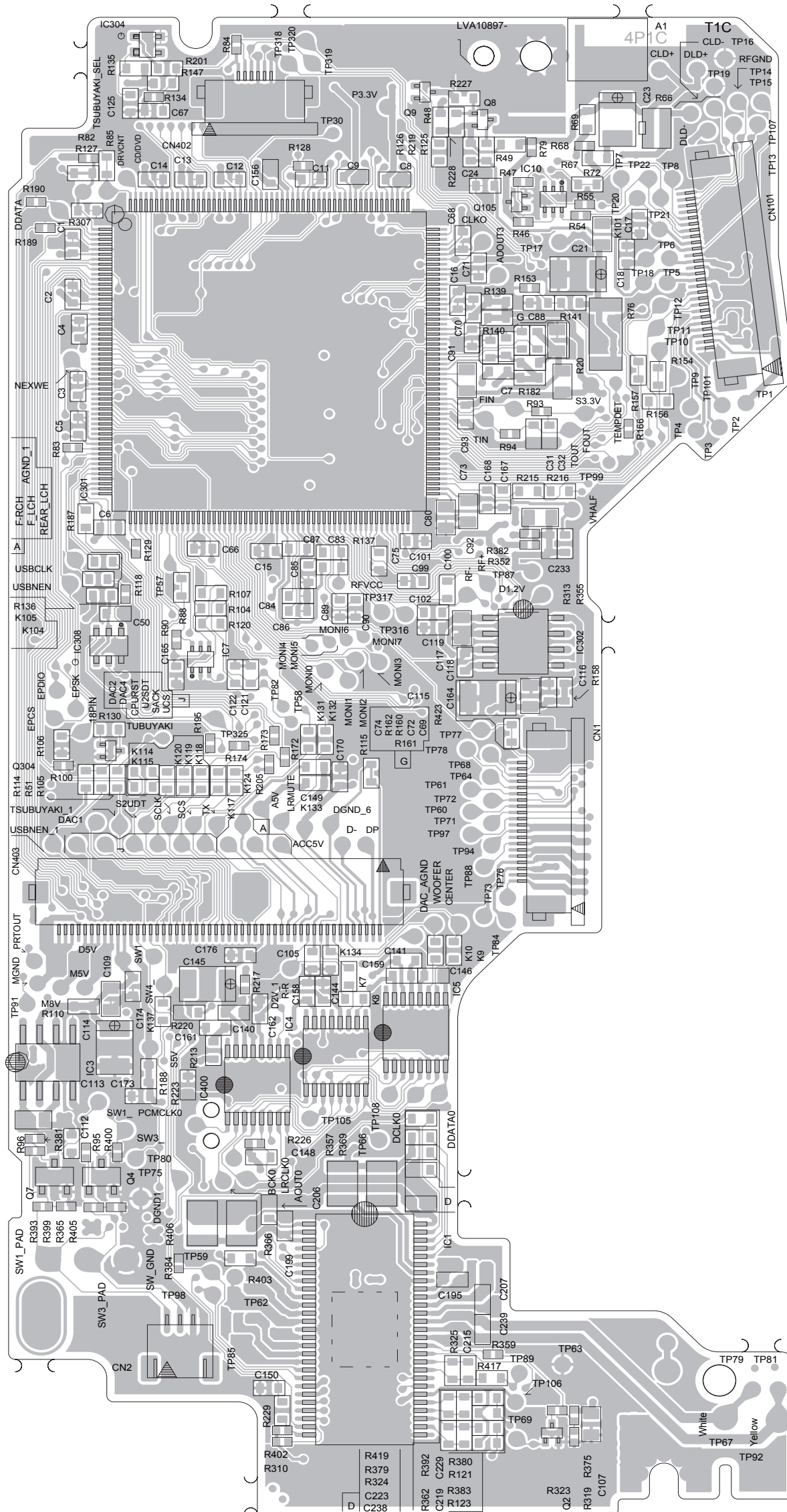
<Front end board>

(Lead free solder used in the board (material : Sn-Ag-Cu, melting point : 219 Centigrade))
(Lead free solder used in the board (material : Sn-Cu, melting point : 230 Centigrade))



<Front end board>

(Lead free solder used in the board (material : Sn-Ag-Cu, melting point : 219 Centigrade))
 (Lead free solder used in the board (material : Sn-Cu, melting point : 230 Centigrade))



<Photo board>

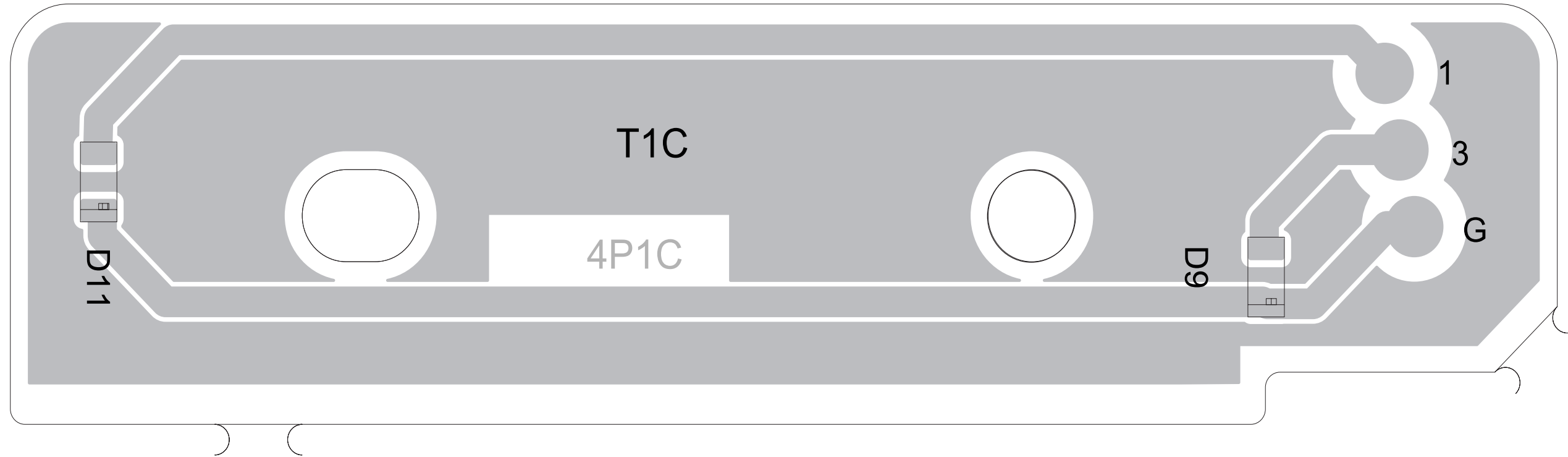
(Lead free solder used in the board (material : Sn-Ag-Cu, melting point : 219 Centigrade))
(Lead free solder used in the board (material : Sn-Cu, melting point : 230 Centigrade))



<Photo board>

(Lead free solder used in the board (material : Sn-Ag-Cu, melting point : 219 Centigrade))

(Lead free solder used in the board (material : Sn-Cu, melting point : 230 Centigrade))





PARTS LIST

DVD RECEIVER WITH MONITOR

KW-ADV793J	KW-AVX730E	KW-AVX730EE
KW-AVX730J	KW-AVX735EU	KW-AVX735U
KW-AVX735UN	KW-AVX736A	KW-AVX736EU
KW-AVX736U	KW-AVX736UN	KW-AVX736UT
KW-AVX736UW	KW-AVX738JW	KW-AVX830E
KW-AVX830J	KW-AVX835EU	KW-AVX835U
KW-AVX835UN	KW-AVX836A	KW-AVX836EU
KW-AVX836U	KW-AVX836UN	KW-AVX836UT
KW-AVX836UW	KW-AVX838JW	KW-AVX838UF



■ PRECAUTIONS ON SCHEMATIC DIAGRAMS

- Due to the improvement in performance, some part numbers shown in the circuit diagrams may not agree with those indicated in the Parts List.
- The parts numbers, values and rated voltage etc. in the Schematic Diagrams are for reference only.
- Since the circuit diagrams are standard ones, the circuits and circuit constants may be subject to change for improvement without any notice.

■ PRECAUTIONS ON PARTS LIST

- The parts identified by the \triangle symbol are critical for safety. Whenever replacing these parts, be sure to use specified ones to secure the safety.
- The parts not indicated in this Parts List and those which are filled with lines --- in the Parts No. columns will not be supplied.
- P.W. BOARD Ass'y will not be supplied, but those which are filled with the Parts No. in the Parts No. columns will be supplied.
- When ordering chips, screws etc., place bulk orders (unit of tens) whenever possible to improve shipping efficiency.
- There are cases where the actual implemented parts in the sets and the service parts are different. When ordering parts, make sure to refer to the Parts List.

■ PRECAUTIONS ON SERVICE

Certain parts of the power circuits and the GNDs differ according to the models. Care must be taken for the following points as the differences are indicated separately in the LIVE GND () and the ISOLATED (NEUTRAL) GND () .

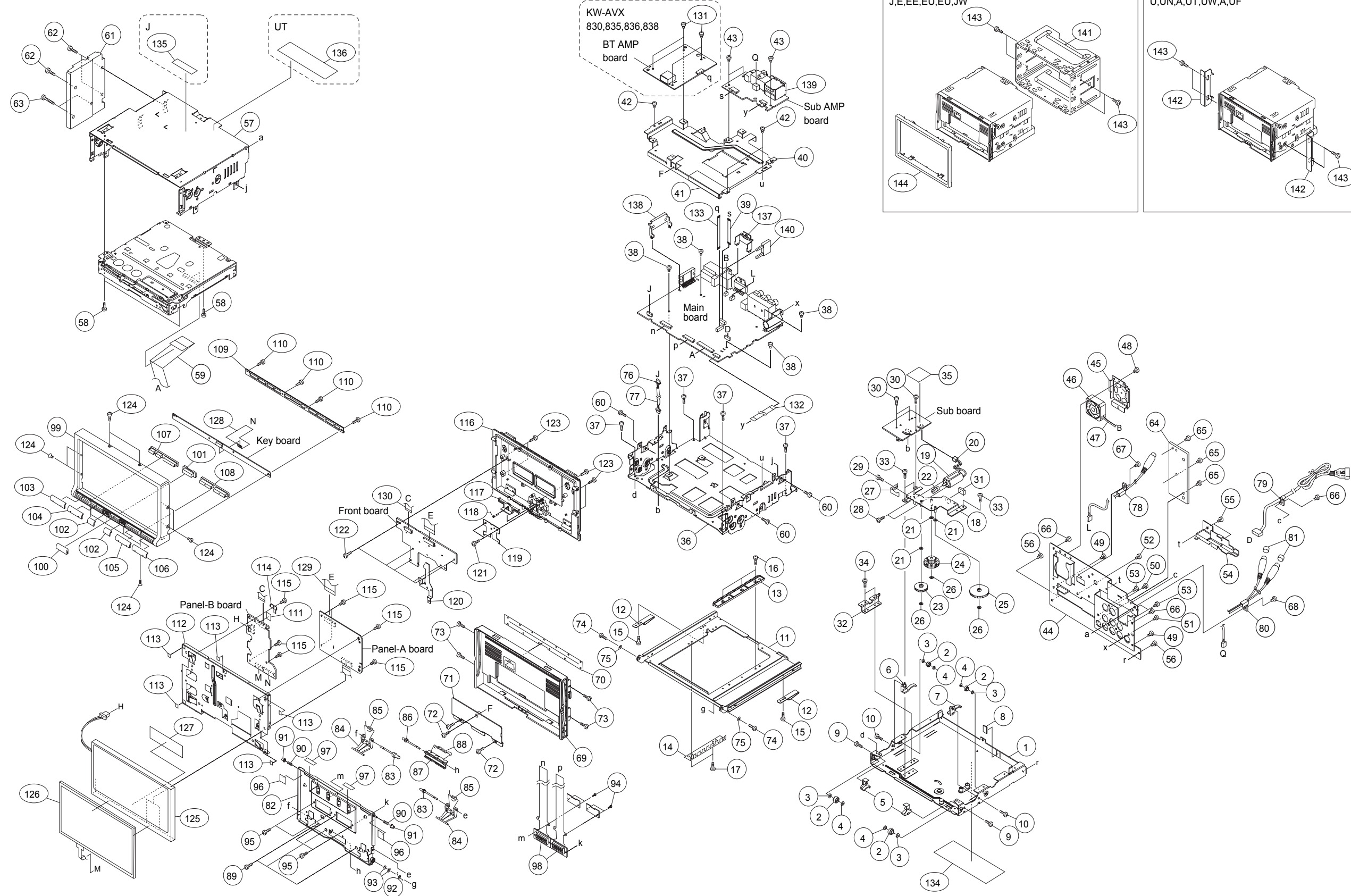
1. Do not touch the LIVE GND, or do not touch the LIVE GND and the ISOLATED (NEUTRAL) GND at the same time. It may cause an electric shock.
Before pulling out the chassis or other parts, make sure to pull out the power cord from the wall outlet first.
2. Do not short circuit between the LIVE GND and ISOLATED (NEUTRAL) GND, or never measure the LIVE GND and ISOLATED (NEUTRAL) GND at the same time using measuring instruments (oscilloscope, etc.). It may blow fuses or damage other parts.

■ DEVIATION TOLERANCE RANGE

DEVIATION TOLERANCE RANGE									
F	G	J	K	M	N	R	H	Z	P
± 1%	± 2%	± 5%	±10%	±20%	±30%	+30% -10%	+50% -10%	+80% -20%	+100% -0%

Exploded view of general assembly

Block No.M1MM



The parts without symbol number are not service.

MODEL	MARK	MODEL	MARK	MODEL	MARK	MODEL	MARK
KW-ADV793J	A	KW-AVX730E	B	KW-AVX730EE	C	KW-AVX730J	D
KW-AVX735EU	E	KW-AVX735U	F	KW-AVX735UN	G	KW-AVX736A	H
KW-AVX736EU	I	KW-AVX736U	J	KW-AVX736UN	K	KW-AVX736UT	L
KW-AVX736UW	M	KW-AVX738JW	N	KW-AVX830E	O	KW-AVX830J	P
KW-AVX835EU	Q	KW-AVX835U	R	KW-AVX835UN	S	KW-AVX836A	T
KW-AVX836EU	U	KW-AVX836U	V	KW-AVX836UN	W	KW-AVX836UT	X
KW-AVX836UW	Y	KW-AVX838JW	Z	KW-AVX838UF	AA		

Safe	Symbol No.	Parts No.	Parts Name	Description	QTY	Local
General assembly <M1MM>						
	1	LV22458-002A	B CHASSIS ASSY		1	
	2	LV44666-003A	ROLLER(SLD)		4	
	3	QYWFM315013	WASHER	5mm/3.1mm x 0.13mm	4	
	4	QYWDL164035	SLIT WASHER	4mm/1.6mm x 0.35mm	4	
	5	LV36940-002A	RAIL GUIDE		2	
	6	LV37308-001A	GUIDE SPRING(L)		1	
	7	LV37309-001A	GUIDE SPRING(R)		1	
	8	LV40846-053A	SPACER(F)		1	
	9	QYSPSFT1745ZA	TAP SCREW	M1.7 x 4.5mm	2	
	10	QYSPSFT1745ZA	TAP SCREW	M1.7 x 4.5mm	2	
	11	LV36514-010A	DRIVE PLATE ASS		1	
	12	LV44453-004A	FRICTION SPRING		2	
	13	LV36516-001A	RACK GEAR		1	
	14	LV36517-003A	PHOTO PLATE		1	
	15	LV44159-004A	MINI SCREW		2	
	16	LV44159-004A	MINI SCREW		3	
	17	LV44159-004A	MINI SCREW		2	
	18	LV36509-002A	DR.CHASSIS ASSY		1	
	19	QAR0378-002	FEED MOTOR		1	
	20	WJM0460-001A-E	E-SI C WIRE C-F		1	
	21	QYWFM265013	WASHER	5mm/2.6mm x 0.13mm	3	
	22	LV44451-001A	WORM GEAR		1	
	23	LV36511-001A	SECOND GEAR		1	
	24	LV36512-001A	THIRD GEAR		1	
	25	LV36513-001A	FORTH GEAR		1	
	26	QYWDM215025	SLIT WASHER	5mm/2.1mm x 0.25mm	3	
	27	LV44452-001A	SPRING(WORM)		1	
	28	QYSPSPT2020ZA	SCREW	M2 x 2mm	2	
	29	LV44159-004A	MINI SCREW		1	
	30	LV44615-003A	SPECIAL SCREW		3	
	31	LV40846-057A	SPACER(F)		1	
	32	LV36545-001A	PCB BKT		1	
	33	LV44159-004A	MINI SCREW		3	
	34	LV44159-004A	MINI SCREW		2	
	35	LV40847-047A	SPACER(H)		1	
	36	LV11671-001A	MID CHASSIS		1	A,B,C,E,F,G,H,I,J,K,L,M,N O,P,Q,R,S,T,U,V,W,X,Y, Z,AA
	36	LV11671-002A	MID CHASSIS		1	D
	37	LV44615-003A	SPECIAL SCREW		4	
	38	LV44615-003A	SPECIAL SCREW		4	
	39	QUQK05-1405AC-E	FFC WIRE	14pin 5cm	1	
	40	LV22810-001A	CENTER CHASSIS		1	
	41	LV40847-019A	SPACER(H)		1	
	42	LV44615-003A	SPECIAL SCREW		3	
	43	LV44615-003A	SPECIAL SCREW		3	
	44	LV22809-002A	REAR BKT A		1	A,B,C,D,N,P,Z
	44	LV22809-003A	REAR BKT A		1	E,F,G,H,I,J,K,L,M,Q,R,S,T U,V,W,X,Y,AA O
	44	LV22809-001A	REAR BKT A		1	
	45	LV38885-001A	FAN BKT		1	
	46	QAR0455-001	COOLING FAN		1	
	47	LV40847-034A	SPACER(H)		1	
	48	LV41200-004A	SPECIAL SCREW		1	
	49	LV41200-004A	SPECIAL SCREW		2	
	50	LV41200-004A	SPECIAL SCREW		1	
	51	LV41200-004A	SPECIAL SCREW		1	
	52	LV41200-004A	SPECIAL SCREW		1	A,B,C,D,N,P,Z
	53	QYSDSF3010ZA	TAP SCREW	M3 x 10mm	3	
	54	LV38884-001A	REAR BKT B		1	
	55	LV41200-004A	SPECIAL SCREW		2	
	56	LV41200-004A	SPECIAL SCREW		2	
	57	LV11669-001A	TOP CHASSIS		1	
	58	LV44800-004A	SPECIAL SCREW		3	
	59	QUQU05-5011BC-E	FFC WIRE	50pin 11cm	1	
	60	LV41200-004A	SPECIAL SCREW		3	
	61	LV38882-001A	SIDE HEAT SINK		1	
	62	GE40377-003A	SPECIAL SCREW		3	
	63	LV41200-007A	SPECIAL SCREW		2	
	64	LV38883-001A	REAR HEAT SINK		1	
	65	GE40377-003A	SPECIAL SCREW		3	
	66	LV41200-004A	SPECIAL SCREW		3	
	67	LV41200-004A	SPECIAL SCREW		1	A,D,N,O,P,Q,R,S,T,U,V,W X,Y,Z,AA
	68	LV41200-004A	SPECIAL SCREW		1	
	69	LV11672-012A	FRONT CHASSIS		1	A,D
	69	LV11672-011A	FRONT CHASSIS		1	B,C,E,F,G,H,I,J,K,L,M
	69	LV11672-010A	FRONT CHASSIS		1	N
	69	LV11672-008A	FRONT CHASSIS		1	O,Q,R,S,T,U,V,W,X,Y,AA
	69	LV11672-007A	FRONT CHASSIS		1	P

MODEL	MARK	MODEL	MARK	MODEL	MARK	MODEL	MARK
KW-ADV793J	A	KW-AVX730E	B	KW-AVX730EE	C	KW-AVX730J	D
KW-AVX735EU	E	KW-AVX735U	F	KW-AVX735UN	G	KW-AVX736A	H
KW-AVX736EU	I	KW-AVX736U	J	KW-AVX736UN	K	KW-AVX736UT	L
KW-AVX736UW	M	KW-AVX738JW	N	KW-AVX830E	O	KW-AVX830J	P
KW-AVX835EU	Q	KW-AVX835U	R	KW-AVX835UN	S	KW-AVX836A	T
KW-AVX836EU	U	KW-AVX836U	V	KW-AVX836UN	W	KW-AVX836UT	X
KW-AVX836UW	Y	KW-AVX838JW	Z	KW-AVX838UF	AA		

Safe	Symbol No.	Parts No.	Parts Name	Description	QTY	Local
69		LV11672-009A	FRONT CHASSIS		1	Z
70		LV45134-002A	BLIND		1	
71		LV22811-001A	FPC GUIDE		1	
72		QYSDST2006MA	TAP SCREW	M2 x 6mm	3	
73		LV43819-008A	SPECIAL SCREW		4	
74		LV44470-002A	SPECIAL SCREW		2	
75		LV45039-001A	WAVE WASHER		2	
76		QJJ075-060801-E	SIN CR C-C W		1	
77		LV40847-016A	SPACER(H)		1	
78		QAM1278-001	CAR CABLE		1	
79		QAM1077-007	CAR CABLE		1	
80		QAM1281-001	CAR CABLE		1	A,D,N
80		QAM1279-001	CAR CABLE		1	O,P,Z
80		QAM1280-001	CAR CABLE		1	Q,R,S,T,U,V,W,X,Y,AA
81		GE40101-001A	PIN CAP		2	A,D,N,O,P,Z
81		GE40101-001A	PIN CAP		1	
						B,C,E,F,G,H,I,J,K,L,M,Q, R,S,T,U,V,W,X,Y,AA
82		LV37925-002A	FRONT BKT ASSY		1	
83		LV45031-001A	KICK SHAFT		2	
84		LV37971-001A	KICK LEVER		2	
85		LV45033-001A	KICK SPRING		2	
86		LV45032-001A	HOLD SHAFT		1	
87		LV37972-001A	HOLD LEVER		1	
88		LV45034-001A	HOLD SPRING		1	
89		QYSPSTU2045MA	TAP SCREW	M2 x 4.5mm	3	
90		LV44468-002A	SPRING		2	
91		LV44469-001A	ROLLER		2	
92		LV44471-003A	TOR SPRING		1	
93		QYWFM628050	WASHER	8mm/6.2mm x 0.5mm	2	
94		LV44159-007A	MINI SCREW		4	
95		QYSPSGU2040MA	TAP SCREW	M2 x 4mm	4	
96		LV43971-001A	SHEET		2	
97		LV40846-062A	SPACER(F)		2	
98		QNZ0988-002	CAR CONNECTOR		2	
99		LV11668-003A	FRONT PANEL		1	A
99		LV11668-002A	FRONT PANEL		1	B,C,D
99		LV11668-004A	FRONT PANEL		1	E,F,G
99		LV11668-005A	FRONT PANEL		1	H,I,J,K,L,M
99		LV11668-001A	FRONT PANEL		1	N
99		LV11668-006A	FRONT PANEL		1	O,P
99		LV11668-008A	FRONT PANEL		1	Q,R,S
99		LV11668-009A	FRONT PANEL		1	T,U,V,W,X,Y
99		LV11668-007A	FRONT PANEL		1	Z,AA
100		GE33537-001A	JVC BADGE TOP		1	A,D,N,O,P,Q,R,S,T,U,V,W, X,Y,Z,AA
100		GE33537-002A	JVC BADGE TOP		1	B,C,E,F,G,H,I,J,K,L,M
101		GE33538-005A	JVC BADGE BASE		1	
						A,D,N,O,P,Q,R,S,T,U,V,W, X,Y,Z,AA
101		GE33538-004A	JVC BADGE BASE		1	B,C,E,F,G,H,I,J,K,L,M
102		GE33535-001A	REMOTE LENS		2	
103		GE33533-001A	POWER DISP BTN		1	
						A,B,C,D,H,I,J,K,L,M,N,O, P,T,U,V,W,X,Y,Z,AA
103		GE33533-002A	POWER DISP BTN		1	E,F,G,Q,R,S
104		GE33534-001A	VOLUME BUTTON		1	
						A,B,C,D,H,I,J,K,L,M,N,O, P,T,U,V,W,X,Y,Z,AA
104		GE33534-002A	VOLUME BUTTON		1	E,F,G,Q,R,S
105		GE33539-001A	MENU SOURCE BTN		1	
						A,B,C,D,H,I,J,K,L,M,N,O, P,T,U,V,W,X,Y,Z,AA
105		GE33539-005A	MENU SOURCE BTN		1	E,Q
105		GE33539-004A	MENU SOURCE BTN		1	F,G,R,S
106		GE33540-001A	OPEN USB BTN		1	
						A,B,C,D,H,I,J,K,L,M,N,O, P,T,U,V,W,X,Y,Z,AA
106		GE33540-003A	OPEN USB BTN		1	E,F,G,Q,R,S
107		GE20255-004A	BUTTON BASE L		1	
						A,B,C,D,H,I,J,K,L,M,N,O, P,T,U,V,W,X,Y,Z,AA
107		GE20255-005A	BUTTON BASE L		1	E,F,G,Q,R,S
108		GE20256-013A	BUTTON BASE R		1	
						A,D,H,J,K,L,M,N,P,T,V,W, X,Y,Z,AA
108		GE20256-012A	BUTTON BASE R		1	B,C,I,O,U
108		GE20256-011A	BUTTON BASE R		1	E,F,G,Q,R,S
109		GE20257-001A	PCB COVER		1	
110		LV44464-001A	SPECIAL SCREW		4	
111		LV40848-091A	SPACER(P)		1	
112		LV38887-001A	PANEL BKT ASSY		1	
113		LV40847-059A	SPACER(H)		5	

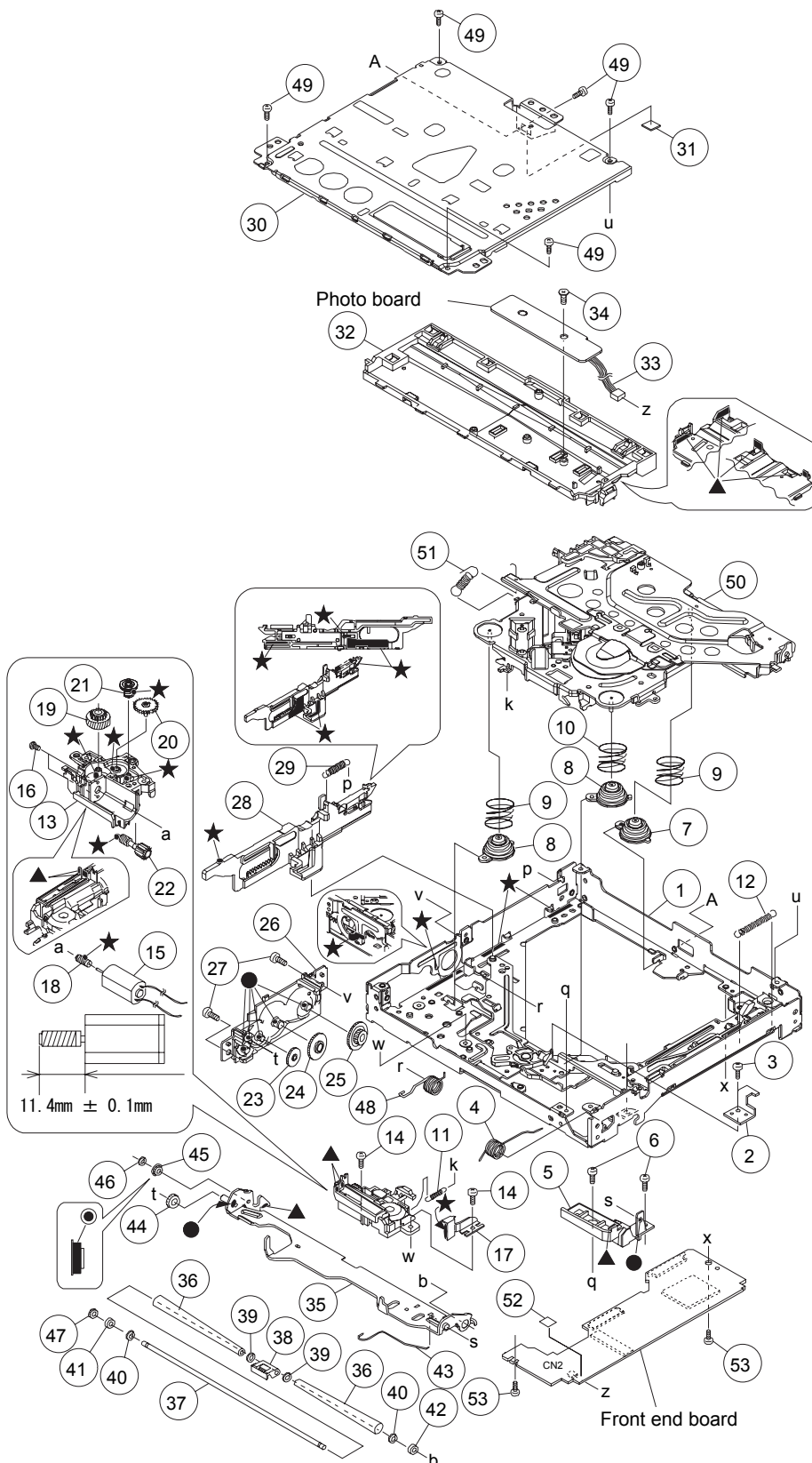
MODEL	MARK	MODEL	MARK	MODEL	MARK	MODEL	MARK
KW-ADV793J	A	KW-AVX730E	B	KW-AVX730EE	C	KW-AVX730J	D
KW-AVX735EU	E	KW-AVX735U	F	KW-AVX735UN	G	KW-AVX736A	H
KW-AVX736EU	I	KW-AVX736U	J	KW-AVX736UN	K	KW-AVX736UT	L
KW-AVX736UW	M	KW-AVX738JW	N	KW-AVX830E	O	KW-AVX830J	P
KW-AVX835EU	Q	KW-AVX835U	R	KW-AVX835UN	S	KW-AVX836A	T
KW-AVX836EU	U	KW-AVX836U	V	KW-AVX836UN	W	KW-AVX836UT	X
KW-AVX836UW	Y	KW-AVX838JW	Z	KW-AVX838UF	AA		

Safe	Symbol No.	Parts No.	Parts Name	Description	QTY	Local
	114	LV45389-001A	EARTH PLATE L		1	
	115	LV44615-003A	SPECIAL SCREW		7	
	116	LV11521-002A	REAR COVER		1	
	117	LV37929-002A	D BUTTON		1	
	118	LV45035-001A	D BUTTON SPRING		1	
	119	LV37922-001A	D BUTTON COVER		1	
	120	LV37923-002A	EARTH PLATE R		1	
	121	QYSDSF2005ZA	TAP SCREW	M2 x 5mm	2	
	122	LV45065-003A	SPECIAL SCREW		5	
	123	QYSDST2006MA	TAP SCREW	M2 x 6mm	5	
	124	LV45065-003A	SPECIAL SCREW		10	
						A,B,C,D,H,I,J,K,L,M,N,O, P,T,U,V,W,X,Y,Z,AA E,F,G,Q,R,S
	124	LV45065-002A	SPECIAL SCREW		10	
	125	QLD0647-001	LCD MODULE		1	
	126	QAL1243-001	TOUCH PANEL		1	
	127	LV40848-092A	SPACER(P)		1	
	128	QAL1053-002	FPC		1	
	129	QUQK05-2807AC-E	FFC WIRE	28pin 7cm	1	
	130	QUQK05-1607AC-E	FFC WIRE	16pin 7cm	1	
	131	LV44615-003A	SPECIAL SCREW		4	O,P,Q,R,S,T,U,V,W,X,Y,Z ,AA
	132	QUQK05-0913AC-E	FFC WIRE	9pin 13cm	1	E,F,G,H,I,J,K,L,M,Q,R,S,T ,U,V,W,X,Y,AA
	133	QUQK05-1207AC-E	FFC WIRE	12pin 7cm	1	O,P,Q,R,S,T,U,V,W,X,Y,Z ,AA
	134	LV38990-001A	NAME PLATE		1	A
	134	LV38993-002A	NAME PLATE		1	B
	134	LV38999-001A	NAME PLATE		1	C
	134	LV39220-001A	NAME PLATE		1	D
	134	LV38995-002A	NAME PLATE		1	E
	134	LV39000-001A	NAME PLATE		1	F,G
	134	LV39004-001A	NAME PLATE		1	H
	134	LV38996-002A	NAME PLATE		1	I
	134	LV39001-001A	NAME PLATE		1	J,K,L,M
	134	LV38991-001A	NAME PLATE		1	N
	134	LV38994-002A	NAME PLATE		1	O
	134	LV38989-001A	NAME PLATE		1	P
	134	LV38997-002A	NAME PLATE		1	Q
	134	LV39002-001A	NAME PLATE		1	R,S
	134	LV39005-001A	NAME PLATE		1	T
	134	LV38998-002A	NAME PLATE		1	U
	134	LV39003-001A	NAME PLATE		1	V,W,X,Y
	134	LV38992-001A	NAME PLATE		1	Z
	134	LV39006-002A	NAME PLATE		1	AA
△	135	GE40442-001A	FCC RULE LABEL		1	A,D,P
△	136	LV35755-037A	UT LABEL		1	L
△	136	LV35755-038A	UT LABEL		1	X
	137	LV45398-001A	REG IC BKT		1	
	138	LV43967-001A	IC BRACKET(POW)		1	
	139	LV38886-001A	RGB BKT		1	
						E,F,G,H,I,J,K,L,M,Q,R,S,T ,U,V,W,X,Y,AA
△	140	QMFZ064-150-J1	FUSE	15A	1	
	141	LV22812-002A	SLEEVE ASSY		1	A,B,C,D,E,I,N,O,P,Q,U,Z
	142	LV36544-001A	TRANSPORT BKT		2	F,G,H,J,K,L,M,R,S,T,V,W, X,Y,AA
	143	QYSSSP5008ZA	SCREW	M5 x 8mm	4	A,B,C,D,E,I,N,O,P,Q,U,Z
	143	QYSDSP5008ZA	SCREW	M5 x 8mm	4	F,G,H,J,K,L,M,R,S,T,V,W, X,Y,AA
	144	LV22463-005A	TRIM PLATE		1	A,B,C,D,I,N,O,P,U,Z
	144	LV22463-003A	TRIM PLATE		1	E,Q

DVD mechanism assembly

FMU-XD6-11D

Block No.MJMM



- Grease
- ★ = JVG-31N
 - = JVS-1003
 - ▲ = CFD-006ZR
 - = JC-803B
 - = 1401C
 - ▽ = G332

The parts without symbol number are not service.

MODEL	MARK	MODEL	MARK	MODEL	MARK	MODEL	MARK
KW-ADV793J	A	KW-AVX730E	B	KW-AVX730EE	C	KW-AVX730J	D
KW-AVX735EU	E	KW-AVX735U	F	KW-AVX735UN	G	KW-AVX736A	H
KW-AVX736EU	I	KW-AVX736U	J	KW-AVX736UN	K	KW-AVX736UT	L
KW-AVX736UW	M	KW-AVX738JW	N	KW-AVX830E	O	KW-AVX830J	P
KW-AVX835EU	Q	KW-AVX835U	R	KW-AVX835UN	S	KW-AVX836A	T
KW-AVX836EU	U	KW-AVX836U	V	KW-AVX836UN	W	KW-AVX836UT	X
KW-AVX836UW	Y	KW-AVX838JW	Z	KW-AVX838UF	AA		

Safe	Symbol No.	Parts No.	Parts Name	Description	QTY	Local
			DVD mechanism (FMU-XD6-11D) <MJMM>			
	1	LV11434-009A	FRAME UNIT		1	A,B,C,D,E,F,G,H,I,J,K,L,M .N,O,P,Q,R,S,T,U,V,W,X, Y,Z,AA
	2	LV45021-001A	STOPPER		1	A,B,C,D,E,F,G,H,I,J,K,L,M .N,O,P,Q,R,S,T,U,V,W,X, Y,Z,AA
	3	LV44959-002A	SPECIAL SCREW		1	A,B,C,D,E,F,G,H,I,J,K,L,M .N,O,P,Q,R,S,T,U,V,W,X, Y,Z,AA
	4	LV45249-002A	L A SPRING(R) 2		1	A,B,C,D,E,F,G,H,I,J,K,L,M .N,O,P,Q,R,S,T,U,V,W,X, Y,Z,AA
	5	LV37639-002A	L ARM HOLDER		1	A,B,C,D,E,F,G,H,I,J,K,L,M .N,O,P,Q,R,S,T,U,V,W,X, Y,Z,AA
	6	VKZ4539-054	MINI SCREW		2	A,B,C,D,E,F,G,H,I,J,K,L,M .N,O,P,Q,R,S,T,U,V,W,X, Y,Z,AA
	7	LV37640-001A	DAMPER(R)		1	A,B,C,D,E,F,G,H,I,J,K,L,M .N,O,P,Q,R,S,T,U,V,W,X, Y,Z,AA
	8	LV37641-001A	DAMPER(F)		2	A,B,C,D,E,F,G,H,I,J,K,L,M .N,O,P,Q,R,S,T,U,V,W,X, Y,Z,AA
	9	LV45074-001A	DAMPER SPRING B		2	A,B,C,D,E,F,G,H,I,J,K,L,M .N,O,P,Q,R,S,T,U,V,W,X, Y,Z,AA
	10	LV45073-001A	DAMPER SPRING A		1	A,B,C,D,E,F,G,H,I,J,K,L,M .N,O,P,Q,R,S,T,U,V,W,X, Y,Z,AA
	11	LV44897-002A	FLOATING SPRING		1	A,B,C,D,E,F,G,H,I,J,K,L,M .N,O,P,Q,R,S,T,U,V,W,X, Y,Z,AA
	12	LV44894-001A	LOCK SLIDER SPR		1	A,B,C,D,E,F,G,H,I,J,K,L,M .N,O,P,Q,R,S,T,U,V,W,X, Y,Z,AA
	13	LV11436-001A	MOTOR HOLDER		1	A,B,C,D,E,F,G,H,I,J,K,L,M .N,O,P,Q,R,S,T,U,V,W,X, Y,Z,AA
	14	LV45135-001A	MINI TAP SCREW		2	A,B,C,D,E,F,G,H,I,J,K,L,M .N,O,P,Q,R,S,T,U,V,W,X, Y,Z,AA
	15	QAR0465-001	LOADING MOTOR		1	A,B,C,D,E,F,G,H,I,J,K,L,M .N,O,P,Q,R,S,T,U,V,W,X, Y,Z,AA
	16	QYSPSPU1425MA	SCREW	M1.4 x 2.5mm	2	A,B,C,D,E,F,G,H,I,J,K,L,M .N,O,P,Q,R,S,T,U,V,W,X, Y,Z,AA
	17	LV37642-001A	MOTOR TH SPRING		1	A,B,C,D,E,F,G,H,I,J,K,L,M .N,O,P,Q,R,S,T,U,V,W,X, Y,Z,AA
	18	LV37643-002A	MOTOR WORM GEAR		1	A,B,C,D,E,F,G,H,I,J,K,L,M .N,O,P,Q,R,S,T,U,V,W,X, Y,Z,AA
	19	LV37644-002A	M WHEEL GEAR		1	A,B,C,D,E,F,G,H,I,J,K,L,M .N,O,P,Q,R,S,T,U,V,W,X, Y,Z,AA
	20	LV37645-002A	M CONNECT GEAR		1	A,B,C,D,E,F,G,H,I,J,K,L,M .N,O,P,Q,R,S,T,U,V,W,X, Y,Z,AA
	21	LV37646-001A	A WORM GEAR		1	A,B,C,D,E,F,G,H,I,J,K,L,M .N,O,P,Q,R,S,T,U,V,W,X, Y,Z,AA

MODEL	MARK	MODEL	MARK	MODEL	MARK	MODEL	MARK
KW-ADV793J	A	KW-AVX730E	B	KW-AVX730EE	C	KW-AVX730J	D
KW-AVX735EU	E	KW-AVX735U	F	KW-AVX735UN	G	KW-AVX736A	H
KW-AVX736EU	I	KW-AVX736U	J	KW-AVX736UN	K	KW-AVX736UT	L
KW-AVX736UW	M	KW-AVX738JW	N	KW-AVX830E	O	KW-AVX830J	P
KW-AVX835EU	Q	KW-AVX835U	R	KW-AVX835UN	S	KW-AVX836A	T
KW-AVX836EU	U	KW-AVX836U	V	KW-AVX836UN	W	KW-AVX836UT	X
KW-AVX836UW	Y	KW-AVX838JW	Z	KW-AVX838UF	AA		

Safe	Symbol No.	Parts No.	Parts Name	Description	QTY	Local
	22	LV37647-001A	A WHEEL GEAR		1	A,B,C,D,E,F,G,H,I,J,K,L,M .N,O,P,Q,R,S,T,U,V,W,X, Y,Z,AA
	23	LV37648-001A	ACT GEAR		1	A,B,C,D,E,F,G,H,I,J,K,L,M .N,O,P,Q,R,S,T,U,V,W,X, Y,Z,AA
	24	LV37649-001A	A CONNECT GAER		1	A,B,C,D,E,F,G,H,I,J,K,L,M .N,O,P,Q,R,S,T,U,V,W,X, Y,Z,AA
	25	LV37650-001A	LOAD GAER		1	A,B,C,D,E,F,G,H,I,J,K,L,M .N,O,P,Q,R,S,T,U,V,W,X, Y,Z,AA
	26	LV22553-003A	GEAR BASE		1	A,B,C,D,E,F,G,H,I,J,K,L,M .N,O,P,Q,R,S,T,U,V,W,X, Y,Z,AA
	27	VKZ4539-054	MINI SCREW		2	A,B,C,D,E,F,G,H,I,J,K,L,M .N,O,P,Q,R,S,T,U,V,W,X, Y,Z,AA
	28	LV37688-002A	SLIDE CAM ASSY		1	A,B,C,D,E,F,G,H,I,J,K,L,M .N,O,P,Q,R,S,T,U,V,W,X, Y,Z,AA
	29	LV45090-001A	S.CAM SPRING		1	A,B,C,D,E,F,G,H,I,J,K,L,M .N,O,P,Q,R,S,T,U,V,W,X, Y,Z,AA
	30	LV11437-003A	TOP COVER		1	A,B,C,D,E,F,G,H,I,J,K,L,M .N,O,P,Q,R,S,T,U,V,W,X, Y,Z,AA
	31	LV45157-001A	SPACER		1	A,B,C,D,E,F,G,H,I,J,K,L,M .N,O,P,Q,R,S,T,U,V,W,X, Y,Z,AA
	32	LV11600-001A	DISC PLATE 2		1	A,B,C,D,E,F,G,H,I,J,K,L,M .N,O,P,Q,R,S,T,U,V,W,X, Y,Z,AA
	33	WJM0515-001A-E	E-SI C WIRE C-F		1	A,B,C,D,E,F,G,H,I,J,K,L,M .N,O,P,Q,R,S,T,U,V,W,X, Y,Z,AA
	34	LV44586-001A	SPECIAL SCREW		1	A,B,C,D,E,F,G,H,I,J,K,L,M .N,O,P,Q,R,S,T,U,V,W,X, Y,Z,AA
	35	LV22735-001A	LOADING A AS 2		1	A,B,C,D,E,F,G,H,I,J,K,L,M .N,O,P,Q,R,S,T,U,V,W,X, Y,Z,AA
	36	LV44902-002A	ROLLER		2	A,B,C,D,E,F,G,H,I,J,K,L,M .N,O,P,Q,R,S,T,U,V,W,X, Y,Z,AA
	37	LV45244-001A	ROLLER SHAFT 2		1	A,B,C,D,E,F,G,H,I,J,K,L,M .N,O,P,Q,R,S,T,U,V,W,X, Y,Z,AA
	38	LV37652-002A	SHAFT GUIDE		1	A,B,C,D,E,F,G,H,I,J,K,L,M .N,O,P,Q,R,S,T,U,V,W,X, Y,Z,AA
	39	LV45252-001A	WASHER		2	A,B,C,D,E,F,G,H,I,J,K,L,M .N,O,P,Q,R,S,T,U,V,W,X, Y,Z,AA
	40	LV44960-001A	SLIT WASHER		2	A,B,C,D,E,F,G,H,I,J,K,L,M .N,O,P,Q,R,S,T,U,V,W,X, Y,Z,AA
	41	LV44904-001A	ROLLER COLLAR L		1	A,B,C,D,E,F,G,H,I,J,K,L,M .N,O,P,Q,R,S,T,U,V,W,X, Y,Z,AA
	42	LV45221-001A	R. COLLAR R2		1	A,B,C,D,E,F,G,H,I,J,K,L,M .N,O,P,Q,R,S,T,U,V,W,X, Y,Z,AA
	43	LV45235-001A	L ARM ROD		1	A,B,C,D,E,F,G,H,I,J,K,L,M .N,O,P,Q,R,S,T,U,V,W,X, Y,Z,AA

MODEL	MARK	MODEL	MARK	MODEL	MARK	MODEL	MARK
KW-ADV793J	A	KW-AVX730E	B	KW-AVX730EE	C	KW-AVX730J	D
KW-AVX735EU	E	KW-AVX735U	F	KW-AVX735UN	G	KW-AVX736A	H
KW-AVX736EU	I	KW-AVX736U	J	KW-AVX736UN	K	KW-AVX736UT	L
KW-AVX736UW	M	KW-AVX738JW	N	KW-AVX830E	O	KW-AVX830J	P
KW-AVX835EU	Q	KW-AVX835U	R	KW-AVX835UN	S	KW-AVX836A	T
KW-AVX836EU	U	KW-AVX836U	V	KW-AVX836UN	W	KW-AVX836UT	X
KW-AVX836UW	Y	KW-AVX838JW	Z	KW-AVX838UF	AA		

Safe	Symbol No.	Parts No.	Parts Name	Description	QTY	Local
	44	LV37653-001A	CONNECT GEAR		1	A,B,C,D,E,F,G,H,I,J,K,L,M .N,O,P,Q,R,S,T,U,V,W,X, Y,Z,AA
	45	LV37654-001A	MIDDLE GEAR		1	A,B,C,D,E,F,G,H,I,J,K,L,M .N,O,P,Q,R,S,T,U,V,W,X, Y,Z,AA
	46	QYWDL1735250	SLIT WASHER	3.5mm/1.7mm x 0.25mm	1	A,B,C,D,E,F,G,H,I,J,K,L,M .N,O,P,Q,R,S,T,U,V,W,X, Y,Z,AA
	47	LV37655-001A	ROLLER GAER		1	A,B,C,D,E,F,G,H,I,J,K,L,M .N,O,P,Q,R,S,T,U,V,W,X, Y,Z,AA
	48	LV45248-001A	L A SPRING(L) 2		1	A,B,C,D,E,F,G,H,I,J,K,L,M .N,O,P,Q,R,S,T,U,V,W,X, Y,Z,AA
	49	VKZ4539-054	MINI SCREW		5	A,B,C,D,E,F,G,H,I,J,K,L,M .N,O,P,Q,R,S,T,U,V,W,X, Y,Z,AA
	50	CM-FMUXD3D	TRA MECHA UNIT		1	A,B,C,D,E,F,G,H,I,J,K,L,M .N,O,P,Q,R,S,T,U,V,W,X, Y,Z,AA
	51	LV44910-002A	CLAMPER SPRING		1	A,B,C,D,E,F,G,H,I,J,K,L,M .N,O,P,Q,R,S,T,U,V,W,X, Y,Z,AA
	52	LV45289-002A	SPACER(P)		1	A,B,C,D,E,F,G,H,I,J,K,L,M .N,O,P,Q,R,S,T,U,V,W,X, Y,Z,AA
	53	VKZ4539-054	MINI SCREW		2	A,B,C,D,E,F,G,H,I,J,K,L,M .N,O,P,Q,R,S,T,U,V,W,X, Y,Z,AA

Electrical parts list Main board <01>

△	IC11	TEF6606T/V5-X	IC		1	
	IC31	LC72725KV-X	IC		1	B,C,E,I,O,Q,U
△	IC101	TB2926CHQ	IC		1	
	IC111	NJM4565E-X	IC		1	
	IC121	NJM4565E-X	IC		1	
	IC131	NJM4565E-X	IC		1	
	IC141	TDA7718N-X	IC		1	
△	IC701	JVM454D	IC(MCU)		1	A,B,C,D,E,F,G,H,I,J,K,L,M .N
△	IC701	JVM450D	IC(MCU)		1	O,P,Q,R,S,T,U,V,W,X,Y,Z ,AA
	IC721	R1EX24032ASAA-X	IC		1	
	IC721	M24C32-RMN6-X	IC(DIGITAL)		1	
	IC731	S-80824CNNB-G-W	IC		1	
△	IC801	R2S25400DS-E	IC		1	
△	IC802	BD9781HFP-W	IC		1	
△	IC803	BA9743AFV-X	IC		1	
	IC821	NJM2878F4-33-X	IC		1	
	IC931	TC74VHCT126AFTX	IC		1	A,B,C,D,N,P,Z
	IC981	BA6956AN	IC		1	
	Q791	RT1N441C-X	TRANSISTOR		1	
	Q791	or DTC144EKA-X	DIGI TRANSISTOR		1	
	Q799	RT1N441C-X	TRANSISTOR		1	
	Q799	or DTC144EKA-X	DIGI TRANSISTOR		1	
	Q801	RT1N441C-X	TRANSISTOR		1	
	Q801	or DTC144EKA-X	DIGI TRANSISTOR		1	
	Q802	RT1P441C-X	DIGI TRANSISTOR		1	
	Q802	or DTA144EKA-X	DIGI TRANSISTOR		1	
	Q821	RT1P141C-X	DIGI TRANSISTOR		1	
	Q821	or DTA114EKA-X	DIGI TRANSISTOR		1	
	Q822	RT1N441C-X	TRANSISTOR		1	
	Q822	or DTC144EKA-X	DIGI TRANSISTOR		1	
	Q871	MTM98140-X	TRANSISTOR		1	
	Q872	RT1P141C-X	DIGI TRANSISTOR		1	
	Q872	or DTA114EKA-X	DIGI TRANSISTOR		1	
	Q873	RT1N441C-X	TRANSISTOR		1	
	Q873	or DTC144EKA-X	DIGI TRANSISTOR		1	
	Q874	RT1N141C-X	DIGI TRANSISTOR		1	
	Q874	or DTC114EKA-X	DIGI TRANSISTOR		1	
	Q875	RT1P141C-X	DIGI TRANSISTOR		1	
	Q875	or DTA114EKA-X	DIGI TRANSISTOR		1	
	Q881	RSQ030P03-W	MOS FET		1	
	Q882	RT1N141C-X	DIGI TRANSISTOR		1	

MODEL	MARK	MODEL	MARK	MODEL	MARK	MODEL	MARK
KW-ADV793J	A	KW-AVX730E	B	KW-AVX730EE	C	KW-AVX730J	D
KW-AVX735EU	E	KW-AVX735U	F	KW-AVX735UN	G	KW-AVX736A	H
KW-AVX736EU	I	KW-AVX736U	J	KW-AVX736UN	K	KW-AVX736UT	L
KW-AVX736UW	M	KW-AVX738JW	N	KW-AVX830E	O	KW-AVX830J	P
KW-AVX835EU	Q	KW-AVX835U	R	KW-AVX835UN	S	KW-AVX836A	T
KW-AVX836EU	U	KW-AVX836U	V	KW-AVX836UN	W	KW-AVX836UT	X
KW-AVX836UW	Y	KW-AVX838JW	Z	KW-AVX838UF	AA		

Safe	Symbol No.	Parts No.	Parts Name	Description	QTY	Local
	Q882	or	DTC114EKA-X	DIGI TRANSISTOR	1	
	Q921		RSQ030P03-W	MOS FET	1	
	Q922		RT1N441C-X	TRANSISTOR	1	
	Q922	or	DTC144EKA-X	DIGI TRANSISTOR	1	
	Q951		2SC1623A/5-6/-X	TRANSISTOR	1	
	Q951	or	2SC3928A/QR/-X	TRANSISTOR	1	
	Q971		RT1N441C-X	TRANSISTOR	1	
	Q971	or	DTC144EKA-X	DIGI TRANSISTOR	1	
	Q972		2SA812A/5-6/-X	TRANSISTOR	1	
	Q972	or	ISA1530AC1/QR/X	TRANSISTOR	1	
	Q981		RT1N141C-X	DIGI TRANSISTOR	1	
	Q981	or	DTC114EKA-X	DIGI TRANSISTOR	1	
	Q1121		IMX9-W	PAIR TRANSISTOR	1	
	Q1221		IMX9-W	PAIR TRANSISTOR	1	
	Q1303		RT1N441C-X	TRANSISTOR	1	
	Q1303	or	DTC144EKA-X	DIGI TRANSISTOR	1	
	Q1304		2SC1623A/5-6/-X	TRANSISTOR	1	
	Q1304	or	2SC3928A/QR/-X	TRANSISTOR	1	
	Q1321		2SA812A/5-6/-X	TRANSISTOR	1	
	Q1321	or	ISA1530AC1/QR/X	TRANSISTOR	1	
	Q1401		2SD2704K-X	TRANSISTOR	1	
	Q1502		RT1P141C-X	DIGI TRANSISTOR	1	
	Q1502	or	DTA114EKA-X	DIGI TRANSISTOR	1	
	Q1503		RT1P141C-X	DIGI TRANSISTOR	1	
	Q1503	or	DTA114EKA-X	DIGI TRANSISTOR	1	
	Q1504		RT1P141C-X	DIGI TRANSISTOR	1	O,P,Q,R,S,T,U,V,W,X,Y,Z ,AA
	Q1504	or	DTA114EKA-X	DIGI TRANSISTOR	1	O,P,Q,R,S,T,U,V,W,X,Y,Z ,AA
	Q1505		RT1P141C-X	DIGI TRANSISTOR	1	O,P,Q,R,S,T,U,V,W,X,Y,Z ,AA
	Q1505	or	DTA114EKA-X	DIGI TRANSISTOR	1	O,P,Q,R,S,T,U,V,W,X,Y,Z ,AA
	Q1506		RT1P141C-X	DIGI TRANSISTOR	1	
	Q1506	or	DTA114EKA-X	DIGI TRANSISTOR	1	
	Q1507		RT1P141C-X	DIGI TRANSISTOR	1	
	Q1507	or	DTA114EKA-X	DIGI TRANSISTOR	1	
	Q1931		RT1N141C-X	DIGI TRANSISTOR	1	
	Q1931	or	DTC114EKA-X	DIGI TRANSISTOR	1	
	Q1941		RT1N141C-X	DIGI TRANSISTOR	1	
	Q1941	or	DTC114EKA-X	DIGI TRANSISTOR	1	
	Q1951		2SC1623A/5-6/-X	TRANSISTOR	1	
	Q1951	or	2SC3928A/QR/-X	TRANSISTOR	1	
	Q1961		RT1N141C-X	DIGI TRANSISTOR	1	
	Q1961	or	DTC114EKA-X	DIGI TRANSISTOR	1	
	Q8021		RT1N141C-X	DIGI TRANSISTOR	1	
	Q8021	or	DTC114EKA-X	DIGI TRANSISTOR	1	
	Q8031		2SB1424/QR/-W	TRANSISTOR	1	
	Q8032		RT1N144C-X	DIGI TRANSISTOR	1	
	Q8101		RSQ030P03-W	MOS FET	1	
	Q8102		2SC1623A/5-6/-X	TRANSISTOR	1	
	Q8102	or	2SC3928A/QR/-X	TRANSISTOR	1	
	Q8103		2SA812A/5-6/-X	TRANSISTOR	1	
	Q8103	or	ISA1530AC1/QR/X	TRANSISTOR	1	
	Q8104		RT1N141C-X	DIGI TRANSISTOR	1	
	Q8104	or	DTC114EKA-X	DIGI TRANSISTOR	1	
	Q8201		RTQ035N03-W	MOS FET	1	
	Q8202		2SA812A/5-6/-X	TRANSISTOR	1	
	Q8202	or	ISA1530AC1/QR/X	TRANSISTOR	1	
	Q8203		2SC1623A/5-6/-X	TRANSISTOR	1	
	Q8203	or	2SC3928A/QR/-X	TRANSISTOR	1	
	Q8301		2SC1623A/5-6/-X	TRANSISTOR	1	
	Q8301	or	2SC3928A/QR/-X	TRANSISTOR	1	
	D13		CRS03-W	SB DIODE	1	
	D751		RKZ6.2B2KG-X	Z DIODE	1	E,F,G,H,I,J,K,L,M,Q,R,S,T ,U,V,W,X,Y,AA
	D751	or	UDZW6.2B-X	Z DIODE	1	E,F,G,H,I,J,K,L,M,Q,R,S,T ,U,V,W,X,Y,AA
	D752		RKZ6.2B2KG-X	Z DIODE	1	E,F,G,H,I,J,K,L,M,Q,R,S,T ,U,V,W,X,Y,AA
	D752	or	UDZW6.2B-X	Z DIODE	1	E,F,G,H,I,J,K,L,M,Q,R,S,T ,U,V,W,X,Y,AA
	D753		RKZ6.2B2KG-X	Z DIODE	1	E,F,G,H,I,J,K,L,M,Q,R,S,T ,U,V,W,X,Y,AA

MODEL	MARK	MODEL	MARK	MODEL	MARK	MODEL	MARK
KW-ADV793J	A	KW-AVX730E	B	KW-AVX730EE	C	KW-AVX730J	D
KW-AVX735EU	E	KW-AVX735U	F	KW-AVX735UN	G	KW-AVX736A	H
KW-AVX736EU	I	KW-AVX736U	J	KW-AVX736UN	K	KW-AVX736UT	L
KW-AVX736UW	M	KW-AVX738JW	N	KW-AVX830E	O	KW-AVX830J	P
KW-AVX835EU	Q	KW-AVX835U	R	KW-AVX835UN	S	KW-AVX836A	T
KW-AVX836EU	U	KW-AVX836U	V	KW-AVX836UN	W	KW-AVX836UT	X
KW-AVX836UW	Y	KW-AVX838JW	Z	KW-AVX838UF	AA		

Safe	Symbol No.	Parts No.	Parts Name	Description	QTY	Local
	D753	or UDZW6.2B-X	Z DIODE		1	
	D754	RKZ6.2B2KG-X	Z DIODE		1	E,F,G,H,I,J,K,L,M,Q,R,S,T
	D754	or UDZW6.2B-X	Z DIODE		1	U,V,W,X,Y,AA
	D762	RKZ6.2B2KG-X	Z DIODE		1	
	D762	or UDZW6.2B-X	Z DIODE		1	
	D765	RKZ6.2B2KG-X	Z DIODE		1	
	D765	or UDZW6.2B-X	Z DIODE		1	
	D766	RKZ6.2B2KG-X	Z DIODE		1	
	D766	or UDZW6.2B-X	Z DIODE		1	
	D767	RKZ6.2B2KG-X	Z DIODE		1	
	D767	or UDZW6.2B-X	Z DIODE		1	
	D768	RKZ6.2B2KG-X	Z DIODE		1	
	D768	or UDZW6.2B-X	Z DIODE		1	
	D769	RKZ6.2B2KG-X	Z DIODE		1	
	D769	or UDZW6.2B-X	Z DIODE		1	
	D770	RKZ6.2B2KG-X	Z DIODE		1	
	D770	or UDZW6.2B-X	Z DIODE		1	
	D771	RKZ6.2B2KG-X	Z DIODE		1	
	D771	or UDZW6.2B-X	Z DIODE		1	
	D774	RKZ6.2B2KG-X	Z DIODE		1	
	D774	or UDZW6.2B-X	Z DIODE		1	
	D775	RKZ6.2B2KG-X	Z DIODE		1	
	D775	or UDZW6.2B-X	Z DIODE		1	
	D776	RKZ6.2B2KG-X	Z DIODE		1	
	D776	or UDZW6.2B-X	Z DIODE		1	
	D778	RKZ6.2B2KG-X	Z DIODE		1	
	D778	or UDZW6.2B-X	Z DIODE		1	
	D780	RKZ6.2B2KG-X	Z DIODE		1	
	D780	or UDZW6.2B-X	Z DIODE		1	
	D811	HSU119-X	SI DIODE		1	
	D821	HSU119-X	SI DIODE		1	
	D871	RKZ18B2KG-X	Z DIODE		1	
	D871	or UDZW18B-X	Z DIODE		1	
△	D901	1N5401-BPC04	SI DIODE		1	
	D981	CRS03-W	SB DIODE		1	
	D982	RKZ5.6B2KG-X	Z DIODE		1	
	D982	or UDZW5.6B-X	Z DIODE		1	
	D1121	MC2836-X	DIODE		1	
	D1121	or DAP202K-X	SI DIODE		1	
	D1221	MC2836-X	DIODE		1	
	D1221	or DAP202K-X	SI DIODE		1	
	D1302	HSU119-X	SI DIODE		1	
	D1321	RKZ10B2KG-X	Z DIODE		1	
	D1321	or UDZW10B-X	Z DIODE		1	
	D1351	HSU119-X	SI DIODE		1	
	D1352	HSU119-X	SI DIODE		1	
	D1381	CRS03-W	SB DIODE		1	A,B,C,D,N,P,Z
	D1501	MC2838-X	DIODE		1	
	D1501	or DAN202K-X	SI DIODE		1	
	D1502	RKZ11B2KG-X	Z DIODE		1	
	D1502	or UDZW11B-X	Z DIODE		1	
	D1505	HSU119-X	SI DIODE		1	
	D1911	CRS03-W	SB DIODE		1	
	D1912	CRS03-W	SB DIODE		1	
	D1921	CRS03-W	SB DIODE		1	A,D,F,G,H,J,K,L,M,N,P,R, S,T,V,W,X,Y,Z,AA
	D1922	CRS03-W	SB DIODE		1	A,D,F,G,H,J,K,L,M,N,P,R, S,T,V,W,X,Y,Z,AA
	D1931	MC2836-X	DIODE		1	
	D1931	or DAP202K-X	SI DIODE		1	
	D1941	HSU119-X	SI DIODE		1	
	D1961	RKZ18B2KG-X	Z DIODE		1	
	D1961	or UDZW18B-X	Z DIODE		1	
	D1971	RKZ6.2B2KG-X	Z DIODE		1	
	D1971	or UDZW6.2B-X	Z DIODE		1	
	D7301	HSU119-X	SI DIODE		1	
	D8001	RB051L-40-X	SB DIODE		1	
	D8004	HSU119-X	SI DIODE		1	
	D8011	CRS03-W	SB DIODE		1	
	D8021	RKZ6.2B2KG-X	Z DIODE		1	
	D8021	or UDZW6.2B-X	Z DIODE		1	
	D8101	RB051L-40-X	SB DIODE		1	
	D8106	RKZ6.2B2KG-X	Z DIODE		1	
	D8106	or UDZW6.2B-X	Z DIODE		1	
	D8201	CRS03-W	SB DIODE		1	
	D8203	RB521S-30-X	SB DIODE		1	
	D8204	RB521S-30-X	SB DIODE		1	
	D8205	RB521S-30-X	SB DIODE		1	
	D8301	HSU119-X	SI DIODE		1	
	C8	NDC31HJ-220X	C CAPACITOR	22pF 50V J	1	

MODEL	MARK	MODEL	MARK	MODEL	MARK	MODEL	MARK
KW-ADV793J	A	KW-AVX730E	B	KW-AVX730EE	C	KW-AVX730J	D
KW-AVX735EU	E	KW-AVX735U	F	KW-AVX735UN	G	KW-AVX736A	H
KW-AVX736EU	I	KW-AVX736U	J	KW-AVX736UN	K	KW-AVX736UT	L
KW-AVX736UW	M	KW-AVX738JW	N	KW-AVX830E	O	KW-AVX830J	P
KW-AVX835EU	Q	KW-AVX835U	R	KW-AVX835UN	S	KW-AVX836A	T
KW-AVX836EU	U	KW-AVX836U	V	KW-AVX836UN	W	KW-AVX836UT	X
KW-AVX836UW	Y	KW-AVX838JW	Z	KW-AVX838UF	AA		

Safe	Symbol No.	Parts No.	Parts Name	Description	QTY	Local
	C9	NCB31CK-224X	C CAPACITOR	0.22uF 16V K	1	
	C10	NCB31HK-103X	C CAPACITOR	0.01uF 50V K	1	
	C12	NCB31HK-103X	C CAPACITOR	0.01uF 50V K	1	
	C13	NCB31CK-104X	C CAPACITOR	0.1uF 16V K	1	
	C14	NCB31HK-103X	C CAPACITOR	0.01uF 50V K	1	
	C16	NCB31HK-103X	C CAPACITOR	0.01uF 50V K	1	
	C17	QETN1CM-107Z	E CAPACITOR	100uF 16V M	1	
	C18	NCB31CK-104X	C CAPACITOR	0.1uF 16V K	1	
	C19	NCB31CK-105X	C CAPACITOR	1uF 16V K	1	
	C20	NDC31HJ-6R0X	C CAPACITOR	6pF 50V J	1	
	C21	NCB31CK-104X	C CAPACITOR	0.1uF 16V K	1	
	C22	NCB31HK-102X	C CAPACITOR	1000pF 50V K	1	
	C23	NDC31HJ-150X	C CAPACITOR	15pF 50V J	1	
	C24	NCB31CK-224X	C CAPACITOR	0.22uF 16V K	1	
	C25	NCB31HK-103X	C CAPACITOR	0.01uF 50V K	1	
	C26	NCB31CK-105X	C CAPACITOR	1uF 16V K	1	
	C27	NDC31HJ-150X	C CAPACITOR	15pF 50V J	1	
	C29	NCB31CK-104X	C CAPACITOR	0.1uF 16V K	1	
	C30	NCB31HK-103X	C CAPACITOR	0.01uF 50V K	1	
	C31	NCB31HK-103X	C CAPACITOR	0.01uF 50V K	1	B,C,E,I,O,Q,U
	C32	QEKJ1CM-226Z	E CAPACITOR	22uF 16V M	1	B,C,E,I,O,Q,U
	C33	NDC31HJ-330X	C CAPACITOR	33pF 50V J	1	B,C,E,I,O,Q,U
	C34	NDC31HJ-330X	C CAPACITOR	33pF 50V J	1	B,C,E,I,O,Q,U
	C35	NCB31HK-561X	C CAPACITOR	560pF 50V K	1	B,C,E,I,O,Q,U
	C36	NCB31HK-103X	C CAPACITOR	0.01uF 50V K	1	B,C,E,I,O,Q,U
	C37	NCB20JK-106X	C CAPACITOR	10uF 6.3V K	1	B,C,E,I,O,Q,U
	C38	NCB31HK-331X	C CAPACITOR	330pF 50V K	1	B,C,E,I,O,Q,U
	C42	NCB31CK-104X	C CAPACITOR	0.1uF 16V K	1	
	C45	NDC31HJ-7R0X	C CAPACITOR	7pF 50V J	1	
	C46	NDC31HJ-2R0X	C CAPACITOR	2pF 50V J	1	
	C705	NCB31CK-104X	C CAPACITOR	0.1uF 16V K	1	
	C713	NCB31HK-102X	C CAPACITOR	1000pF 50V K	1	
	C714	NDC31HJ-270X	C CAPACITOR	27pF 50V J	1	
	C715	NDC31HJ-220X	C CAPACITOR	22pF 50V J	1	
	C717	NDC31HJ-5R0X	C CAPACITOR	5pF 50V J	1	
	C718	NDC31HJ-5R0X	C CAPACITOR	5pF 50V J	1	
	C719	NCB31CK-105X	C CAPACITOR	1uF 16V K	1	
	C723	QETN1AM-227Z	E CAPACITOR	220uF 10V M	1	
	C777	NCB31CK-104X	C CAPACITOR	0.1uF 16V K	1	
	C780	NCB31CK-105X	C CAPACITOR	1uF 16V K	1	
	C801	QEKJ1EM-106Z	E CAPACITOR	10uF 25V M	1	
	C802	NCB31HK-104X	C CAPACITOR	0.1uF 50V K	1	
	C803	QETN1AM-227Z	E CAPACITOR	220uF 10V M	1	
	C804	NCB31CK-105X	C CAPACITOR	1uF 16V K	1	
	C805	NCB31CK-104X	C CAPACITOR	0.1uF 16V K	1	
	C806	NCB31CK-104X	C CAPACITOR	0.1uF 16V K	1	
	C807	NCB31CK-105X	C CAPACITOR	1uF 16V K	1	
	C809	QETN1CM-227Z	E CAPACITOR	220uF 16V M	1	
	C810	NCJ11EK-106X-R	C CAPACITOR	10uF 25V	1	
	C812	QETN1CM-107Z	E CAPACITOR	100uF 16V M	1	
	C821	QETN0JM-108Z	E CAPACITOR	1000uF 6.3V M	1	
	C822	QEKJ1EM-106Z	E CAPACITOR	10uF 25V M	1	
	C871	NCB31HK-103X	C CAPACITOR	0.01uF 50V K	1	
	C882	QEKJ1EM-106Z	E CAPACITOR	10uF 25V M	1	
	C901	QEZ0769-278	E CAPACITOR	2700uF	1	
	C902	QEKJ1HM-225Z	E CAPACITOR	2.2uF 50V M	1	
	C931	NCB31CK-473X	C CAPACITOR	0.047uF 16V K	1	A,B,C,D,N,P,Z
	C951	NCB31HK-104X	C CAPACITOR	0.1uF 50V K	1	
	C961	QETN1CM-107Z	E CAPACITOR	100uF 16V M	1	
	C962	NCB31HK-103X	C CAPACITOR	0.01uF 50V K	1	
	C981	QETN1CM-107Z	E CAPACITOR	100uF 16V M	1	
	C1101	NDC31HJ-101X	C CAPACITOR	100pF 50V J	1	
	C1102	NDC31HJ-101X	C CAPACITOR	100pF 50V J	1	
	C1103	QFV91HJ-474Z	MF CAPACITOR	0.47uF 50V J	1	
	C1111	NDC31HJ-101X	C CAPACITOR	100pF 50V J	1	
	C1112	NDC31HJ-101X	C CAPACITOR	100pF 50V J	1	
	C1113	QFV91HJ-474Z	MF CAPACITOR	0.47uF 50V J	1	
	C1121	NDC31HJ-101X	C CAPACITOR	100pF 50V J	1	
	C1122	QEKJ1HM-475Z	E CAPACITOR	4.7uF 50V M	1	
	C1123	NDC31HJ-101X	C CAPACITOR	100pF 50V J	1	
	C1125	NDC31HJ-101X	C CAPACITOR	100pF 50V J	1	
	C1126	NCB31CK-105X	C CAPACITOR	1uF 16V K	1	
	C1131	NDC31HJ-101X	C CAPACITOR	100pF 50V J	1	
	C1132	QEKJ1HM-475Z	E CAPACITOR	4.7uF 50V M	1	
	C1133	NDC31HJ-101X	C CAPACITOR	100pF 50V J	1	
	C1135	NDC31HJ-101X	C CAPACITOR	100pF 50V J	1	
	C1136	NCB31CK-105X	C CAPACITOR	1uF 16V K	1	
	C1151	NDC31HJ-101X	C CAPACITOR	100pF 50V J	1	
	C1161	NCB31CK-105X	C CAPACITOR	1uF 16V K	1	
	C1162	NCB31CK-105X	C CAPACITOR	1uF 16V K	1	O,P,Q,R,S,T,U,V,W,X,Y,Z ,AA
	C1163	NCB31CK-105X	C CAPACITOR	1uF 16V K	1	A,B,C,D,N,P,Z
	C1164	QEKJ1HM-475Z	E CAPACITOR	4.7uF 50V M	1	

MODEL	MARK	MODEL	MARK	MODEL	MARK	MODEL	MARK
KW-ADV793J	A	KW-AVX730E	B	KW-AVX730EE	C	KW-AVX730J	D
KW-AVX735EU	E	KW-AVX735U	F	KW-AVX735UN	G	KW-AVX736A	H
KW-AVX736EU	I	KW-AVX736U	J	KW-AVX736UN	K	KW-AVX736UT	L
KW-AVX736UW	M	KW-AVX738JW	N	KW-AVX830E	O	KW-AVX830J	P
KW-AVX835EU	Q	KW-AVX835U	R	KW-AVX835UN	S	KW-AVX836A	T
KW-AVX836EU	U	KW-AVX836U	V	KW-AVX836UN	W	KW-AVX836UT	X
KW-AVX836UW	Y	KW-AVX838JW	Z	KW-AVX838UF	AA		

Safe	Symbol No.	Parts No.	Parts Name	Description	QTY	Local
	C1165	NCB31HK-332X	C CAPACITOR	3300pF 50V K	1	
	C1166	NCB31CK-105X	C CAPACITOR	1uF 16V K	1	
	C1181	NCB31HK-102X	C CAPACITOR	1000pF 50V K	1	A,B,C,D,N,P,Z
	C1201	NDC31HJ-101X	C CAPACITOR	100pF 50V J	1	
	C1202	NDC31HJ-101X	C CAPACITOR	100pF 50V J	1	
	C1203	QFV91HJ-474Z	MF CAPACITOR	0.47uF 50V J	1	
	C1211	NDC31HJ-101X	C CAPACITOR	100pF 50V J	1	
	C1212	NDC31HJ-101X	C CAPACITOR	100pF 50V J	1	
	C1213	QFV91HJ-474Z	MF CAPACITOR	0.47uF 50V J	1	
	C1221	NDC31HJ-101X	C CAPACITOR	100pF 50V J	1	
	C1222	QEKJ1HM-475Z	E CAPACITOR	4.7uF 50V M	1	
	C1223	NDC31HJ-101X	C CAPACITOR	100pF 50V J	1	
	C1225	NDC31HJ-101X	C CAPACITOR	100pF 50V J	1	
	C1226	NCB31CK-105X	C CAPACITOR	1uF 16V K	1	
	C1231	NDC31HJ-101X	C CAPACITOR	100pF 50V J	1	
	C1232	QEKJ1HM-475Z	E CAPACITOR	4.7uF 50V M	1	
	C1233	NDC31HJ-101X	C CAPACITOR	100pF 50V J	1	
	C1235	NDC31HJ-101X	C CAPACITOR	100pF 50V J	1	
	C1236	NCB31CK-105X	C CAPACITOR	1uF 16V K	1	
	C1251	NDC31HJ-101X	C CAPACITOR	100pF 50V J	1	
	C1261	NCB31CK-105X	C CAPACITOR	1uF 16V K	1	
	C1262	NCB31CK-105X	C CAPACITOR	1uF 16V K	1	O,P,Q,R,S,T,U,V,W,X,Y,Z ,AA
	C1263	NCB31CK-105X	C CAPACITOR	1uF 16V K	1	A,B,C,D,N,P,Z
	C1264	QEKJ1HM-475Z	E CAPACITOR	4.7uF 50V M	1	
	C1265	NCB31HK-332X	C CAPACITOR	3300pF 50V K	1	
	C1266	NCB31CK-105X	C CAPACITOR	1uF 16V K	1	
	C1281	NCB31HK-102X	C CAPACITOR	1000pF 50V K	1	A,B,C,D,N,P,Z
	C1301	NCB31HK-103X	C CAPACITOR	0.01uF 50V K	1	
	C1303	NDC31HJ-820X	C CAPACITOR	82pF 50V J	1	
	C1304	QEKJ1HM-475Z	E CAPACITOR	4.7uF 50V M	1	
	C1305	QEKJ1HM-475Z	E CAPACITOR	4.7uF 50V M	1	
	C1306	QEKJ1EM-106Z	E CAPACITOR	10uF 25V M	1	
	C1308	NDC31HJ-820X	C CAPACITOR	82pF 50V J	1	
	C1309	NCB31HK-103X	C CAPACITOR	0.01uF 50V K	1	
	C1310	NCB31CK-104X	C CAPACITOR	0.1uF 16V K	1	
	C1312	QEKJ1CM-226Z	E CAPACITOR	22uF 16V M	1	
	C1313	NCB31CK-105X	C CAPACITOR	1uF 16V K	1	
	C1328	QETN1HM-226Z	E CAPACITOR	22uF 50V M	1	
	C1329	QETN1HM-226Z	E CAPACITOR	22uF 50V M	1	
	C1330	QETN1EM-476Z	E CAPACITOR	47uF 25V M	1	
	C1351	NCB31CK-473X	C CAPACITOR	0.047uF 16V K	1	
	C1352	NCB31CK-104X	C CAPACITOR	0.1uF 16V K	1	
	C1353	NCB31CK-104X	C CAPACITOR	0.1uF 16V K	1	
	C1364	QEKJ1HM-475Z	E CAPACITOR	4.7uF 50V M	1	
	C1366	NCB31CK-105X	C CAPACITOR	1uF 16V K	1	
	C1371	QETN1CM-107Z	E CAPACITOR	100uF 16V M	1	
	C1372	NCB31CK-105X	C CAPACITOR	1uF 16V K	1	
	C1373	NCB31CK-105X	C CAPACITOR	1uF 16V K	1	
	C1374	NCB21AK-475X	C CAPACITOR	4.7uF 10V K	1	
	C1375	QEKJ1EM-106Z	E CAPACITOR	10uF 25V M	1	
	C1376	NCB31CK-105X	C CAPACITOR	1uF 16V K	1	
	C1383	NCB31HK-104X	C CAPACITOR	0.1uF 50V K	1	A,B,C,D,N,P,Z
	C1400	NDC31HJ-101X	C CAPACITOR	100pF 50V J	1	
	C1401	NCB31HK-102X	C CAPACITOR	1000pF 50V K	1	
	C1402	QEKJ1EM-106Z	E CAPACITOR	10uF 25V M	1	
	C1403	NDC31HJ-101X	C CAPACITOR	100pF 50V J	1	
	C1406	NCB31CK-105X	C CAPACITOR	1uF 16V K	1	
	C1501	QETN1AM-227Z	E CAPACITOR	220uF 10V M	1	
	C1502	QETN1EM-476Z	E CAPACITOR	47uF 25V M	1	
	C1911	NCB31HK-104X	C CAPACITOR	0.1uF 50V K	1	
	C1921	NCB31HK-104X	C CAPACITOR	0.1uF 50V K	1	A,D,F,G,H,J,K,L,M,N,P,R, S,T,V,W,X,Y,Z,AA
	C1931	NCB31HK-104X	C CAPACITOR	0.1uF 50V K	1	
	C1942	QEKJ1EM-106Z	E CAPACITOR	10uF 25V M	1	
	C1951	NCB31HK-102X	C CAPACITOR	1000pF 50V K	1	
	C1952	QEKJ1CM-226Z	E CAPACITOR	22uF 16V M	1	
	C1963	QEKJ1EM-106Z	E CAPACITOR	10uF 25V M	1	
	C7301	NCB31HK-103X	C CAPACITOR	0.01uF 50V K	1	
	C7302	NCB31CK-105X	C CAPACITOR	1uF 16V K	1	
	C8001	NCB31HK-472X	C CAPACITOR	4700pF 50V K	1	
	C8002	NCB31CK-104X	C CAPACITOR	0.1uF 16V K	1	
	C8003	NCJ11EK-106X-R	C CAPACITOR	10uF 25V	1	
	C8004	NCB20JK-106X	C CAPACITOR	10uF 6.3V K	1	
	C8006	QETN1AM-477Z	E CAPACITOR	470uF 10V M	1	
	C8007	QETN1EM-337Z	E CAPACITOR	330uF 25V M	1	
	C8031	NCB31CK-104X	C CAPACITOR	0.1uF 16V K	1	
	C8101	NCB31AK-334X	C CAPACITOR	0.33uF 10V K	1	
	C8103	NCB31HK-332X	C CAPACITOR	3300pF 50V K	1	
	C8106	NCJ11EK-106X-R	C CAPACITOR	10uF 25V	1	
	C8107	NCB20JK-106X	C CAPACITOR	10uF 6.3V K	1	
	C8108	QETN1AM-477Z	E CAPACITOR	470uF 10V M	1	

MODEL	MARK	MODEL	MARK	MODEL	MARK	MODEL	MARK
KW-ADV793J	A	KW-AVX730E	B	KW-AVX730EE	C	KW-AVX730J	D
KW-AVX735EU	E	KW-AVX735U	F	KW-AVX735UN	G	KW-AVX736A	H
KW-AVX736EU	I	KW-AVX736U	J	KW-AVX736UN	K	KW-AVX736UT	L
KW-AVX736UW	M	KW-AVX738JW	N	KW-AVX830E	O	KW-AVX830J	P
KW-AVX835EU	Q	KW-AVX835U	R	KW-AVX835UN	S	KW-AVX836A	T
KW-AVX836EU	U	KW-AVX836U	V	KW-AVX836UN	W	KW-AVX836UT	X
KW-AVX836UW	Y	KW-AVX838JW	Z	KW-AVX838UF	AA		

Safe	Symbol No.	Parts No.	Parts Name	Description	QTY	Local
	C8110	NCB31HK-104X	C CAPACITOR	0.1uF 50V K	1	
	C8201	NCB31CK-105X	C CAPACITOR	1uF 16V K	1	
	C8202	NCB31HK-102X	C CAPACITOR	1000pF 50V K	1	
	C8203	NCB31HK-222X	C CAPACITOR	2200pF 50V K	1	
	C8204	NCB31HK-682X	C CAPACITOR	6800pF 50V K	1	
	C8205	NDC31HJ-221X	C CAPACITOR	220pF 50V J	1	
	C8206	NCJ11EK-106X-R	C CAPACITOR	10uF 25V	1	
	C8207	NCJ11EK-106X-R	C CAPACITOR	10uF 25V	1	
	C8208	QETN1EM-107Z	E CAPACITOR	100uF 25V M	1	
	C8210	NCB31HK-104X	C CAPACITOR	0.1uF 50V K	1	
	C8211	NCB21EK-105X	C CAPACITOR	1uF 25V K	1	
	C8213	QETN1EM-107Z	E CAPACITOR	100uF 25V M	1	
	C8301	NCB31CK-104X	C CAPACITOR	0.1uF 16V K	1	
	C8302	NCB31HK-272X	C CAPACITOR	2700pF 50V K	1	
	C8303	NCB31CK-104X	C CAPACITOR	0.1uF 16V K	1	
	C8304	NCB31CK-102X	C CAPACITOR	1000pF 50V K	1	
	C8306	NCB31CK-105X	C CAPACITOR	1uF 16V K	1	
	R9	NRSA63J-222X	MG RESISTOR	2.2kΩ 1/16W J	1	B,C,E,I,O,Q,U
	R14	NRSA63J-472X	MG RESISTOR	4.7kΩ 1/16W J	1	
	R16	NRSA63J-474X	MG RESISTOR	470kΩ 1/16W J	1	
	R19	NRSA63J-101X	MG RESISTOR	100Ω 1/16W J	1	
	R21	NRS181J-220X	MG RESISTOR	22Ω 1/8W J	1	
	R22	NRSA63J-474X	MG RESISTOR	470kΩ 1/16W J	1	
	R23	NRSA63J-101X	MG RESISTOR	100Ω 1/16W J	1	
	R36	NRSA63J-222X	MG RESISTOR	2.2kΩ 1/16W J	1	B,C,E,I,O,Q,U
	R38	NRSA63J-473X	MG RESISTOR	47kΩ 1/16W J	1	B,C,E,I,O,Q,U
	R39	NRSA63J-473X	MG RESISTOR	47kΩ 1/16W J	1	B,C,E,I,O,Q,U
	R700	NRSA63J-221X	MG RESISTOR	220Ω 1/16W J	1	
	R701	NRSA63J-472X	MG RESISTOR	4.7kΩ 1/16W J	1	
	R702	NRSA63J-473X	MG RESISTOR	47kΩ 1/16W J	1	
	R715	NRSA63J-106X	MG RESISTOR	10MΩ 1/16W J	1	
	R724	NRSA63J-472X	MG RESISTOR	4.7kΩ 1/16W J	1	
	R725	NRSA63J-472X	MG RESISTOR	4.7kΩ 1/16W J	1	
	R728	NRSA63J-104X	MG RESISTOR	100kΩ 1/16W J	1	
	R740	NRSA63J-473X	MG RESISTOR	47kΩ 1/16W J	1	
	R745	NRSA63J-473X	MG RESISTOR	47kΩ 1/16W J	1	A,D,N,P,Z
	R746	NRSA63J-473X	MG RESISTOR	47kΩ 1/16W J	1	
	R751	NRSA63J-473X	MG RESISTOR	47kΩ 1/16W J	1	B,C,E,F,G,H,I,J,K,L,M,O, Q,R,S,T,U,V,W,X,Y,AA
	R752	NRSA63J-223X	MG RESISTOR	22kΩ 1/16W J	1	
	R755	NRSA63J-473X	MG RESISTOR	47kΩ 1/16W J	1	
	R757	NRSA63J-472X	MG RESISTOR	4.7kΩ 1/16W J	1	
	R758	NRSA63J-272X	MG RESISTOR	2.7kΩ 1/16W J	1	
	R775	NRSA63J-393X	MG RESISTOR	39kΩ 1/16W J	1	B,O
	R775	NRSA63J-333X	MG RESISTOR	33kΩ 1/16W J	1	C
	R775	NRSA63J-223X	MG RESISTOR	22kΩ 1/16W J	1	E,I,Q,U
	R775	NRSA63J-273X	MG RESISTOR	27kΩ 1/16W J	1	
	R775	NRSA63J-473X	MG RESISTOR	47kΩ 1/16W J	1	F,G,H,J,K,L,M,R,S,T,V,W, X,Y,AA
	R776	NRSA63J-0R0X	MG RESISTOR	0Ω 1/10W J	1	N,Z
	R776	NRSA63J-123X	MG RESISTOR	12kΩ 1/16W J	1	A,D,P
	R776	NRSA63J-183X	MG RESISTOR	18kΩ 1/16W J	1	B,O
	R776	NRSA63J-273X	MG RESISTOR	27kΩ 1/16W J	1	C
	R776	NRSA63J-223X	MG RESISTOR	22kΩ 1/16W J	1	E,I,Q,U
	R776	NRSA63J-562X	MG RESISTOR	5.6kΩ 1/16W J	1	F,G,H,J,K,L,M,R,S,T,V,W, X,Y,AA
	R777	NRSA63J-103X	MG RESISTOR	10kΩ 1/16W J	1	N,Z
	R778	NRSA63J-472X	MG RESISTOR	4.7kΩ 1/16W J	1	
	R779	NRSA63J-103X	MG RESISTOR	10kΩ 1/16W J	1	
	R796	NRSA63J-123X	MG RESISTOR	12kΩ 1/16W J	1	
	R797	NRSA63J-123X	MG RESISTOR	12kΩ 1/16W J	1	
	R801	NRSA63J-912X	MG RESISTOR	9.1kΩ 1/16W J	1	
	R803	NRSA63J-472X	MG RESISTOR	4.7kΩ 1/16W J	1	
	R806	NRSA63J-333X	MG RESISTOR	33kΩ 1/16W J	1	
	R871	NRSA63J-223X	MG RESISTOR	22kΩ 1/16W J	1	
	R872	NRSA63J-103X	MG RESISTOR	10kΩ 1/16W J	1	
	R873	NRSA63J-471X	MG RESISTOR	470Ω 1/16W J	1	
	R874	NRSA63J-472X	MG RESISTOR	4.7kΩ 1/16W J	1	
	R875	NRSA63J-103X	MG RESISTOR	10kΩ 1/16W J	1	
	R881	NRSA63J-103X	MG RESISTOR	10kΩ 1/16W J	1	
	R901	QRE142J-102X	C RESISTOR	1kΩ 1/4W J	1	
	R921	NRSA63J-101X	MG RESISTOR	100Ω 1/16W J	1	
	R922	NRSA63J-103X	MG RESISTOR	10kΩ 1/16W J	1	
	R931	NRSA63J-473X	MG RESISTOR	47kΩ 1/16W J	1	A,B,C,D,N,P,Z
	R932	NRSA63J-473X	MG RESISTOR	47kΩ 1/16W J	1	A,B,C,D,N,P,Z
	R933	NRSA63J-101X	MG RESISTOR	100Ω 1/16W J	1	A,B,C,D,N,P,Z
	R934	NRSA63J-101X	MG RESISTOR	100Ω 1/16W J	1	A,B,C,D,N,P,Z
	R935	NRSA63J-103X	MG RESISTOR	10kΩ 1/16W J	1	A,B,C,D,N,P,Z
	R936	NRSA63J-392X	MG RESISTOR	3.9kΩ 1/16W J	1	A,B,C,D,N,P,Z
	R937	NRSA63J-103X	MG RESISTOR	10kΩ 1/16W J	1	A,B,C,D,N,P,Z
	R938	NRSA63J-392X	MG RESISTOR	3.9kΩ 1/16W J	1	A,B,C,D,N,P,Z

MODEL	MARK	MODEL	MARK	MODEL	MARK	MODEL	MARK
KW-ADV793J	A	KW-AVX730E	B	KW-AVX730EE	C	KW-AVX730J	D
KW-AVX735EU	E	KW-AVX735U	F	KW-AVX735UN	G	KW-AVX736A	H
KW-AVX736EU	I	KW-AVX736U	J	KW-AVX736UN	K	KW-AVX736UT	L
KW-AVX736UW	M	KW-AVX738JW	N	KW-AVX830E	O	KW-AVX830J	P
KW-AVX835EU	Q	KW-AVX835U	R	KW-AVX835UN	S	KW-AVX836A	T
KW-AVX836EU	U	KW-AVX836U	V	KW-AVX836UN	W	KW-AVX836UT	X
KW-AVX836UW	Y	KW-AVX838JW	Z	KW-AVX838UF	AA		

Safe	Symbol No.	Parts No.	Parts Name	Description	QTY	Local
	R939	NRSA63J-682X	MG RESISTOR	6.8kΩ 1/16W J	1	A,B,C,D,N,P,Z
	R940	NRSA63J-682X	MG RESISTOR	6.8kΩ 1/16W J	1	A,B,C,D,N,P,Z
	R941	NRSA63J-104X	MG RESISTOR	100kΩ 1/16W J	1	A,B,C,D,N,P,Z
	R942	NRSA63J-104X	MG RESISTOR	100kΩ 1/16W J	1	A,B,C,D,N,P,Z
	R951	NRSA63J-473X	MG RESISTOR	47kΩ 1/16W J	1	
	R952	NRSA63J-223X	MG RESISTOR	22kΩ 1/16W J	1	
	R961	NRSA63J-103X	MG RESISTOR	10kΩ 1/16W J	1	
	R971	NRSA63J-563X	MG RESISTOR	56kΩ 1/16W J	1	
	R974	NRSA63J-183X	MG RESISTOR	18kΩ 1/16W J	1	
	R981	NRSA63J-102X	MG RESISTOR	1kΩ 1/16W J	1	
	R982	NRSA63J-222X	MG RESISTOR	2.2kΩ 1/16W J	1	
	R1101	NRSA63J-102X	MG RESISTOR	1kΩ 1/16W J	1	
	R1102	NRSA63J-101X	MG RESISTOR	100Ω 1/16W J	1	
	R1111	NRSA63J-102X	MG RESISTOR	1kΩ 1/16W J	1	
	R1112	NRSA63J-101X	MG RESISTOR	100Ω 1/16W J	1	
	R1121	NRSA02J-221X	MG RESISTOR	220Ω 1/10W J	1	
	R1122	NRSA63J-473X	MG RESISTOR	47kΩ 1/16W J	1	
	R1123	NRSA63J-102X	MG RESISTOR	1kΩ 1/16W J	1	
	R1124	NRSA63J-222X	MG RESISTOR	2.2kΩ 1/16W J	1	
	R1125	NRSA63J-183X	MG RESISTOR	18kΩ 1/16W J	1	
	R1126	NRSA63J-123X	MG RESISTOR	12kΩ 1/16W J	1	
	R1127	NRSA63J-102X	MG RESISTOR	1kΩ 1/16W J	1	
	R1128	NRSA63J-473X	MG RESISTOR	47kΩ 1/16W J	1	
	R1131	NRSA02J-221X	MG RESISTOR	220Ω 1/10W J	1	
	R1132	NRSA63J-473X	MG RESISTOR	47kΩ 1/16W J	1	
	R1133	NRSA63J-102X	MG RESISTOR	1kΩ 1/16W J	1	
	R1134	NRSA63J-222X	MG RESISTOR	2.2kΩ 1/16W J	1	
	R1135	NRSA63J-183X	MG RESISTOR	18kΩ 1/16W J	1	
	R1136	NRSA63J-123X	MG RESISTOR	12kΩ 1/16W J	1	
	R1137	NRSA63J-102X	MG RESISTOR	1kΩ 1/16W J	1	
	R1138	NRSA63J-473X	MG RESISTOR	47kΩ 1/16W J	1	
	R1151	NRSA63J-222X	MG RESISTOR	2.2kΩ 1/16W J	1	
	R1152	NRSA63J-473X	MG RESISTOR	47kΩ 1/16W J	1	
	R1161	NRSA63J-153X	MG RESISTOR	15kΩ 1/16W J	1	A,D,N,P,Z
	R1161	NRSA63J-0R0X	MG RESISTOR	0Ω 1/10W J	1	B,C,E,F,G,H,I,J,K,L,M,O, Q,R,S,T,U,V,W,X,Y,AA A,D,N,P,Z
	R1162	NRSA63J-473X	MG RESISTOR	47kΩ 1/16W J	1	A,D,N,P,Z
	R1163	NRSA63J-471X	MG RESISTOR	470Ω 1/16W J	1	
	R1181	NRSA63J-151X	MG RESISTOR	150Ω 1/16W J	1	A,B,C,D,N,P,Z
	R1201	NRSA63J-102X	MG RESISTOR	1kΩ 1/16W J	1	
	R1202	NRSA63J-101X	MG RESISTOR	100Ω 1/16W J	1	
	R1211	NRSA63J-102X	MG RESISTOR	1kΩ 1/16W J	1	
	R1212	NRSA63J-101X	MG RESISTOR	100Ω 1/16W J	1	
	R1221	NRSA02J-221X	MG RESISTOR	220Ω 1/10W J	1	
	R1222	NRSA63J-473X	MG RESISTOR	47kΩ 1/16W J	1	
	R1223	NRSA63J-102X	MG RESISTOR	1kΩ 1/16W J	1	
	R1224	NRSA63J-222X	MG RESISTOR	2.2kΩ 1/16W J	1	
	R1225	NRSA63J-183X	MG RESISTOR	18kΩ 1/16W J	1	
	R1226	NRSA63J-123X	MG RESISTOR	12kΩ 1/16W J	1	
	R1227	NRSA63J-102X	MG RESISTOR	1kΩ 1/16W J	1	
	R1228	NRSA63J-473X	MG RESISTOR	47kΩ 1/16W J	1	
	R1231	NRSA02J-221X	MG RESISTOR	220Ω 1/10W J	1	
	R1232	NRSA63J-473X	MG RESISTOR	47kΩ 1/16W J	1	
	R1233	NRSA63J-102X	MG RESISTOR	1kΩ 1/16W J	1	
	R1234	NRSA63J-222X	MG RESISTOR	2.2kΩ 1/16W J	1	
	R1235	NRSA63J-183X	MG RESISTOR	18kΩ 1/16W J	1	
	R1236	NRSA63J-123X	MG RESISTOR	12kΩ 1/16W J	1	
	R1237	NRSA63J-102X	MG RESISTOR	1kΩ 1/16W J	1	
	R1238	NRSA63J-473X	MG RESISTOR	47kΩ 1/16W J	1	
	R1251	NRSA63J-222X	MG RESISTOR	2.2kΩ 1/16W J	1	
	R1252	NRSA63J-473X	MG RESISTOR	47kΩ 1/16W J	1	
	R1261	NRSA63J-153X	MG RESISTOR	15kΩ 1/16W J	1	A,D,N,P,Z
	R1261	NRSA63J-0R0X	MG RESISTOR	0Ω 1/10W J	1	B,C,E,F,G,H,I,J,K,L,M,O, Q,R,S,T,U,V,W,X,Y,AA A,D,N,P,Z
	R1262	NRSA63J-473X	MG RESISTOR	47kΩ 1/16W J	1	
	R1263	NRSA63J-471X	MG RESISTOR	470Ω 1/16W J	1	
	R1281	NRSA63J-151X	MG RESISTOR	150Ω 1/16W J	1	A,B,C,D,N,P,Z
	R1301	NRSA63J-333X	MG RESISTOR	33kΩ 1/16W J	1	
	R1302	NRSA63J-222X	MG RESISTOR	2.2kΩ 1/16W J	1	
	R1303	NRSA63J-100X	MG RESISTOR	10Ω 1/16W J	1	
	R1304	NRSA63J-273X	MG RESISTOR	27kΩ 1/16W J	1	
	R1305	NRSA63J-473X	MG RESISTOR	47kΩ 1/16W J	1	
	R1306	NRSA63J-102X	MG RESISTOR	1kΩ 1/16W J	1	
	R1321	NRSA63J-101X	MG RESISTOR	100Ω 1/16W J	1	
	R1322	NRSA63J-472X	MG RESISTOR	4.7kΩ 1/16W J	1	
	R1351	NRSA63J-471X	MG RESISTOR	470Ω 1/16W J	1	
	R1361	NRSA63J-102X	MG RESISTOR	1kΩ 1/16W J	1	
	R1362	NRSA63J-103X	MG RESISTOR	10kΩ 1/16W J	1	
	R1363	NRSA63J-221X	MG RESISTOR	220Ω 1/16W J	1	
	R1364	NRSA63J-104X	MG RESISTOR	100kΩ 1/16W J	1	
	R1401	NRSA02J-221X	MG RESISTOR	220Ω 1/10W J	1	
	R1402	NRSA63J-103X	MG RESISTOR	10kΩ 1/16W J	1	

MODEL	MARK	MODEL	MARK	MODEL	MARK	MODEL	MARK
KW-ADV793J	A	KW-AVX730E	B	KW-AVX730EE	C	KW-AVX730J	D
KW-AVX735EU	E	KW-AVX735U	F	KW-AVX735UN	G	KW-AVX736A	H
KW-AVX736EU	I	KW-AVX736U	J	KW-AVX736UN	K	KW-AVX736UT	L
KW-AVX736UW	M	KW-AVX738JW	N	KW-AVX830E	O	KW-AVX830J	P
KW-AVX835EU	Q	KW-AVX835U	R	KW-AVX835UN	S	KW-AVX836A	T
KW-AVX836EU	U	KW-AVX836U	V	KW-AVX836UN	W	KW-AVX836UT	X
KW-AVX836UW	Y	KW-AVX838JW	Z	KW-AVX838UF	AA		

Safe	Symbol No.	Parts No.	Parts Name	Description	QTY	Local
	R1403	NRSA63J-821X	MG RESISTOR	820Ω 1/16W J	1	
	R1404	NRSA63J-472X	MG RESISTOR	4.7kΩ 1/16W J	1	
	R1405	NRSA63J-183X	MG RESISTOR	18kΩ 1/16W J	1	
	R1406	NRSA63J-123X	MG RESISTOR	12kΩ 1/16W J	1	
	R1407	NRSA63J-102X	MG RESISTOR	1kΩ 1/16W J	1	
	R1408	NRSA63J-104X	MG RESISTOR	100kΩ 1/16W J	1	
	R1501	NRSA63J-471X	MG RESISTOR	470Ω 1/16W J	1	
						O,P,Q,R,S,T,U,V,W,X,Y,Z,AA
	R1502	NRSA63J-471X	MG RESISTOR	470Ω 1/16W J	1	
	R1503	NRSA63J-471X	MG RESISTOR	470Ω 1/16W J	1	
	R1912	NRS181J-332X	MG RESISTOR	3.3kΩ 1/8W J	1	
	R1921	NRSA02J-472X	MG RESISTOR	4.7kΩ 1/10W J	1	
						A,D,F,G,H,J,K,L,M,N,P,R,S,T,V,W,X,Y,Z,AA
	R1931	NRSA63J-102X	MG RESISTOR	1kΩ 1/16W J	1	
	R1932	NRSA63J-473X	MG RESISTOR	47kΩ 1/16W J	1	
	R1941	NRSA63J-472X	MG RESISTOR	4.7kΩ 1/16W J	1	
	R1942	NRSA63J-473X	MG RESISTOR	47kΩ 1/16W J	1	
	R1943	NRSA63J-103X	MG RESISTOR	10kΩ 1/16W J	1	
	R1951	NRSA63J-104X	MG RESISTOR	100kΩ 1/16W J	1	
	R1952	NRSA63J-103X	MG RESISTOR	10kΩ 1/16W J	1	
	R1953	NRSA63J-473X	MG RESISTOR	47kΩ 1/16W J	1	
	R1961	NRSA63J-103X	MG RESISTOR	10kΩ 1/16W J	1	
	R1971	NRSA63J-271X	MG RESISTOR	270Ω 1/16W J	1	
	R7000	NRSA63J-472X	MG RESISTOR	4.7kΩ 1/16W J	1	
	R7001	NRSA63J-221X	MG RESISTOR	220Ω 1/16W J	1	
	R7002	NRSA63J-102X	MG RESISTOR	1kΩ 1/16W J	1	
	R7004	NRSA63J-101X	MG RESISTOR	100Ω 1/16W J	1	
	R7005	NRSA63J-102X	MG RESISTOR	1kΩ 1/16W J	1	
	R7006	NRSA63J-102X	MG RESISTOR	1kΩ 1/16W J	1	
	R7017	NRSA63J-101X	MG RESISTOR	100Ω 1/16W J	1	
	R7024	NRSA63J-101X	MG RESISTOR	100Ω 1/16W J	1	
	R7025	NRSA63J-101X	MG RESISTOR	100Ω 1/16W J	1	
	R7028	NRSA63J-102X	MG RESISTOR	1kΩ 1/16W J	1	
	R7034	NRSA63J-223X	MG RESISTOR	22kΩ 1/16W J	1	
	R7036	NRSA63J-101X	MG RESISTOR	100Ω 1/16W J	1	
	R7041	NRSA63J-222X	MG RESISTOR	2.2kΩ 1/16W J	1	B,C,E,I,O,Q,U
	R7047	NRSA63J-473X	MG RESISTOR	47kΩ 1/16W J	1	
	R7052	NRSA63J-222X	MG RESISTOR	2.2kΩ 1/16W J	1	
	R7055	NRSA63J-102X	MG RESISTOR	1kΩ 1/16W J	1	
	R7056	NRSA63J-102X	MG RESISTOR	1kΩ 1/16W J	1	
	R7057	NRSA63J-102X	MG RESISTOR	1kΩ 1/16W J	1	
	R7059	NRSA63J-102X	MG RESISTOR	1kΩ 1/16W J	1	
	R7060	NRSA63J-102X	MG RESISTOR	1kΩ 1/16W J	1	
	R7063	NRSA63J-102X	MG RESISTOR	1kΩ 1/16W J	1	
						A,B,C,D,E,F,G,H,I,J,K,L,M,N
	R7071	NRSA63J-102X	MG RESISTOR	1kΩ 1/16W J	1	
						E,F,G,H,I,J,K,L,M,O,Q,R,S,T,U,V,W,X,Y,AA
	R7072	NRSA63J-102X	MG RESISTOR	1kΩ 1/16W J	1	
						O,P,Q,R,S,T,U,V,W,X,Y,Z,AA
	R7075	NRSA63J-472X	MG RESISTOR	4.7kΩ 1/16W J	1	
	R7078	NRSA63J-102X	MG RESISTOR	1kΩ 1/16W J	1	
	R7080	NRSA63J-103X	MG RESISTOR	10kΩ 1/16W J	1	
	R7084	NRSA63J-102X	MG RESISTOR	1kΩ 1/16W J	1	
	R7085	NRSA63J-102X	MG RESISTOR	1kΩ 1/16W J	1	
	R7086	NRSA63J-102X	MG RESISTOR	1kΩ 1/16W J	1	A,B,C,D,N,P,Z
	R7088	NRSA63J-102X	MG RESISTOR	1kΩ 1/16W J	1	
	R7092	NRSA63J-102X	MG RESISTOR	1kΩ 1/16W J	1	
	R7094	NRSA63J-473X	MG RESISTOR	47kΩ 1/16W J	1	
						E,F,G,H,I,J,K,L,M,Q,R,S,T,U,V,W,X,Y,AA
	R7095	NRSA63J-102X	MG RESISTOR	1kΩ 1/16W J	1	
						E,F,G,H,I,J,K,L,M,Q,R,S,T,U,V,W,X,Y,AA
	R7098	NRSA63J-470X	MG RESISTOR	47Ω 1/16W J	1	
	R7100	NRSA63J-221X	MG RESISTOR	220Ω 1/16W J	1	
	R7104	NRSA63J-473X	MG RESISTOR	47kΩ 1/16W J	1	
	R7301	NRSA63J-223X	MG RESISTOR	22kΩ 1/16W J	1	
	R7302	NRSA63J-473X	MG RESISTOR	47kΩ 1/16W J	1	
	R7303	NRSA63J-223X	MG RESISTOR	22kΩ 1/16W J	1	
	R7304	NRSA63J-103X	MG RESISTOR	10kΩ 1/16W J	1	
	R8001	NRSA63J-154X	MG RESISTOR	150kΩ 1/16W J	1	
	R8002	NRSA63D-103X	MG RESISTOR	10kΩ 1/16W D	1	
	R8003	NRSA63J-823X	MG RESISTOR	82kΩ 1/16W J	1	
	R8004	NRSA63D-433X	MG RESISTOR	43kΩ 1/16W D	1	
	R8031	NRSA63J-472X	MG RESISTOR	4.7kΩ 1/16W J	1	
	R8032	NRSA63J-391X	MG RESISTOR	390Ω 1/16W J	1	
	R8033	NRSA63J-103X	MG RESISTOR	10kΩ 1/16W J	1	
	R8101	NRSA63J-563X	MG RESISTOR	56kΩ 1/16W J	1	
	R8102	NRSA63J-823X	MG RESISTOR	82kΩ 1/16W J	1	
	R8103	NRSA63J-333X	MG RESISTOR	33kΩ 1/16W J	1	

MODEL	MARK	MODEL	MARK	MODEL	MARK	MODEL	MARK
KW-ADV793J	A	KW-AVX730E	B	KW-AVX730EE	C	KW-AVX730J	D
KW-AVX735EU	E	KW-AVX735U	F	KW-AVX735UN	G	KW-AVX736A	H
KW-AVX736EU	I	KW-AVX736U	J	KW-AVX736UN	K	KW-AVX736UT	L
KW-AVX736UW	M	KW-AVX738JW	N	KW-AVX830E	O	KW-AVX830J	P
KW-AVX835EU	Q	KW-AVX835U	R	KW-AVX835UN	S	KW-AVX836A	T
KW-AVX836EU	U	KW-AVX836U	V	KW-AVX836UN	W	KW-AVX836UT	X
KW-AVX836UW	Y	KW-AVX838JW	Z	KW-AVX838UF	AA		

Safe	Symbol No.	Parts No.	Parts Name	Description	QTY	Local
	R8104	NRSA63J-333X	MG RESISTOR	33kΩ 1/16W J	1	
	R8105	NRSA63J-121X	MG RESISTOR	120Ω 1/16W J	1	
	R8106	NRSA63J-471X	MG RESISTOR	470Ω 1/16W J	1	
	R8107	NRSA63J-471X	MG RESISTOR	470Ω 1/16W J	1	
	R8109	NRSA63J-471X	MG RESISTOR	470Ω 1/16W J	1	
	R8110	NRSA63J-122X	MG RESISTOR	1.2kΩ 1/16W J	1	
	R8111	NRSA63J-102X	MG RESISTOR	1kΩ 1/16W J	1	
	R8115	NRSA63J-5R6X	MG RESISTOR	5.6Ω 1/16W J	1	
	R8201	NRSA63J-393X	MG RESISTOR	39kΩ 1/16W J	1	
	R8202	NRSA63J-623X	MG RESISTOR	62kΩ 1/16W J	1	
	R8203	NRSA63J-333X	MG RESISTOR	33kΩ 1/16W J	1	
	R8204	NRSA63J-333X	MG RESISTOR	33kΩ 1/16W J	1	
	R8205	NRSA63J-562X	MG RESISTOR	5.6kΩ 1/16W J	1	
	R8206	NRSA63J-470X	MG RESISTOR	47Ω 1/16W J	1	
	R8207	NRSA63J-471X	MG RESISTOR	470Ω 1/16W J	1	
	R8208	NRSA63J-103X	MG RESISTOR	10kΩ 1/16W J	1	
	R8209	NRSA63J-272X	MG RESISTOR	2.7kΩ 1/16W J	1	
	R8210	NRSA63J-103X	MG RESISTOR	10kΩ 1/16W J	1	
	R8211	NRSA63J-102X	MG RESISTOR	1kΩ 1/16W J	1	
	R8212	NRSA63J-333X	MG RESISTOR	33kΩ 1/16W J	1	
	R8213	NRSA63J-333X	MG RESISTOR	33kΩ 1/16W J	1	
	R8214	NRSA63J-151X	MG RESISTOR	150Ω 1/16W J	1	
	R8215	NRSA63J-100X	MG RESISTOR	10Ω 1/16W J	1	
	R8216	NRSA02J-100X	MG RESISTOR	10Ω 1/10W J	1	
	R8301	NRSA63J-333X	MG RESISTOR	33kΩ 1/16W J	1	
	R8302	NRSA63J-473X	MG RESISTOR	47kΩ 1/16W J	1	
	R8303	NRSA63J-122X	MG RESISTOR	1.2kΩ 1/16W J	1	
	RA721	NRZ0114-102W	NET RESISTOR	1kΩ	1	
	RA722	NRZ0114-102W	NET RESISTOR	1kΩ	1	
	RA723	NRZ0114-102W	NET RESISTOR	1kΩ	1	
	RA724	NRZ0114-102W	NET RESISTOR	1kΩ	1	
	RA727	NRZ0114-102W	NET RESISTOR	1kΩ	1	
	RA728	NRZ0114-102W	NET RESISTOR	1kΩ	1	O,P,Q,R,S,T,U,V,W,X,Y,Z ,AA
	RA951	NRZ0065-123X	NET RESISTOR	12kΩ	1	A,B,C,D,N,P,Z
	L1	QQR1813-001	RF COIL		1	
	L2	NQL114K-561X	P COIL	560uH K	1	
	L3	NQL093K-R22X	P COIL	0.22uH K	1	
	L5	NQL114K-561X	P COIL	560uH K	1	
	L6	NQL79GM-4R7X	COIL	4.7uH M	1	
	L8	NQL093K-R47X	P COIL	0.47uH K	1	
	L9	NQL093K-4R7X	P COIL	4.7uH K	1	
	L10	NQL093K-R47X	P COIL	0.47uH K	1	
	L11	NQL093K-1R8X	P COIL	1.8uH K	1	
	L702	NQL382M-220X	COIL	22uH M	1	
	L801	NQL52EM-220X	COIL	22uH M	1	
△	L901	QQR1852-001	CHOKO COIL		1	
	L961	NQR0536-001X	CHOKO COIL		1	
	L8001	NQLC8CM-220X	COIL	22uH M	1	
	L8002	NQL52EM-220X	COIL	22uH M	1	
	L8101	NQLC8CM-220X	COIL	22uH M	1	
	L8201	NQLC8CM-220X	COIL	22uH M	1	
	L8202	NQL79GM-1R0X	COIL	1uH M	1	
	BZ951	QAN0023-001Z	BUZZER		1	
	CN101	QGA2501C1-03	CONNECTOR	W-B (1-3)	1	
	CN103	QGF0536C3-12W	CONNECTOR	FFC/FPC (1-12)	1	O,P,Q,R,S,T,U,V,W,X,Y,Z ,AA
	CN104	QGF0536C3-14W	CONNECTOR	FFC/FPC (1-14)	1	
	CN105	QGF0534F3-50X	CONNECTOR	FFC/FPC (1-50)	1	
	CN106	QGF0567F1-24W	CONNECTOR	FFC/FPC (1-24)	1	
	CN107	QGF0567F1-24W	CONNECTOR	FFC/FPC (1-24)	1	
	CN108	QGF0534F5-09X	CONNECTOR	FFC/FPC (1-9)	1	E,F,G,H,I,J,K,L,M,Q,R,S,T ,U,V,W,X,Y,AA
	CN109	QGA1002C1-06X	CONNECTOR	W-B (1-6)	1	
	CN111	QGA2001C1-05	CONNECTOR	W-B (1-5)	1	
	CN112	QGA2001C1-02	CONNECTOR	W-B (1-2)	1	
△	CN901	QNZ0607-001	CAR CONNECTOR		1	
△	F801	NMFZ026-5R0X-J1	FUSE	5A	1	
△	F831	NMFZ026-2R0X-J1	FUSE	2A	1	
△	F881	NMFZ026-2R0X-J1	FUSE	2A	1	
	J101	QNB0348-001	ANT TERMINAL		1	
	J101 or	QNB0190-001	ANT TERMINAL		1	
	J1001	QNN0861-001	PIN JACK		1	
	J1002	QNS0283-001	3.5 JACK		1	
	J1381	QNZ0095-001	CONNECTOR		1	A,B,C,D,N,P,Z
	PP1	QZW0010-001	STYLE PIN		1	
	PP3	QZW0010-001	STYLE PIN		1	
△	TH700	NAD0028-103X	N THERMISTOR	10kΩ	1	
△	TH721	NAD0028-103X	N THERMISTOR	10kΩ	1	
	X1	QAX0928-001Z	CRYSTAL		1	
	X31	QAX0263-001Z	CRYSTAL	4.332MHz	1	B,C,E,I,O,Q,U

MODEL	MARK	MODEL	MARK	MODEL	MARK	MODEL	MARK
KW-ADV793J	A	KW-AVX730E	B	KW-AVX730EE	C	KW-AVX730J	D
KW-AVX735EU	E	KW-AVX735U	F	KW-AVX735UN	G	KW-AVX736A	H
KW-AVX736EU	I	KW-AVX736U	J	KW-AVX736UN	K	KW-AVX736UT	L
KW-AVX736UW	M	KW-AVX738JW	N	KW-AVX830E	O	KW-AVX830J	P
KW-AVX835EU	Q	KW-AVX835U	R	KW-AVX835UN	S	KW-AVX836A	T
KW-AVX836EU	U	KW-AVX836U	V	KW-AVX836UN	W	KW-AVX836UT	X
KW-AVX836UW	Y	KW-AVX838JW	Z	KW-AVX838UF	AA		

Safe	Symbol No.	Parts No.	Parts Name	Description	QTY	Local
	X701	QAX0932-001Z	CRYSTAL		1	
	X702	QAX0401-001	CRYSTAL	32.768KHz	1	
	Panel-A board <02>					
△	IC401	MN103SE60P	IC		1	
	IC402	TC7SU04FU-X	IC		1	
	IC404	TC7SZ17FE-X	IC(DIGITAL)		1	
△	IC451	JVM451C	PROGRAMED IC		1	A,B,C,N,O,P,Z
△	IC451	JVM498A	PROGRAMED IC		1	D
△	IC451	JVM452C	PROGRAMED IC		1	E,F,G,H,I,J,K,L,M,Q,R,S,T U,V,W,X,Y,AA
△	IC461	M12L64164A-7TG	IC		1	
	IC501	HX8817A	IC(DIGITAL)		1	
	IC511	NJM4565E-X	IC		1	
	IC551	AD9980KSTZ-80	IC		1	E,F,G,H,I,J,K,L,M,Q,R,S,T U,V,W,X,Y,AA
	IC552	NJM2878F4-18-X	IC		1	E,F,G,H,I,J,K,L,M,Q,R,S,T U,V,W,X,Y,AA
	Q4003	2SC1623A/5-6/-X	TRANSISTOR		1	
	Q4301	RT1N141C-X	DIGI TRANSISTOR		1	
	Q4301 or	DTC114EKA-X	DIGI TRANSISTOR		1	
	Q4401	2SA812A/5-6/-X	TRANSISTOR		1	
	Q5001	2SA812A/5-6/-X	TRANSISTOR		1	
	Q5002	2SC1623A/5-6/-X	TRANSISTOR		1	
	Q5101	RT1N141C-X	DIGI TRANSISTOR		1	
	Q5101 or	DTC114EKA-X	DIGI TRANSISTOR		1	
	Q5102	2SC1623A/5-6/-X	TRANSISTOR		1	
	Q5103	2SC1623A/5-6/-X	TRANSISTOR		1	
	Q5105	2SC1623A/5-6/-X	TRANSISTOR		1	
	Q5201	2SA812A/5-6/-X	TRANSISTOR		1	
	Q5202	2SA812A/5-6/-X	TRANSISTOR		1	
	Q5204	2SA812A/5-6/-X	TRANSISTOR		1	
	D4001	RB521S-30-X	SB DIODE		1	
	D4002	RB521S-30-X	SB DIODE		1	
	D5101	RKZ15B2KG-X	Z DIODE		1	
	D5101 or	UDZW15B-X	Z DIODE		1	
	D5102	HSU119-X	SI DIODE		1	
	C4009	NCBA1AK-104W	C CAPACITOR	0.1uF 10V K	1	
	C4016	NCJ21CK-106X-R	C CAPACITOR	10uF 16V K	1	
	C4021	NCBA1AK-104W	C CAPACITOR	0.1uF 10V K	1	
	C4023	NCBA1AK-104W	C CAPACITOR	0.1uF 10V K	1	
	C4035	NCBA1AK-104W	C CAPACITOR	0.1uF 10V K	1	
	C4037	NCBA1AK-104W	C CAPACITOR	0.1uF 10V K	1	
	C4048	NCBA1AK-104W	C CAPACITOR	0.1uF 10V K	1	
	C4062	NCBA1AK-104W	C CAPACITOR	0.1uF 10V K	1	
	C4075	NCB20JK-106X	C CAPACITOR	10uF 6.3V K	1	
	C4077	NCBA1AK-104W	C CAPACITOR	0.1uF 10V K	1	
	C4088	NCBA1AK-104W	C CAPACITOR	0.1uF 10V K	1	
	C4090	NCBA1AK-104W	C CAPACITOR	0.1uF 10V K	1	
	C4101	NCBA1AK-104W	C CAPACITOR	0.1uF 10V K	1	
	C4109	NCB20JK-106X	C CAPACITOR	10uF 6.3V K	1	
	C4112	NCB20JK-106X	C CAPACITOR	10uF 6.3V K	1	
	C4121	NCBA1AK-104W	C CAPACITOR	0.1uF 10V K	1	
	C4132	NCBA1AK-104W	C CAPACITOR	0.1uF 10V K	1	
	C4134	NCBA1AK-104W	C CAPACITOR	0.1uF 10V K	1	
	C4135	NCBA1AK-104W	C CAPACITOR	0.1uF 10V K	1	
	C4145	NCBA1AK-104W	C CAPACITOR	0.1uF 10V K	1	
	C4157	NCBA1AK-104W	C CAPACITOR	0.1uF 10V K	1	
	C4163	NCBA1AK-104W	C CAPACITOR	0.1uF 10V K	1	
	C4164	NCBA1AK-104W	C CAPACITOR	0.1uF 10V K	1	
	C4165	NCBA1AK-104W	C CAPACITOR	0.1uF 10V K	1	
	C4166	NCBA1AK-104W	C CAPACITOR	0.1uF 10V K	1	
	C4169	NCBA1AK-104W	C CAPACITOR	0.1uF 10V K	1	
	C4173	NDCA1HJ-330W	C CAPACITOR	33pF 50V J	1	
	C4174	NDCA1HJ-680W	C CAPACITOR	68pF 50V J	1	
	C4175	NCB20JK-106X	C CAPACITOR	10uF 6.3V K	1	
	C4177	NCBA1CK-103W	C CAPACITOR	0.01uF 16V K	1	
	C4179	NDCA1HJ-100W	C CAPACITOR	10pF 50V J	1	
	C4180	NDCA1HJ-100W	C CAPACITOR	10pF 50V J	1	
	C4184	NCBA1AK-104W	C CAPACITOR	0.1uF 10V K	1	
	C4186	NCBA1AK-104W	C CAPACITOR	0.1uF 10V K	1	
	C4197	NCBA1AK-104W	C CAPACITOR	0.1uF 10V K	1	
	C4199	NCBA1AK-104W	C CAPACITOR	0.1uF 10V K	1	
	C4211	NCBA1AK-104W	C CAPACITOR	0.1uF 10V K	1	
	C4303	NCBA1AK-104W	C CAPACITOR	0.1uF 10V K	1	
	C4304	NCB20JK-106X	C CAPACITOR	10uF 6.3V K	1	
	C4305	NBE20JM-476X	TA E CAPACITOR	47uF 6.3V M	1	
	C4306	NCB20JK-106X	C CAPACITOR	10uF 6.3V K	1	
	C4307	NCBA1AK-104W	C CAPACITOR	0.1uF 10V K	1	
	C4308	NDCA1HJ-100W	C CAPACITOR	10pF 50V J	1	
	C4309	NDCA1HJ-100W	C CAPACITOR	10pF 50V J	1	
	C4401	NCBA1AK-104W	C CAPACITOR	0.1uF 10V K	1	

MODEL	MARK	MODEL	MARK	MODEL	MARK	MODEL	MARK
KW-ADV793J	A	KW-AVX730E	B	KW-AVX730EE	C	KW-AVX730J	D
KW-AVX735EU	E	KW-AVX735U	F	KW-AVX735UN	G	KW-AVX736A	H
KW-AVX736EU	I	KW-AVX736U	J	KW-AVX736UN	K	KW-AVX736UT	L
KW-AVX736UW	M	KW-AVX738JW	N	KW-AVX830E	O	KW-AVX830J	P
KW-AVX835EU	Q	KW-AVX835U	R	KW-AVX835UN	S	KW-AVX836A	T
KW-AVX836EU	U	KW-AVX836U	V	KW-AVX836UN	W	KW-AVX836UT	X
KW-AVX836UW	Y	KW-AVX838JW	Z	KW-AVX838UF	AA		

Safe	Symbol No.	Parts No.	Parts Name	Description	QTY	Local
	C4402	NDCA1HJ-680W	C CAPACITOR	68pF 50V J	1	
	C4404	NDCA1HJ-180W	C CAPACITOR	18pF 50V J	1	
	C4405	NCB20JK-106X	C CAPACITOR	10uF 6.3V K	1	
	C4537	NCB20JK-106X	C CAPACITOR	10uF 6.3V K	1	
	C4601	NCBA1AK-104W	C CAPACITOR	0.1uF 10V K	1	
	C4603	NCBA1AK-104W	C CAPACITOR	0.1uF 10V K	1	
	C4609	NCBA1AK-104W	C CAPACITOR	0.1uF 10V K	1	
	C4614	NCBA1AK-104W	C CAPACITOR	0.1uF 10V K	1	
	C4627	NCB20JK-106X	C CAPACITOR	10uF 6.3V K	1	
	C4643	NCBA1AK-104W	C CAPACITOR	0.1uF 10V K	1	
	C4649	NCBA1AK-104W	C CAPACITOR	0.1uF 10V K	1	
	C5009	NCB20JK-106X	C CAPACITOR	10uF 6.3V K	1	
	C5018	NCBA1AK-104W	C CAPACITOR	0.1uF 10V K	1	
	C5026	NCB20JK-106X	C CAPACITOR	10uF 6.3V K	1	
	C5033	NCB20JK-106X	C CAPACITOR	10uF 6.3V K	1	
	C5051	NCBA1CK-104W	C CAPACITOR	0.1uF 16V K	1	
	C5052	NCBA1AK-104W	C CAPACITOR	0.1uF 10V K	1	
	C5053	NCB31EK-104X	C CAPACITOR	0.1uF 25V K	1	
	C5054	NCBA1AK-104W	C CAPACITOR	0.1uF 10V K	1	
	C5101	NCB31EK-104X	C CAPACITOR	0.1uF 25V K	1	
	C5102	NCB21EK-105X	C CAPACITOR	1uF 25V K	1	
	C5103	NCJ11EK-106X-A	C CAPACITOR	10uF 25V K	1	
	C5201	NCBA1CK-104W	C CAPACITOR	0.1uF 16V K	1	
	C5202	NCJ21CK-106X-R	C CAPACITOR	10uF 16V K	1	
	C5203	NCBA1CK-104W	C CAPACITOR	0.1uF 16V K	1	
	C5301	NCB31AK-474X	C CAPACITOR	0.47uF 10V K	1	
	C5302	NCB31AK-474X	C CAPACITOR	0.47uF 10V K	1	
	C5304	NCB31EK-104X	C CAPACITOR	0.1uF 25V K	1	
	C5501	NCBA1AK-104W	C CAPACITOR	0.1uF 10V K	1	E, F, G, H, I, J, K, L, M, Q, R, S, T, U, V, W, X, Y, AA
	C5503	NCB20JK-106X	C CAPACITOR	10uF 6.3V K	1	E, F, G, H, I, J, K, L, M, Q, R, S, T, U, V, W, X, Y, AA
	C5504	NCB20JK-106X	C CAPACITOR	10uF 6.3V K	1	E, F, G, H, I, J, K, L, M, Q, R, S, T, U, V, W, X, Y, AA
	C5506	NCBA1HK-102W	C CAPACITOR	1000pF 50V K	1	E, F, G, H, I, J, K, L, M, Q, R, S, T, U, V, W, X, Y, AA
	C5507	NCBA1AK-104W	C CAPACITOR	0.1uF 10V K	1	E, F, G, H, I, J, K, L, M, Q, R, S, T, U, V, W, X, Y, AA
	C5508	NCBA1AK-104W	C CAPACITOR	0.1uF 10V K	1	E, F, G, H, I, J, K, L, M, Q, R, S, T, U, V, W, X, Y, AA
	C5509	NCBA1HK-102W	C CAPACITOR	1000pF 50V K	1	E, F, G, H, I, J, K, L, M, Q, R, S, T, U, V, W, X, Y, AA
	C5510	NCBA1HK-102W	C CAPACITOR	1000pF 50V K	1	E, F, G, H, I, J, K, L, M, Q, R, S, T, U, V, W, X, Y, AA
	C5511	NCBA1AK-104W	C CAPACITOR	0.1uF 10V K	1	E, F, G, H, I, J, K, L, M, Q, R, S, T, U, V, W, X, Y, AA
	C5512	NCBA1AK-104W	C CAPACITOR	0.1uF 10V K	1	E, F, G, H, I, J, K, L, M, Q, R, S, T, U, V, W, X, Y, AA
	C5513	NCBA1AK-104W	C CAPACITOR	0.1uF 10V K	1	E, F, G, H, I, J, K, L, M, Q, R, S, T, U, V, W, X, Y, AA
	C5514	NCBA1HK-102W	C CAPACITOR	1000pF 50V K	1	E, F, G, H, I, J, K, L, M, Q, R, S, T, U, V, W, X, Y, AA
	C5515	NCBA1AK-104W	C CAPACITOR	0.1uF 10V K	1	E, F, G, H, I, J, K, L, M, Q, R, S, T, U, V, W, X, Y, AA
	C5516	NCB20JK-106X	C CAPACITOR	10uF 6.3V K	1	E, F, G, H, I, J, K, L, M, Q, R, S, T, U, V, W, X, Y, AA
	C5517	NCB20JK-106X	C CAPACITOR	10uF 6.3V K	1	E, F, G, H, I, J, K, L, M, Q, R, S, T, U, V, W, X, Y, AA
	C5518	NDCA1HJ-470W	C CAPACITOR	47pF 50V J	1	E, F, G, H, I, J, K, L, M, Q, R, S, T, U, V, W, X, Y, AA
	C5519	NDCA1HJ-470W	C CAPACITOR	47pF 50V J	1	E, F, G, H, I, J, K, L, M, Q, R, S, T, U, V, W, X, Y, AA
	C5520	NDCA1HJ-470W	C CAPACITOR	47pF 50V J	1	E, F, G, H, I, J, K, L, M, Q, R, S, T, U, V, W, X, Y, AA
	C5521	NCBA1AK-104W	C CAPACITOR	0.1uF 10V K	1	E, F, G, H, I, J, K, L, M, Q, R, S, T, U, V, W, X, Y, AA

MODEL	MARK	MODEL	MARK	MODEL	MARK	MODEL	MARK
KW-ADV793J	A	KW-AVX730E	B	KW-AVX730EE	C	KW-AVX730J	D
KW-AVX735EU	E	KW-AVX735U	F	KW-AVX735UN	G	KW-AVX736A	H
KW-AVX736EU	I	KW-AVX736U	J	KW-AVX736UN	K	KW-AVX736UT	L
KW-AVX736UW	M	KW-AVX738JW	N	KW-AVX830E	O	KW-AVX830J	P
KW-AVX835EU	Q	KW-AVX835U	R	KW-AVX835UN	S	KW-AVX836A	T
KW-AVX836EU	U	KW-AVX836U	V	KW-AVX836UN	W	KW-AVX836UT	X
KW-AVX836UW	Y	KW-AVX838JW	Z	KW-AVX838UF	AA		

Safe	Symbol No.	Parts No.	Parts Name	Description	QTY	Local
	C5522	NCBA1AK-104W	C CAPACITOR	0.1uF 10V K	1	E, F, G, H, I, J, K, L, M, Q, R, S, T, U, V, W, X, Y, AA
	C5523	NCBA1AK-104W	C CAPACITOR	0.1uF 10V K	1	E, F, G, H, I, J, K, L, M, Q, R, S, T, U, V, W, X, Y, AA
	C5524	NCBA1AK-104W	C CAPACITOR	0.1uF 10V K	1	E, F, G, H, I, J, K, L, M, Q, R, S, T, U, V, W, X, Y, AA
	C5525	NCB20JK-106X	C CAPACITOR	10uF 6.3V K	1	E, F, G, H, I, J, K, L, M, Q, R, S, T, U, V, W, X, Y, AA
	C5526	NCBA1AK-104W	C CAPACITOR	0.1uF 10V K	1	E, F, G, H, I, J, K, L, M, Q, R, S, T, U, V, W, X, Y, AA
	C5527	NCBA1AK-104W	C CAPACITOR	0.1uF 10V K	1	E, F, G, H, I, J, K, L, M, Q, R, S, T, U, V, W, X, Y, AA
	C5528	NCBA1AK-104W	C CAPACITOR	0.1uF 10V K	1	E, F, G, H, I, J, K, L, M, Q, R, S, T, U, V, W, X, Y, AA
	C5529	NCBA1AK-104W	C CAPACITOR	0.1uF 10V K	1	E, F, G, H, I, J, K, L, M, Q, R, S, T, U, V, W, X, Y, AA
	C5530	NCBA1AK-104W	C CAPACITOR	0.1uF 10V K	1	E, F, G, H, I, J, K, L, M, Q, R, S, T, U, V, W, X, Y, AA
	C5531	NCB31CK-823X	C CAPACITOR	0.082uF 16V K	1	E, F, G, H, I, J, K, L, M, Q, R, S, T, U, V, W, X, Y, AA
	C5532	NCB31HK-822X	C CAPACITOR	8200pF 50V K	1	E, F, G, H, I, J, K, L, M, Q, R, S, T, U, V, W, X, Y, AA
	C5533	NCBA1AK-104W	C CAPACITOR	0.1uF 10V K	1	E, F, G, H, I, J, K, L, M, Q, R, S, T, U, V, W, X, Y, AA
	C5534	NCB20JK-106X	C CAPACITOR	10uF 6.3V K	1	E, F, G, H, I, J, K, L, M, Q, R, S, T, U, V, W, X, Y, AA
	R4017	NRSA6AJ-220W	MG RESISTOR	22Ω 1/16W J	1	
	R4114	NRSA6AJ-103W	MG RESISTOR	10kΩ 1/16W J	1	
	R4115	NRSA6AJ-103W	MG RESISTOR	10kΩ 1/16W J	1	
	R4116	NRSA6AJ-101W	MG RESISTOR	100Ω 1/16W J	1	
	R4118	NRSA6AJ-101W	MG RESISTOR	100Ω 1/16W J	1	
	R4119	NRSA6AJ-103W	MG RESISTOR	10kΩ 1/16W J	1	
	R4120	NRSA6AJ-103W	MG RESISTOR	10kΩ 1/16W J	1	
	R4122	NRSA6AJ-101W	MG RESISTOR	100Ω 1/16W J	1	
	R4123	NRSA6AJ-101W	MG RESISTOR	100Ω 1/16W J	1	
	R4124	NRSA6AJ-101W	MG RESISTOR	100Ω 1/16W J	1	
	R4125	NRSA6AJ-101W	MG RESISTOR	100Ω 1/16W J	1	
	R4126	NRSA6AJ-101W	MG RESISTOR	100Ω 1/16W J	1	
	R4127	NRSA6AJ-101W	MG RESISTOR	100Ω 1/16W J	1	
	R4128	NRSA6AJ-102W	MG RESISTOR	1kΩ 1/16W J	1	
	R4129	NRSA6AJ-102W	MG RESISTOR	1kΩ 1/16W J	1	
	R4130	NRSA6AJ-101W	MG RESISTOR	100Ω 1/16W J	1	
	R4131	NRSA6AJ-101W	MG RESISTOR	100Ω 1/16W J	1	
	R4135	NRSA6AJ-101W	MG RESISTOR	100Ω 1/16W J	1	
	R4136	NRSA6AJ-102W	MG RESISTOR	1kΩ 1/16W J	1	
	R4137	NRSA6AJ-220W	MG RESISTOR	22Ω 1/16W J	1	
	R4159	NRSA6AJ-473W	MG RESISTOR	47kΩ 1/16W J	1	A, B, C, D, N, O, P, Z
	R4161	NRSA6AJ-473W	MG RESISTOR	47kΩ 1/16W J	1	A, B, C, D, N, O, P, Z
	R4162	NRSA6AJ-473W	MG RESISTOR	47kΩ 1/16W J	1	A, B, C, D, N, O, P, Z
	R4163	NRSA6AD-123W	MG RESISTOR	12kΩ 1/16W D	1	
	R4171	NRSA6AJ-752W	MG RESISTOR	7.5kΩ 1/16W J	1	
	R4172	NRSA6AJ-622W	MG RESISTOR	6.2kΩ 1/16W J	1	
	R4173	NRSA6AJ-272W	MG RESISTOR	2.7kΩ 1/16W J	1	
	R4174	NRSA6AJ-471W	MG RESISTOR	470Ω 1/16W J	1	
	R4175	NRSA6AJ-471W	MG RESISTOR	470Ω 1/16W J	1	
	R4178	NRSA6AJ-103W	MG RESISTOR	10kΩ 1/16W J	1	
	R4180	NRSA6AJ-681W	MG RESISTOR	680Ω 1/16W J	1	
	R4187	NRSA6AJ-103W	MG RESISTOR	10kΩ 1/16W J	1	
	R4189	NRSA6AJ-102W	MG RESISTOR	1kΩ 1/16W J	1	
	R4190	NRSA6AJ-220W	MG RESISTOR	22Ω 1/16W J	1	
	R4200	NRSA6AJ-101W	MG RESISTOR	100Ω 1/16W J	1	
	R4301	NRSA6AJ-102W	MG RESISTOR	1kΩ 1/16W J	1	
	R4302	NRSA6AJ-102W	MG RESISTOR	1kΩ 1/16W J	1	
	R4303	NRSA6AJ-472W	MG RESISTOR	4.7kΩ 1/16W J	1	
	R4304	NRSA6AJ-472W	MG RESISTOR	4.7kΩ 1/16W J	1	
	R4306	NRSA6AJ-103W	MG RESISTOR	10kΩ 1/16W J	1	
	R4307	NRSA6AJ-223W	MG RESISTOR	22kΩ 1/16W J	1	
	R4308	NRSA6AJ-101W	MG RESISTOR	100Ω 1/16W J	1	
	R4309	NRSA6AJ-0R0W	MG RESISTOR	0Ω 1/16W J	1	
	R4310	NRSA6AJ-0R0W	MG RESISTOR	0Ω 1/16W J	1	
	R4311	NRSA6AJ-105W	MG RESISTOR	1MΩ 1/16W J	1	
	R4314	NRSA02J-0R0X	MG RESISTOR	0Ω 1/10W J	1	

MODEL	MARK	MODEL	MARK	MODEL	MARK	MODEL	MARK
KW-ADV793J	A	KW-AVX730E	B	KW-AVX730EE	C	KW-AVX730J	D
KW-AVX735EU	E	KW-AVX735U	F	KW-AVX735UN	G	KW-AVX736A	H
KW-AVX736EU	I	KW-AVX736U	J	KW-AVX736UN	K	KW-AVX736UT	L
KW-AVX736UW	M	KW-AVX738JW	N	KW-AVX830E	O	KW-AVX830J	P
KW-AVX835EU	Q	KW-AVX835U	R	KW-AVX835UN	S	KW-AVX836A	T
KW-AVX836EU	U	KW-AVX836U	V	KW-AVX836UN	W	KW-AVX836UT	X
KW-AVX836UW	Y	KW-AVX838JW	Z	KW-AVX838UF	AA		

Safe	Symbol No.	Parts No.	Parts Name	Description	QTY	Local
	R4401	NRSA6AJ-391W	MG RESISTOR	390Ω 1/16W J	1	
	R4405	NRSA6AJ-152W	MG RESISTOR	1.5kΩ 1/16W J	1	
	R4407	NRSA6AJ-471W	MG RESISTOR	470Ω 1/16W J	1	
	R4408	NRSA02J-0R0X	MG RESISTOR	0Ω 1/10W J	1	
	R4514	NRSA6AJ-103W	MG RESISTOR	10kΩ 1/16W J	1	
	R4547	NRSA6AJ-103W	MG RESISTOR	10kΩ 1/16W J	1	
	R5001	NRSA6AJ-102W	MG RESISTOR	1kΩ 1/16W J	1	
	R5015	NRSA6AJ-102W	MG RESISTOR	1kΩ 1/16W J	1	
	R5016	NRSA6AJ-102W	MG RESISTOR	1kΩ 1/16W J	1	
	R5018	NRSA6AJ-102W	MG RESISTOR	1kΩ 1/16W J	1	
	R5022	NRSA6AJ-101W	MG RESISTOR	100Ω 1/16W J	1	
	R5023	NRSA6AJ-101W	MG RESISTOR	100Ω 1/16W J	1	
	R5028	NRSA6AJ-102W	MG RESISTOR	1kΩ 1/16W J	1	
	R5029	NRSA6AJ-102W	MG RESISTOR	1kΩ 1/16W J	1	
	R5033	NRSA02J-0R0X	MG RESISTOR	0Ω 1/10W J	1	
	R5064	NRSA6AJ-331W	MG RESISTOR	330Ω 1/16W J	1	
	R5065	NRSA6AJ-473W	MG RESISTOR	47kΩ 1/16W J	1	
	R5066	NRSA6AJ-392W	MG RESISTOR	3.9kΩ 1/16W J	1	
	R5067	NRSA6AJ-103W	MG RESISTOR	10kΩ 1/16W J	1	
	R5068	NRSA6AJ-472W	MG RESISTOR	4.7kΩ 1/16W J	1	
	R5101	NRSA6AJ-473W	MG RESISTOR	47kΩ 1/16W J	1	
	R5102	NRSA6AJ-822W	MG RESISTOR	8.2kΩ 1/16W J	1	
	R5103	NRSA6AJ-163W	MG RESISTOR	16kΩ 1/16W J	1	
	R5104	NRSA6AJ-103W	MG RESISTOR	10kΩ 1/16W J	1	
	R5105	NRSA6AJ-822W	MG RESISTOR	8.2kΩ 1/16W J	1	
	R5106	NRSA6AJ-390W	MG RESISTOR	39Ω 1/16W J	1	
	R5201	NRSA6AJ-103W	MG RESISTOR	10kΩ 1/16W J	1	
	R5202	NRSA6AJ-103W	MG RESISTOR	10kΩ 1/16W J	1	
	R5203	NRSA6AJ-333W	MG RESISTOR	33kΩ 1/16W J	1	
	R5204	NRSA6AJ-562W	MG RESISTOR	5.6kΩ 1/16W J	1	
	R5205	NRSA6AJ-103W	MG RESISTOR	10kΩ 1/16W J	1	
	R5206	NRSA6AJ-103W	MG RESISTOR	10kΩ 1/16W J	1	
	R5207	NRSA6AJ-392W	MG RESISTOR	3.9kΩ 1/16W J	1	
	R5208	NRSA6AJ-273W	MG RESISTOR	27kΩ 1/16W J	1	
	R5210	NRSA6AJ-100W	MG RESISTOR	10Ω 1/16W J	1	
	R5211	NRSA6AJ-100W	MG RESISTOR	10Ω 1/16W J	1	
	R5213	NRSA6AJ-2R2W	MG RESISTOR	2.2Ω 1/16W J	1	
	R5214	NRSA6AJ-2R2W	MG RESISTOR	2.2Ω 1/16W J	1	
	R5215	NRSA6AJ-390W	MG RESISTOR	39Ω 1/16W J	1	
	R5218	NRSA6AJ-220W	MG RESISTOR	22Ω 1/16W J	1	
	R5301	NRSA6AJ-104W	MG RESISTOR	100kΩ 1/16W J	1	
	R5302	NRSA6AJ-683W	MG RESISTOR	68kΩ 1/16W J	1	
	R5303	NRSA6AJ-683W	MG RESISTOR	68kΩ 1/16W J	1	
	R5305	NRSA6AJ-103W	MG RESISTOR	10kΩ 1/16W J	1	
	R5306	NRSA6AJ-103W	MG RESISTOR	10kΩ 1/16W J	1	
	R5307	NRSA6AJ-103W	MG RESISTOR	10kΩ 1/16W J	1	
	R5308	NRSA6AJ-562W	MG RESISTOR	5.6kΩ 1/16W J	1	
	R5309	NRSA6AJ-103W	MG RESISTOR	10kΩ 1/16W J	1	
	R5310	NRSA6AJ-562W	MG RESISTOR	5.6kΩ 1/16W J	1	
	R5311	NRSA6AJ-272W	MG RESISTOR	2.7kΩ 1/16W J	1	
	R5312	NRSA6AJ-272W	MG RESISTOR	2.7kΩ 1/16W J	1	
	R5501	NRSA6AJ-102W	MG RESISTOR	1kΩ 1/16W J	1	E,F,G,H,I,J,K,L,M,Q,R,S,T ,U,V,W,X,Y,AA
	R5503	NRSA6AJ-561W	MG RESISTOR	560Ω 1/16W J	1	E,F,G,H,I,J,K,L,M,Q,R,S,T ,U,V,W,X,Y,AA
	R5504	NRSA6AJ-561W	MG RESISTOR	560Ω 1/16W J	1	E,F,G,H,I,J,K,L,M,Q,R,S,T ,U,V,W,X,Y,AA
	R5505	NRSA6AJ-561W	MG RESISTOR	560Ω 1/16W J	1	E,F,G,H,I,J,K,L,M,Q,R,S,T ,U,V,W,X,Y,AA
	R5506	NRSA6AJ-473W	MG RESISTOR	47kΩ 1/16W J	1	E,F,G,H,I,J,K,L,M,Q,R,S,T ,U,V,W,X,Y,AA
	R5508	NRSA6AJ-101W	MG RESISTOR	100Ω 1/16W J	1	E,F,G,H,I,J,K,L,M,Q,R,S,T ,U,V,W,X,Y,AA
	R5509	NRSA6AJ-101W	MG RESISTOR	100Ω 1/16W J	1	E,F,G,H,I,J,K,L,M,Q,R,S,T ,U,V,W,X,Y,AA
	R5510	NRSA6AJ-680W	MG RESISTOR	68Ω 1/16W J	1	E,F,G,H,I,J,K,L,M,Q,R,S,T ,U,V,W,X,Y,AA
	R5511	NRSA6AJ-680W	MG RESISTOR	68Ω 1/16W J	1	E,F,G,H,I,J,K,L,M,Q,R,S,T ,U,V,W,X,Y,AA
	R5512	NRSA6AJ-680W	MG RESISTOR	68Ω 1/16W J	1	E,F,G,H,I,J,K,L,M,Q,R,S,T ,U,V,W,X,Y,AA
	R5513	NRSA6AJ-101W	MG RESISTOR	100Ω 1/16W J	1	E,F,G,H,I,J,K,L,M,Q,R,S,T ,U,V,W,X,Y,AA

MODEL	MARK	MODEL	MARK	MODEL	MARK	MODEL	MARK
KW-ADV793J	A	KW-AVX730E	B	KW-AVX730EE	C	KW-AVX730J	D
KW-AVX735EU	E	KW-AVX735U	F	KW-AVX735UN	G	KW-AVX736A	H
KW-AVX736EU	I	KW-AVX736U	J	KW-AVX736UN	K	KW-AVX736UT	L
KW-AVX736UW	M	KW-AVX738JW	N	KW-AVX830E	O	KW-AVX830J	P
KW-AVX835EU	Q	KW-AVX835U	R	KW-AVX835UN	S	KW-AVX836A	T
KW-AVX836EU	U	KW-AVX836U	V	KW-AVX836UN	W	KW-AVX836UT	X
KW-AVX836UW	Y	KW-AVX838JW	Z	KW-AVX838UF	AA		

Safe	Symbol No.	Parts No.	Parts Name	Description	QTY	Local
	R5514	NRSA6AJ-101W	MG RESISTOR	100Ω 1/16W J	1	E,F,G,H,I,J,K,L,M,Q,R,S,T ,U,V,W,X,Y,AA
	R5515	NRSA6AJ-220W	MG RESISTOR	22Ω 1/16W J	1	E,F,G,H,I,J,K,L,M,Q,R,S,T ,U,V,W,X,Y,AA
	R5517	NRSA6AJ-102W	MG RESISTOR	1kΩ 1/16W J	1	E,F,G,H,I,J,K,L,M,Q,R,S,T ,U,V,W,X,Y,AA
	R5518	NRSA6AJ-152W	MG RESISTOR	1.5kΩ 1/16W J	1	E,F,G,H,I,J,K,L,M,Q,R,S,T ,U,V,W,X,Y,AA
	R5520	NRSA6AJ-222W	MG RESISTOR	2.2kΩ 1/16W J	1	E,F,G,H,I,J,K,L,M,Q,R,S,T ,U,V,W,X,Y,AA
	RA401	NRZ0114-680W	NET RESISTOR	68Ω	1	
	RA402	NRZ0114-680W	NET RESISTOR	68Ω	1	
	RA403	NRZ0114-680W	NET RESISTOR	68Ω	1	
	RA404	NRZ0114-680W	NET RESISTOR	68Ω	1	
	RA405	NRZ0114-680W	NET RESISTOR	68Ω	1	
	RA406	NRZ0114-680W	NET RESISTOR	68Ω	1	
	RA407	NRZ0114-680W	NET RESISTOR	68Ω	1	
	RA408	NRZ0114-680W	NET RESISTOR	68Ω	1	
	RA409	NRZ0114-680W	NET RESISTOR	68Ω	1	
	RA410	NRZ0114-680W	NET RESISTOR	68Ω	1	
	RA411	NRZ0114-680W	NET RESISTOR	68Ω	1	
	RA412	NRZ0114-680W	NET RESISTOR	68Ω	1	
	RA413	NRZ0114-680W	NET RESISTOR	68Ω	1	
	RA414	NRZ0114-680W	NET RESISTOR	68Ω	1	
	RA415	NRZ0114-680W	NET RESISTOR	68Ω	1	
	RA501	NRZ0114-101W	NET RESISTOR	100Ω	1	
	RA502	NRZ0114-101W	NET RESISTOR	100Ω	1	
	RA503	NRZ0114-101W	NET RESISTOR	100Ω	1	
	RA551	NRZ0114-680W	NET RESISTOR	68Ω	1	E,F,G,H,I,J,K,L,M,Q,R,S,T ,U,V,W,X,Y,AA
	RA552	NRZ0114-680W	NET RESISTOR	68Ω	1	E,F,G,H,I,J,K,L,M,Q,R,S,T ,U,V,W,X,Y,AA
	RA553	NRZ0114-680W	NET RESISTOR	68Ω	1	E,F,G,H,I,J,K,L,M,Q,R,S,T ,U,V,W,X,Y,AA
	RA554	NRZ0114-680W	NET RESISTOR	68Ω	1	E,F,G,H,I,J,K,L,M,Q,R,S,T ,U,V,W,X,Y,AA
	L4402	NQLD8DJ-470X	COIL	47uH J	1	
	L5101	NQL382M-220X	COIL	22uH M	1	
	L5201	NQL382M-220X	COIL	22uH M	1	
	CN401	QGF0523F5-28W	CONNECTOR	FFC/FPC (1-28)	1	
	CN501	QGF0534F2-30X	CONNECTOR	FFC/FPC (1-30)	1	
△	TH531	NAD0028-103X	N THERMISTOR	10kΩ	1	
	X4001	NAX0971-001X	CRYSTAL		1	
	X4002	NAX0970-001X	CRYSTAL		1	
Panel-B board <03>						
△	IC601	JVM453B	IC(MCU)		1	
	IC611	OZ964ISN-X	IC		1	
	IC612	TC7SET08FU-J-X	IC(DIGITAL)		1	
	IC613	TPCP8402JVC-X	POWER MOS FET		1	
	IC614	TPCP8402JVC-X	POWER MOS FET		1	
	IC631	RS-771-X	IR DETECT UNIT		1	
	Q6001	2SA812A/5-6/-X	TRANSISTOR		1	
	Q6002	RT1N141C-X	DIGI TRANSISTOR		1	
	Q6002 or	DTC114EKA-X	DIGI TRANSISTOR		1	
	Q6003	RT1N141C-X	DIGI TRANSISTOR		1	
	Q6003 or	DTC114EKA-X	DIGI TRANSISTOR		1	
	Q6101	2SA812A/5-6/-X	TRANSISTOR		1	
	Q6102	RT1N141C-X	DIGI TRANSISTOR		1	
	Q6102 or	DTC114EKA-X	DIGI TRANSISTOR		1	
	Q6201	2SA812A/5-6/-X	TRANSISTOR		1	
	Q6202	RT1N141C-X	DIGI TRANSISTOR		1	
	Q6202 or	DTC114EKA-X	DIGI TRANSISTOR		1	
	Q6203	2SA812A/5-6/-X	TRANSISTOR		1	
	Q6204	RT1N141C-X	DIGI TRANSISTOR		1	
	Q6204 or	DTC114EKA-X	DIGI TRANSISTOR		1	
	Q6205	RT1P141C-X	DIGI TRANSISTOR		1	
	Q6205 or	DTA114EKA-X	DIGI TRANSISTOR		1	
	Q6206	RT1N141C-X	DIGI TRANSISTOR		1	
	Q6206 or	DTC114EKA-X	DIGI TRANSISTOR		1	
	Q6207	2SC1623A/5-6/-X	TRANSISTOR		1	
	Q6208	RT1N141C-X	DIGI TRANSISTOR		1	
	Q6208 or	DTC114EKA-X	DIGI TRANSISTOR		1	
	Q6209	UMT18N-W	TRANSISTOR		1	
	Q6210	IMX9-W	PAIR TRANSISTOR		1	
	Q6501	2SC1623A/5-6/-X	TRANSISTOR		1	
	Q6502	RT1N141C-X	DIGI TRANSISTOR		1	
	Q6502 or	DTC114EKA-X	DIGI TRANSISTOR		1	

MODEL	MARK	MODEL	MARK	MODEL	MARK	MODEL	MARK
KW-ADV793J	A	KW-AVX730E	B	KW-AVX730EE	C	KW-AVX730J	D
KW-AVX735EU	E	KW-AVX735U	F	KW-AVX735UN	G	KW-AVX736A	H
KW-AVX736EU	I	KW-AVX736U	J	KW-AVX736UN	K	KW-AVX736UT	L
KW-AVX736UW	M	KW-AVX738JW	N	KW-AVX830E	O	KW-AVX830J	P
KW-AVX835EU	Q	KW-AVX835U	R	KW-AVX835UN	S	KW-AVX836A	T
KW-AVX836EU	U	KW-AVX836U	V	KW-AVX836UN	W	KW-AVX836UT	X
KW-AVX836UW	Y	KW-AVX838JW	Z	KW-AVX838UF	AA		

Safe	Symbol No.	Parts No.	Parts Name	Description	QTY	Local
	D6101	HSU119-X	SI DIODE		1	
	D6102	RKZ4.7B2KG-X	Z DIODE		1	
	D6102	UDZW4.7B-X	Z DIODE		1	
	D6103	RKZ4.7B2KG-X	Z DIODE		1	
	D6103	UDZW4.7B-X	Z DIODE		1	
	D6104	RKZ4.7B2KG-X	Z DIODE		1	
	D6104	UDZW4.7B-X	Z DIODE		1	
	D6105	BAV99L-X	SI DIODE		1	
	D6106	BAV99L-X	SI DIODE		1	
	D6107	RKZ4.7B2KG-X	Z DIODE		1	
	D6107	UDZW4.7B-X	Z DIODE		1	
	D6201	HSU119-X	SI DIODE		1	
	D6202	MC2838-X	DIODE		1	
	D6202	DAN202K-X	SI DIODE		1	
	D6301	QSMR-C13G-X	LED		1	A,B,C,D,E,F,G,H,I,J,K,L,M .N,P,Q,R,S,T,U,V,W,X,Y, Z,AA O
	D6301	HSMW-C130-X	LED		1	
	D6302	QSMR-C13G-X	LED		1	A,B,C,D,E,F,G,H,I,J,K,L,M .N,P,Q,R,S,T,U,V,W,X,Y, Z,AA O
	D6302	HSMW-C130-X	LED		1	
	D6303	QSMR-C13G-X	LED		1	A,B,C,D,E,F,G,H,I,J,K,L,M .N,P,Q,R,S,T,U,V,W,X,Y, Z,AA O
	D6303	HSMW-C130-X	LED		1	
	D6304	QSMR-C13G-X	LED		1	A,B,C,D,E,F,G,H,I,J,K,L,M .N,P,Q,R,S,T,U,V,W,X,Y, Z,AA O
	D6304	HSMW-C130-X	LED		1	
	D6305	QSMR-C13G-X	LED		1	A,B,C,D,E,F,G,H,I,J,K,L,M .N,P,Q,R,S,T,U,V,W,X,Y, Z,AA O
	D6305	HSMW-C130-X	LED		1	
	D6306	QSMR-C13G-X	LED		1	A,B,C,D,E,F,G,H,I,J,K,L,M .N,P,Q,R,S,T,U,V,W,X,Y, Z,AA O
	D6306	HSMW-C130-X	LED		1	
	D6307	QSMR-C13G-X	LED		1	A,B,C,D,E,F,G,H,I,J,K,L,M .N,P,Q,R,S,T,U,V,W,X,Y, Z,AA O
	D6307	HSMW-C130-X	LED		1	
	D6308	QSMR-C13G-X	LED		1	A,B,C,D,E,F,G,H,I,J,K,L,M .N,P,Q,R,S,T,U,V,W,X,Y, Z,AA O
	D6308	HSMW-C130-X	LED		1	
	D6309	QSMR-C13G-X	LED		1	A,B,C,D,E,F,G,H,I,J,K,L,M .N,P,Q,R,S,T,U,V,W,X,Y, Z,AA O
	D6309	HSMW-C130-X	LED		1	
	D6310	QSMR-C13G-X	LED		1	A,B,C,D,E,F,G,H,I,J,K,L,M .N,P,Q,R,S,T,U,V,W,X,Y, Z,AA O
	D6310	HSMW-C130-X	LED		1	
	D6311	QSMR-C13G-X	LED		1	A,B,C,D,E,F,G,H,I,J,K,L,M .N,P,Q,R,S,T,U,V,W,X,Y, Z,AA O
	D6311	HSMW-C130-X	LED		1	
	D6312	QSMR-C13G-X	LED		1	A,B,C,D,E,F,G,H,I,J,K,L,M .N,P,Q,R,S,T,U,V,W,X,Y, Z,AA O
	D6312	HSMW-C130-X	LED		1	
	D6321	HSMW-C130-X	LED		1	A,D,N,O,P,Q,R,S,T,U,V,W .X,Y,Z,AA
	D6322	HSMW-C130-X	LED		1	A,D,N,O,P,Q,R,S,T,U,V,W .X,Y,Z,AA
	D6323	HSMW-C130-X	LED		1	A,D,N,O,P,Q,R,S,T,U,V,W .X,Y,Z,AA
	D6331	CL-2011R-X-X	IR LED		1	

MODEL	MARK	MODEL	MARK	MODEL	MARK	MODEL	MARK
KW-ADV793J	A	KW-AVX730E	B	KW-AVX730EE	C	KW-AVX730J	D
KW-AVX735EU	E	KW-AVX735U	F	KW-AVX735UN	G	KW-AVX736A	H
KW-AVX736EU	I	KW-AVX736U	J	KW-AVX736UN	K	KW-AVX736UT	L
KW-AVX736UW	M	KW-AVX738JW	N	KW-AVX830E	O	KW-AVX830J	P
KW-AVX835EU	Q	KW-AVX835U	R	KW-AVX835UN	S	KW-AVX836A	T
KW-AVX836EU	U	KW-AVX836U	V	KW-AVX836UN	W	KW-AVX836UT	X
KW-AVX836UW	Y	KW-AVX838JW	Z	KW-AVX838UF	AA		

Safe	Symbol No.	Parts No.	Parts Name	Description	QTY	Local
	D6341	QSMR-C13G-X	LED		1	A,B,C,D,E,F,G,H,I,J,K,L,M N,P,Q,R,S,T,U,V,W,X,Y, Z,AA
	D6341	HSMW-C130-X	LED		1	O
	D6342	QSMR-C13G-X	LED		1	A,B,C,D,E,F,G,H,I,J,K,L,M N,P,Q,R,S,T,U,V,W,X,Y, Z,AA
	D6342	HSMW-C130-X	LED		1	O
	D6344	QSMR-C13G-X	LED		1	A,B,C,D,E,F,G,H,I,J,K,L,M N,P,Q,R,S,T,U,V,W,X,Y, Z,AA
	D6344	HSMW-C130-X	LED		1	O
	D6501	RKZ6.2B2KG-X	Z DIODE		1	E,F,G,H,I,J,K,L,M,Q,R,S,T U,V,W,X,Y,AA
	D6501 or	UDZW6.2B-X	Z DIODE		1	E,F,G,H,I,J,K,L,M,Q,R,S,T U,V,W,X,Y,AA
	D6502	RKZ6.2B2KG-X	Z DIODE		1	E,F,G,H,I,J,K,L,M,Q,R,S,T U,V,W,X,Y,AA
	D6502 or	UDZW6.2B-X	Z DIODE		1	E,F,G,H,I,J,K,L,M,Q,R,S,T U,V,W,X,Y,AA
	D6503	RKZ6.2B2KG-X	Z DIODE		1	E,F,G,H,I,J,K,L,M,Q,R,S,T U,V,W,X,Y,AA
	D6503 or	UDZW6.2B-X	Z DIODE		1	E,F,G,H,I,J,K,L,M,Q,R,S,T U,V,W,X,Y,AA
	D6504	RKZ6.2B2KG-X	Z DIODE		1	E,F,G,H,I,J,K,L,M,Q,R,S,T U,V,W,X,Y,AA
	D6504 or	UDZW6.2B-X	Z DIODE		1	E,F,G,H,I,J,K,L,M,Q,R,S,T U,V,W,X,Y,AA
	D6505	RKZ6.2B2KG-X	Z DIODE		1	E,F,G,H,I,J,K,L,M,Q,R,S,T U,V,W,X,Y,AA
	D6505 or	UDZW6.2B-X	Z DIODE		1	E,F,G,H,I,J,K,L,M,Q,R,S,T U,V,W,X,Y,AA
	D6509	RKZ20B2KG-X	Z DIODE		1	E,F,G,H,I,J,K,L,M,Q,R,S,T U,V,W,X,Y,AA
	D6509 or	UDZW20B-X	Z DIODE		1	E,F,G,H,I,J,K,L,M,Q,R,S,T U,V,W,X,Y,AA
	D6510	RKZ6.2B2KG-X	Z DIODE		1	E,F,G,H,I,J,K,L,M,Q,R,S,T U,V,W,X,Y,AA
	D6510 or	UDZW6.2B-X	Z DIODE		1	E,F,G,H,I,J,K,L,M,Q,R,S,T U,V,W,X,Y,AA
	D6512	RKZ6.2B2KG-X	Z DIODE		1	E,F,G,H,I,J,K,L,M,Q,R,S,T U,V,W,X,Y,AA
	D6512 or	UDZW6.2B-X	Z DIODE		1	E,F,G,H,I,J,K,L,M,Q,R,S,T U,V,W,X,Y,AA
	D6513	RKZ6.2B2KG-X	Z DIODE		1	E,F,G,H,I,J,K,L,M,Q,R,S,T U,V,W,X,Y,AA
	D6513 or	UDZW6.2B-X	Z DIODE		1	E,F,G,H,I,J,K,L,M,Q,R,S,T U,V,W,X,Y,AA
	D6514	RKZ6.2B2KG-X	Z DIODE		1	E,F,G,H,I,J,K,L,M,Q,R,S,T U,V,W,X,Y,AA
	D6514 or	UDZW6.2B-X	Z DIODE		1	E,F,G,H,I,J,K,L,M,Q,R,S,T U,V,W,X,Y,AA
	D6515	RKZ6.2B2KG-X	Z DIODE		1	E,F,G,H,I,J,K,L,M,Q,R,S,T U,V,W,X,Y,AA
	D6515 or	UDZW6.2B-X	Z DIODE		1	E,F,G,H,I,J,K,L,M,Q,R,S,T U,V,W,X,Y,AA
	D6516	RKZ6.2B2KG-X	Z DIODE		1	E,F,G,H,I,J,K,L,M,Q,R,S,T U,V,W,X,Y,AA
	D6516 or	UDZW6.2B-X	Z DIODE		1	E,F,G,H,I,J,K,L,M,Q,R,S,T U,V,W,X,Y,AA
	D6517	RKZ6.2B2KG-X	Z DIODE		1	E,F,G,H,I,J,K,L,M,Q,R,S,T U,V,W,X,Y,AA
	D6517 or	UDZW6.2B-X	Z DIODE		1	E,F,G,H,I,J,K,L,M,Q,R,S,T U,V,W,X,Y,AA
	D6518	RKZ6.2B2KG-X	Z DIODE		1	E,F,G,H,I,J,K,L,M,Q,R,S,T U,V,W,X,Y,AA
	D6518 or	UDZW6.2B-X	Z DIODE		1	E,F,G,H,I,J,K,L,M,Q,R,S,T U,V,W,X,Y,AA
	D6519	RKZ6.2B2KG-X	Z DIODE		1	E,F,G,H,I,J,K,L,M,Q,R,S,T U,V,W,X,Y,AA
	D6519 or	UDZW6.2B-X	Z DIODE		1	E,F,G,H,I,J,K,L,M,Q,R,S,T U,V,W,X,Y,AA
	D6520	RKZ6.2B2KG-X	Z DIODE		1	E,F,G,H,I,J,K,L,M,Q,R,S,T U,V,W,X,Y,AA
	D6520 or	UDZW6.2B-X	Z DIODE		1	E,F,G,H,I,J,K,L,M,Q,R,S,T U,V,W,X,Y,AA
	D6521	RKZ6.2B2KG-X	Z DIODE		1	E,F,G,H,I,J,K,L,M,Q,R,S,T U,V,W,X,Y,AA
	D6521 or	UDZW6.2B-X	Z DIODE		1	E,F,G,H,I,J,K,L,M,Q,R,S,T U,V,W,X,Y,AA
	D6523	RKZ6.2B2KG-X	Z DIODE		1	E,F,G,H,I,J,K,L,M,Q,R,S,T U,V,W,X,Y,AA
	D6523 or	UDZW6.2B-X	Z DIODE		1	E,F,G,H,I,J,K,L,M,Q,R,S,T U,V,W,X,Y,AA
	D6526	RKZ6.2B2KG-X	Z DIODE		1	E,F,G,H,I,J,K,L,M,Q,R,S,T U,V,W,X,Y,AA
	D6526 or	UDZW6.2B-X	Z DIODE		1	E,F,G,H,I,J,K,L,M,Q,R,S,T U,V,W,X,Y,AA
	D6527	RKZ6.2B2KG-X	Z DIODE		1	E,F,G,H,I,J,K,L,M,Q,R,S,T U,V,W,X,Y,AA
	D6527 or	UDZW6.2B-X	Z DIODE		1	E,F,G,H,I,J,K,L,M,Q,R,S,T U,V,W,X,Y,AA
	D6528	RKZ6.2B2KG-X	Z DIODE		1	E,F,G,H,I,J,K,L,M,Q,R,S,T U,V,W,X,Y,AA
	D6528 or	UDZW6.2B-X	Z DIODE		1	E,F,G,H,I,J,K,L,M,Q,R,S,T U,V,W,X,Y,AA
	D6529	RKZ6.2B2KG-X	Z DIODE		1	E,F,G,H,I,J,K,L,M,Q,R,S,T U,V,W,X,Y,AA
	D6529 or	UDZW6.2B-X	Z DIODE		1	E,F,G,H,I,J,K,L,M,Q,R,S,T U,V,W,X,Y,AA
	C6001	NCB20JK-106X	C CAPACITOR	10uF 6.3V K	1	
	C6002	NCBA1CK-473W	C CAPACITOR	0.047uF 16V K	1	
	C6003	NCBA1CK-104W	C CAPACITOR	0.1uF 16V K	1	
	C6004	NDCA1HJ-5R0W	C CAPACITOR	5pF 50V J	1	
	C6005	NDCA1HJ-5R0W	C CAPACITOR	5pF 50V J	1	
	C6006	NCB31CK-105X	C CAPACITOR	1uF 16V K	1	
	C6007	NCBA1AK-104W	C CAPACITOR	0.1uF 10V K	1	
	C6008	NCBA1AK-104W	C CAPACITOR	0.1uF 10V K	1	
	C6009	NCBA1CK-473W	C CAPACITOR	0.047uF 16V K	1	
	C6101	NCBA1AK-104W	C CAPACITOR	0.1uF 10V K	1	

MODEL	MARK	MODEL	MARK	MODEL	MARK	MODEL	MARK
KW-ADV793J	A	KW-AVX730E	B	KW-AVX730EE	C	KW-AVX730J	D
KW-AVX735EU	E	KW-AVX735U	F	KW-AVX735UN	G	KW-AVX736A	H
KW-AVX736EU	I	KW-AVX736U	J	KW-AVX736UN	K	KW-AVX736UT	L
KW-AVX736UW	M	KW-AVX738JW	N	KW-AVX830E	O	KW-AVX830J	P
KW-AVX835EU	Q	KW-AVX835U	R	KW-AVX835UN	S	KW-AVX836A	T
KW-AVX836EU	U	KW-AVX836U	V	KW-AVX836UN	W	KW-AVX836UT	X
KW-AVX836UW	Y	KW-AVX838JW	Z	KW-AVX838UF	AA		

Safe	Symbol No.	Parts No.	Parts Name	Description	QTY	Local
	C6102	NCB31CK-105X	C CAPACITOR	1uF 16V K	1	
	C6103	NCB21AK-225X	C CAPACITOR	2.2uF 10V K	1	
	C6104	NCBA1CK-103W	C CAPACITOR	0.01uF 16V K	1	
	C6105	NCB31AK-474X	C CAPACITOR	0.47uF 10V K	1	
	C6106	NCBA1AK-104W	C CAPACITOR	0.1uF 10V K	1	
	C6107	NCBA1CK-473W	C CAPACITOR	0.047uF 16V K	1	
	C6108	NDCA1HJ-101W	C CAPACITOR	100pF 50V J	1	
	C6109	NDCA1HJ-101W	C CAPACITOR	100pF 50V J	1	
	C6110	NDCA1HJ-101W	C CAPACITOR	100pF 50V J	1	
	C6111	NDCA1HJ-101W	C CAPACITOR	100pF 50V J	1	
	C6112	NCBA1CK-473W	C CAPACITOR	0.047uF 16V K	1	
	C6113	NCBA1CK-473W	C CAPACITOR	0.047uF 16V K	1	
	C6114	NCJ11EK-106X-A	C CAPACITOR	10uF 25V K	1	
	C6115	NCJ11EK-106X-A	C CAPACITOR	10uF 25V K	1	
	C6116	NCJ11EK-106X-A	C CAPACITOR	10uF 25V K	1	
	C6117	NCJ11EK-106X-A	C CAPACITOR	10uF 25V K	1	
	C6118	NCJ21EK-225X-D	C CAPACITOR	2.2uF 25V K	1	
	C6119	NCBA1CK-473W	C CAPACITOR	0.047uF 16V K	1	
	C6120	NCB31HK-392X	C CAPACITOR	3900pF 50V K	1	
	C6121	NCB31HK-333X	C CAPACITOR	0.033uF 50V K	1	
	C6122	NCZ1011-220X	C CAPACITOR	22pF	1	
	C6123	NCBA1HK-221W	C CAPACITOR	220pF 50V K	1	
	C6204	NCBA1HK-102W	C CAPACITOR	1000pF 50V K	1	
	C6205	NCBA1HK-102W	C CAPACITOR	1000pF 50V K	1	
	C6206	NDCA1HJ-101W	C CAPACITOR	100pF 50V J	1	
	C6207	NDCA1HJ-101W	C CAPACITOR	100pF 50V J	1	
	C6208	NDCA1HJ-101W	C CAPACITOR	100pF 50V J	1	
	C6209	NDCA1HJ-101W	C CAPACITOR	100pF 50V J	1	
	C6306	NCB31HK-102X	C CAPACITOR	1000pF 50V K	1	
	C6307	NCJA0JK-105W-R	C CAPACITOR	0.1uF 10V K	1	
	R6001	NRSA6AJ-393W	MG RESISTOR	39kΩ 1/16W J	1	
	R6002	NRSA6AJ-393W	MG RESISTOR	39kΩ 1/16W J	1	
	R6003	NRSA6AJ-393W	MG RESISTOR	39kΩ 1/16W J	1	
	R6004	NRSA6AJ-393W	MG RESISTOR	39kΩ 1/16W J	1	
	R6005	NRSA6AJ-102W	MG RESISTOR	1kΩ 1/16W J	1	
	R6006	NRSA6AJ-474W	MG RESISTOR	470kΩ 1/16W J	1	
	R6007	NRSA6AJ-473W	MG RESISTOR	47kΩ 1/16W J	1	
	R6008	NRSA6AJ-473W	MG RESISTOR	47kΩ 1/16W J	1	
	R6009	NRSA6AJ-473W	MG RESISTOR	47kΩ 1/16W J	1	
	R6010	NRSA6AJ-104W	MG RESISTOR	100kΩ 1/16W J	1	
	R6011	NRSA6AJ-103W	MG RESISTOR	10kΩ 1/16W J	1	
	R6012	NRSA6AJ-473W	MG RESISTOR	47kΩ 1/16W J	1	
	R6013	NRSA6AJ-101W	MG RESISTOR	100Ω 1/16W J	1	
	R6014	NRSA6AJ-101W	MG RESISTOR	100Ω 1/16W J	1	
	R6015	NRSA6AJ-102W	MG RESISTOR	1kΩ 1/16W J	1	
	R6016	NRSA6AJ-102W	MG RESISTOR	1kΩ 1/16W J	1	
	R6101	NRSA6AJ-473W	MG RESISTOR	47kΩ 1/16W J	1	
	R6102	NRSA6AJ-562W	MG RESISTOR	5.6kΩ 1/16W J	1	
	R6103	NRSA6AJ-101W	MG RESISTOR	100Ω 1/16W J	1	
	R6104	NRSA6AJ-682W	MG RESISTOR	6.8kΩ 1/16W J	1	
	R6105	NRSA63J-515X	MG RESISTOR	5.1MΩ 1/16W J	1	
	R6106	NRSA6AJ-224W	MG RESISTOR	220kΩ 1/16W J	1	
	R6107	NRSA6AJ-333W	MG RESISTOR	33kΩ 1/16W J	1	
	R6108	NRSA6AJ-184W	MG RESISTOR	180kΩ 1/16W J	1	
	R6110	NRSA6AJ-470W	MG RESISTOR	47Ω 1/16W J	1	
	R6111	NRSA6AJ-104W	MG RESISTOR	100kΩ 1/16W J	1	
	R6112	NRSA6AJ-470W	MG RESISTOR	47Ω 1/16W J	1	
	R6113	NRSA6AJ-274W	MG RESISTOR	270kΩ 1/16W J	1	
	R6114	NRSA6AJ-823W	MG RESISTOR	82kΩ 1/16W J	1	
	R6115	NRSA6AJ-470W	MG RESISTOR	47Ω 1/16W J	1	
	R6116	NRSA6AJ-470W	MG RESISTOR	47Ω 1/16W J	1	
	R6117	NRSA6AJ-512W	MG RESISTOR	5.1kΩ 1/16W J	1	
	R6118	NRSA6AJ-512W	MG RESISTOR	5.1kΩ 1/16W J	1	
	R6119	NRSA6AJ-105W	MG RESISTOR	1MΩ 1/16W J	1	
	R6120	NRSA6AJ-391W	MG RESISTOR	390Ω 1/16W J	1	
	R6121	NRSA6AJ-513W	MG RESISTOR	51kΩ 1/16W J	1	
	R6201	NRSA6AJ-472W	MG RESISTOR	4.7kΩ 1/16W J	1	
	R6202	NRSA6AJ-272W	MG RESISTOR	2.7kΩ 1/16W J	1	
	R6203	NRSA6AJ-152W	MG RESISTOR	1.5kΩ 1/16W J	1	
	R6203	NRSA6AJ-122W	MG RESISTOR	1.2kΩ 1/16W J	1	A,B,C,D,E,F,G,H,I,J,K,L,M .N,P,Q,R,S,T,U,V,W,X,Y, Z,AA O
	R6204	NRSA6AJ-122W	MG RESISTOR	1.2kΩ 1/16W J	1	A,B,C,D,E,F,G,H,I,J,K,L,M .N,P,Q,R,S,T,U,V,W,X,Y, Z,AA O
	R6204	NRSA6AJ-102W	MG RESISTOR	1kΩ 1/16W J	1	A,B,C,D,E,F,G,H,I,J,K,L,M .N,P,Q,R,S,T,U,V,W,X,Y, Z,AA O
	R6205	NRSA6AJ-152W	MG RESISTOR	1.5kΩ 1/16W J	1	A,B,C,D,E,F,G,H,I,J,K,L,M .N,P,Q,R,S,T,U,V,W,X,Y, Z,AA O
	R6205	NRSA6AJ-122W	MG RESISTOR	1.2kΩ 1/16W J	1	A,B,C,D,E,F,G,H,I,J,K,L,M .N,P,Q,R,S,T,U,V,W,X,Y, Z,AA O

MODEL	MARK	MODEL	MARK	MODEL	MARK	MODEL	MARK
KW-ADV793J	A	KW-AVX730E	B	KW-AVX730EE	C	KW-AVX730J	D
KW-AVX735EU	E	KW-AVX735U	F	KW-AVX735UN	G	KW-AVX736A	H
KW-AVX736EU	I	KW-AVX736U	J	KW-AVX736UN	K	KW-AVX736UT	L
KW-AVX736UW	M	KW-AVX738JW	N	KW-AVX830E	O	KW-AVX830J	P
KW-AVX835EU	Q	KW-AVX835U	R	KW-AVX835UN	S	KW-AVX836A	T
KW-AVX836EU	U	KW-AVX836U	V	KW-AVX836UN	W	KW-AVX836UT	X
KW-AVX836UW	Y	KW-AVX838JW	Z	KW-AVX838UF	AA		

Safe	Symbol No.	Parts No.	Parts Name	Description	QTY	Local
	R6206	NRSA6AJ-472W	MG RESISTOR	4.7kΩ 1/16W J	1	A,B,C,D,E,F,G,H,I,J,K,L,M N,P,Q,R,S,T,U,V,W,X,Y, Z,AA O
	R6206	NRSA6AJ-392W	MG RESISTOR	3.9kΩ 1/16W J	1	
	R6207	NRSA6AJ-122W	MG RESISTOR	1.2kΩ 1/16W J	1	A,B,C,D,E,F,G,H,I,J,K,L,M N,P,Q,R,S,T,U,V,W,X,Y, Z,AA O
	R6207	NRSA6AJ-102W	MG RESISTOR	1kΩ 1/16W J	1	
	R6208	NRSA6AJ-222W	MG RESISTOR	2.2kΩ 1/16W J	1	A,D,N,O,P,Q,R,S,T,U,V,W X,Y,Z,AA
	R6209	NRSA6AJ-473W	MG RESISTOR	47kΩ 1/16W J	1	A,B,C,D,E,F,G,H,I,J,K,L,M N,P,Q,R,S,T,U,V,W,X,Y, Z,AA O
	R6209	NRSA6AJ-105W	MG RESISTOR	1MΩ 1/16W J	1	
	R6210	NRSA6AJ-152W	MG RESISTOR	1.5kΩ 1/16W J	1	A,D,N,O,P,Q,R,S,T,U,V,W X,Y,Z,AA
	R6211	NRSA6AJ-473W	MG RESISTOR	47kΩ 1/16W J	1	
	R6212	NRSA6AJ-822W	MG RESISTOR	8.2kΩ 1/16W J	1	
	R6213	NRSA6AJ-473W	MG RESISTOR	47kΩ 1/16W J	1	
	R6214	NRSA6AJ-822W	MG RESISTOR	8.2kΩ 1/16W J	1	
	R6215	NRSA6AJ-562W	MG RESISTOR	5.6kΩ 1/16W J	1	
	R6216	NRSA6AJ-562W	MG RESISTOR	5.6kΩ 1/16W J	1	
	R6217	NRSA6AJ-562W	MG RESISTOR	5.6kΩ 1/16W J	1	
	R6218	NRSA6AJ-391W	MG RESISTOR	390Ω 1/16W J	1	A,B,C,D,E,F,G,H,I,J,K,L,M N,P,Q,R,S,T,U,V,W,X,Y, Z,AA O
	R6218	NRSA6AJ-331W	MG RESISTOR	330Ω 1/16W J	1	
	R6219	NRSA6AJ-472W	MG RESISTOR	4.7kΩ 1/16W J	1	
	R6220	NRSA6AJ-332W	MG RESISTOR	3.3kΩ 1/16W J	1	
	R6221	NRSA6AJ-153W	MG RESISTOR	15kΩ 1/16W J	1	
	R6223	NRSA6AJ-122W	MG RESISTOR	1.2kΩ 1/16W J	1	
	R6224	NRSA6AJ-223W	MG RESISTOR	22kΩ 1/16W J	1	
	R6225	NRSA6AJ-332W	MG RESISTOR	3.3kΩ 1/16W J	1	
	R6226	NRSA6AJ-332W	MG RESISTOR	3.3kΩ 1/16W J	1	
	R6227	NRSA6AJ-223W	MG RESISTOR	22kΩ 1/16W J	1	
	R6228	NRSA6AJ-222W	MG RESISTOR	2.2kΩ 1/16W J	1	
	R6229	NRSA6AJ-332W	MG RESISTOR	3.3kΩ 1/16W J	1	
	R6230	NRSA6AJ-223W	MG RESISTOR	22kΩ 1/16W J	1	
	R6231	NRSA6AJ-222W	MG RESISTOR	2.2kΩ 1/16W J	1	
	R6232	NRSA6AJ-332W	MG RESISTOR	3.3kΩ 1/16W J	1	
	R6233	NRSA6AJ-223W	MG RESISTOR	22kΩ 1/16W J	1	
	R6234	NRSA63J-470X	MG RESISTOR	47Ω 1/16W J	1	
	R6235	NRSA63J-101X	MG RESISTOR	100Ω 1/16W J	1	
	R6240	NRSA6AJ-272W	MG RESISTOR	2.7kΩ 1/16W J	1	A,B,C,D,E,F,G,H,I,J,K,L,M N,P,Q,R,S,T,U,V,W,X,Y, Z,AA O
	R6240	NRSA6AJ-222W	MG RESISTOR	2.2kΩ 1/16W J	1	
	R6241	NRSA6AJ-472W	MG RESISTOR	4.7kΩ 1/16W J	1	
	R6242	NRSA6AJ-392W	MG RESISTOR	3.9kΩ 1/16W J	1	A,B,C,D,E,F,G,H,I,J,K,L,M N,P,Q,R,S,T,U,V,W,X,Y, Z,AA O
	R6242	NRSA6AJ-472W	MG RESISTOR	4.7kΩ 1/16W J	1	
	R6301	NRSA6AJ-473W	MG RESISTOR	47kΩ 1/16W J	1	
	R6302	NRSA63J-302X	MG RESISTOR	3kΩ 1/16W J	1	
	R6303	NRSA63J-272X	MG RESISTOR	2.7kΩ 1/16W J	1	
	R6304	NRSA63J-392X	MG RESISTOR	3.9kΩ 1/16W J	1	
	R6305	NRSA63J-302X	MG RESISTOR	3kΩ 1/16W J	1	
	R6306	NRSA63J-272X	MG RESISTOR	2.7kΩ 1/16W J	1	
	R6307	NRSA63J-392X	MG RESISTOR	3.9kΩ 1/16W J	1	
	R6501	NRSA02J-222X	MG RESISTOR	2.2kΩ 1/10W J	1	
	R6502	NRSA6AJ-474W	MG RESISTOR	470kΩ 1/16W J	1	
	R6503	NRSA6AJ-473W	MG RESISTOR	47kΩ 1/16W J	1	
	R6504	NRSA6AJ-0R0W	MG RESISTOR	0Ω 1/16W J	1	A,B,C,D,N,O,P,Z
	R6505	NRSA6AJ-0R0W	MG RESISTOR	0Ω 1/16W J	1	A,B,C,D,N,O,P,Z
	R6506	NRSA6AJ-0R0W	MG RESISTOR	0Ω 1/16W J	1	A,B,C,D,N,O,P,Z
	R6507	NRSA6AJ-0R0W	MG RESISTOR	0Ω 1/16W J	1	A,B,C,D,N,O,P,Z
	RA601	NRZ0114-102W	NET RESISTOR	1kΩ	1	
	L6001	NQL382M-220X	COIL	22uH M	1	
	L6101	NQL382M-220X	COIL	22uH M	1	
	L6102	NQL79GM-4R7X	COIL	4.7uH M	1	
△	T6101	NQR0636-001	C FL TRANSF		1	
	CN601	QGF0523F5-16W	CONNECTOR	FFC/FPC (1-16)	1	
	CN603	QGA8002F1-02X	CONNECTOR	W-B (1-2)	1	
	CN604	QGF0523F5-16W	CONNECTOR	FFC/FPC (1-16)	1	
	CN605	QGF1039F3-04X	CONNECTOR	FFC/FPC (1-4)	1	
	CN631	QGF0545F2-16X	CONNECTOR	FFC/FPC (1-16)	1	
	CN651	QGZ2204M1-24X	CONNECTOR	(1-24)	1	

MODEL	MARK	MODEL	MARK	MODEL	MARK	MODEL	MARK
KW-ADV793J	A	KW-AVX730E	B	KW-AVX730EE	C	KW-AVX730J	D
KW-AVX735EU	E	KW-AVX735U	F	KW-AVX735UN	G	KW-AVX736A	H
KW-AVX736EU	I	KW-AVX736U	J	KW-AVX736UN	K	KW-AVX736UT	L
KW-AVX736UW	M	KW-AVX738JW	N	KW-AVX830E	O	KW-AVX830J	P
KW-AVX835EU	Q	KW-AVX835U	R	KW-AVX835UN	S	KW-AVX836A	T
KW-AVX836EU	U	KW-AVX836U	V	KW-AVX836UN	W	KW-AVX836UT	X
KW-AVX836UW	Y	KW-AVX838JW	Z	KW-AVX838UF	AA		

Safe	Symbol No.	Parts No.	Parts Name	Description	QTY	Local
	CN652	QGZ2204M1-24X	CONNECTOR	(1-24)	1	
	CN653	QGF0534F5-28X	CONNECTOR	FFC/FPC (1-28)	1	
	CN654	QGF0534F5-16X	CONNECTOR	FFC/FPC (1-16)	1	
	S6301	NSW0331-001X	TACT SWITCH		1	
	S6302	NSW0331-001X	TACT SWITCH		1	
	S6303	NSW0331-001X	TACT SWITCH		1	
	S6304	NSW0331-001X	TACT SWITCH		1	
	S6305	NSW0331-001X	TACT SWITCH		1	
	S6306	NSW0331-001X	TACT SWITCH		1	
	S6307	NSW0331-001X	TACT SWITCH		1	
	S6308	NSW0331-001X	TACT SWITCH		1	
	S6309	NSW0331-001X	TACT SWITCH		1	
	S6501	NSW0225-001X	DETECT SWITCH		1	
	X6001	NAX0974-001X	CRYSTAL		1	
Sub board <04>						
	IC200	NJM4565E-X	IC		1	O,P,Q,R,S,T,U,V,W,X,Y,Z ,AA
	IC201	NJM2561F1-X	IC		1	
	IC211	NJM2535V-X	IC		1	
	IC221	NJM2505AF-X	IC		1	
	IC231	NJM2535V-X	IC		1	
	IC241	NJM2505AF-X	IC		1	A,D,N,O,P,Z
	IC351	CPI-210/BC-/X	PHOTO COUPLER		1	
	Q2111	IMX9-W	PAIR TRANSISTOR		1	O,P,Q,R,S,T,U,V,W,X,Y,Z ,AA
	Q3501	2SC1623A/5-6-/X	TRANSISTOR		1	
	D201	RKZ6.2B2KG-X	Z DIODE		1	
	D201	UDZW6.2B-X	Z DIODE		1	
	D202	RKZ6.2B2KG-X	Z DIODE		1	
	D202	UDZW6.2B-X	Z DIODE		1	
	D223	HSU119-X	SI DIODE		1	
	D224	HSU119-X	SI DIODE		1	
	D243	HSU119-X	SI DIODE		1	A,D,N,O,P,Z
	D244	HSU119-X	SI DIODE		1	A,D,N,O,P,Z
	D2111	MC2836-X	DIODE		1	O,P,Q,R,S,T,U,V,W,X,Y,Z ,AA
	C200	NCB20JK-106X	C CAPACITOR	10uF 6.3V K	1	
	C201	NCB31CK-104X	C CAPACITOR	0.1uF 16V K	1	
	C202	NEAF0GM-337X	E CAPACITOR	330uF 4V M	1	
	C203	NCB31CK-104X	C CAPACITOR	0.1uF 16V K	1	
	C211	NCB20JK-475X	C CAPACITOR	4.7uF 6.3V K	1	
	C212	NCB20JK-475X	C CAPACITOR	4.7uF 6.3V K	1	
	C214	NCB31CK-104X	C CAPACITOR	0.1uF 16V K	1	
	C221	NCB20JK-106X	C CAPACITOR	10uF 6.3V K	1	
	C222	NCB20JK-106X	C CAPACITOR	10uF 6.3V K	1	
	C223	NCB31HK-102X	C CAPACITOR	1000pF 50V K	1	
	C224	NCB31CK-104X	C CAPACITOR	0.1uF 16V K	1	
	C225	NDC31HJ-101X	C CAPACITOR	100pF 50V J	1	
	C231	NCB20JK-475X	C CAPACITOR	4.7uF 6.3V K	1	
	C232	NCB20JM-475X	C CAPACITOR	4.7uF 6.3V M	1	
	C233	NCB20JM-475X	C CAPACITOR	4.7uF 6.3V M	1	A,D,N,O,P,Z
	C234	NCB31CK-104X	C CAPACITOR	0.1uF 16V K	1	
	C241	NCB20JK-106X	C CAPACITOR	10uF 6.3V K	1	A,D,N,O,P,Z
	C242	NCB20JK-106X	C CAPACITOR	10uF 6.3V K	1	A,D,N,O,P,Z
	C243	NCB31HK-102X	C CAPACITOR	1000pF 50V K	1	A,D,N,O,P,Z
	C244	NCB31CK-104X	C CAPACITOR	0.1uF 16V K	1	A,D,N,O,P,Z
	C245	NDC31HJ-101X	C CAPACITOR	100pF 50V J	1	A,D,N,O,P,Z
	C265	NDC31HJ-101X	C CAPACITOR	100pF 50V J	1	E,F,G,H,I,J,K,L,M,Q,R,S,T ,U,V,W,X,Y,AA
	C275	NDC31HJ-101X	C CAPACITOR	100pF 50V J	1	E,F,G,H,I,J,K,L,M,Q,R,S,T ,U,V,W,X,Y,AA
	C285	NDC31HJ-101X	C CAPACITOR	100pF 50V J	1	E,F,G,H,I,J,K,L,M,Q,R,S,T ,U,V,W,X,Y,AA
	C295	NDC31HJ-101X	C CAPACITOR	100pF 50V J	1	E,F,G,H,I,J,K,L,M,Q,R,S,T ,U,V,W,X,Y,AA
	C2101	NCB20JK-475X	C CAPACITOR	4.7uF 6.3V K	1	O,P,Q,R,S,T,U,V,W,X,Y,Z ,AA
	C2102	NDC31HJ-821X	C CAPACITOR	820pF 50V J	1	O,P,Q,R,S,T,U,V,W,X,Y,Z ,AA
	C2103	NDC31HJ-331X	C CAPACITOR	330pF 50V J	1	O,P,Q,R,S,T,U,V,W,X,Y,Z ,AA
	C2104	NCB20JK-475X	C CAPACITOR	4.7uF 6.3V K	1	O,P,Q,R,S,T,U,V,W,X,Y,Z ,AA

MODEL	MARK	MODEL	MARK	MODEL	MARK	MODEL	MARK
KW-ADV793J	A	KW-AVX730E	B	KW-AVX730EE	C	KW-AVX730J	D
KW-AVX735EU	E	KW-AVX735U	F	KW-AVX735UN	G	KW-AVX736A	H
KW-AVX736EU	I	KW-AVX736U	J	KW-AVX736UN	K	KW-AVX736UT	L
KW-AVX736UW	M	KW-AVX738JW	N	KW-AVX830E	O	KW-AVX830J	P
KW-AVX835EU	Q	KW-AVX835U	R	KW-AVX835UN	S	KW-AVX836A	T
KW-AVX836EU	U	KW-AVX836U	V	KW-AVX836UN	W	KW-AVX836UT	X
KW-AVX836UW	Y	KW-AVX838JW	Z	KW-AVX838UF	AA		

Safe	Symbol No.	Parts No.	Parts Name	Description	QTY	Local
	C2111	NCB20JK-475X	C CAPACITOR	4.7uF 6.3V K	1	O,P,Q,R,S,T,U,V,W,X,Y,Z ,AA
	C2112	NDC31HJ-101X	C CAPACITOR	100pF 50V J	1	O,P,Q,R,S,T,U,V,W,X,Y,Z ,AA
	C2201	NCB20JK-475X	C CAPACITOR	4.7uF 6.3V K	1	O,P,Q,R,S,T,U,V,W,X,Y,Z ,AA
	C2202	NDC31HJ-821X	C CAPACITOR	820pF 50V J	1	O,P,Q,R,S,T,U,V,W,X,Y,Z ,AA
	C2203	NDC31HJ-331X	C CAPACITOR	330pF 50V J	1	O,P,Q,R,S,T,U,V,W,X,Y,Z ,AA
	C2204	NCB20JK-475X	C CAPACITOR	4.7uF 6.3V K	1	O,P,Q,R,S,T,U,V,W,X,Y,Z ,AA
	C2211	NCB20JK-475X	C CAPACITOR	4.7uF 6.3V K	1	O,P,Q,R,S,T,U,V,W,X,Y,Z ,AA
	C2212	NDC31HJ-101X	C CAPACITOR	100pF 50V J	1	O,P,Q,R,S,T,U,V,W,X,Y,Z ,AA
	C2301	NEAF1CM-476X	E CAPACITOR	47uF 16V M	1	O,P,Q,R,S,T,U,V,W,X,Y,Z ,AA
	C2302	NEAF1CM-476X	E CAPACITOR	47uF 16V M	1	O,P,Q,R,S,T,U,V,W,X,Y,Z ,AA
	R201	NRSA63J-750X	MG RESISTOR	75Ω 1/16W J	1	
	R213	NRSA63J-105X	MG RESISTOR	1MΩ 1/16W J	1	
	R214	NRSA63J-222X	MG RESISTOR	2.2kΩ 1/16W J	1	
	R215	NRSA63D-181X	MG RESISTOR	180Ω 1/16W D	1	
	R221	NRSA63J-471X	MG RESISTOR	470Ω 1/16W J	1	
	R222	NRSA63J-471X	MG RESISTOR	470Ω 1/16W J	1	
	R224	NRSA63J-390X	MG RESISTOR	39Ω 1/16W J	1	
	R225	NRSA63J-104X	MG RESISTOR	100kΩ 1/16W J	1	
	R226	NRSA63J-104X	MG RESISTOR	100kΩ 1/16W J	1	
	R233	NRSA63J-105X	MG RESISTOR	1MΩ 1/16W J	1	
	R241	NRSA63J-471X	MG RESISTOR	470Ω 1/16W J	1	B,C,E,F,G,H,I,J,K,L,M,Q, R,S,T,U,V,W,X,Y,AA
	R242	NRSA63J-471X	MG RESISTOR	470Ω 1/16W J	1	A,D,N,O,P,Z
	R244	NRSA63J-390X	MG RESISTOR	39Ω 1/16W J	1	A,D,N,O,P,Z
	R245	NRSA63J-104X	MG RESISTOR	100kΩ 1/16W J	1	A,D,N,O,P,Z
	R246	NRSA63J-104X	MG RESISTOR	100kΩ 1/16W J	1	A,D,N,O,P,Z
	R267	NRSA63J-0R0X	MG RESISTOR	0Ω 1/10W J	1	E,F,G,H,I,J,K,L,M,Q,R,S,T ,U,V,W,X,Y,AA
	R274	NRSA63J-0R0X	MG RESISTOR	0Ω 1/10W J	1	E,F,G,H,I,J,K,L,M,Q,R,S,T ,U,V,W,X,Y,AA
	R277	NRSA63J-0R0X	MG RESISTOR	0Ω 1/10W J	1	E,F,G,H,I,J,K,L,M,Q,R,S,T ,U,V,W,X,Y,AA
	R287	NRSA63J-0R0X	MG RESISTOR	0Ω 1/10W J	1	E,F,G,H,I,J,K,L,M,Q,R,S,T ,U,V,W,X,Y,AA
	R2101	NRSA63J-912X	MG RESISTOR	9.1kΩ 1/16W J	1	E,F,G,H,I,J,K,L,M,Q,R,S,T ,U,V,W,X,Y,AA
	R2103	NRSA63J-153X	MG RESISTOR	15kΩ 1/16W J	1	O,P,Q,R,S,T,U,V,W,X,Y,Z ,AA
	R2104	NRSA63J-912X	MG RESISTOR	9.1kΩ 1/16W J	1	O,P,Q,R,S,T,U,V,W,X,Y,Z ,AA
	R2105	NRSA63J-153X	MG RESISTOR	15kΩ 1/16W J	1	O,P,Q,R,S,T,U,V,W,X,Y,Z ,AA
	R2110	NRSA63J-102X	MG RESISTOR	1kΩ 1/16W J	1	O,P,Q,R,S,T,U,V,W,X,Y,Z ,AA
	R2111	NRSA63J-473X	MG RESISTOR	47kΩ 1/16W J	1	O,P,Q,R,S,T,U,V,W,X,Y,Z ,AA
	R2113	NRSA02J-221X	MG RESISTOR	220Ω 1/10W J	1	O,P,Q,R,S,T,U,V,W,X,Y,Z ,AA
	R2114	NRSA63J-222X	MG RESISTOR	2.2kΩ 1/16W J	1	O,P,Q,R,S,T,U,V,W,X,Y,Z ,AA
	R2201	NRSA63J-912X	MG RESISTOR	9.1kΩ 1/16W J	1	O,P,Q,R,S,T,U,V,W,X,Y,Z ,AA

MODEL	MARK	MODEL	MARK	MODEL	MARK	MODEL	MARK
KW-ADV793J	A	KW-AVX730E	B	KW-AVX730EE	C	KW-AVX730J	D
KW-AVX735EU	E	KW-AVX735U	F	KW-AVX735UN	G	KW-AVX736A	H
KW-AVX736EU	I	KW-AVX736U	J	KW-AVX736UN	K	KW-AVX736UT	L
KW-AVX736UW	M	KW-AVX738JW	N	KW-AVX830E	O	KW-AVX830J	P
KW-AVX835EU	Q	KW-AVX835U	R	KW-AVX835UN	S	KW-AVX836A	T
KW-AVX836EU	U	KW-AVX836U	V	KW-AVX836UN	W	KW-AVX836UT	X
KW-AVX836UW	Y	KW-AVX838JW	Z	KW-AVX838UF	AA		

Safe	Symbol No.	Parts No.	Parts Name	Description	QTY	Local
	R2203	NRSA63J-153X	MG RESISTOR	15kΩ 1/16W J	1	O,P,Q,R,S,T,U,V,W,X,Y,Z ,AA
	R2204	NRSA63J-912X	MG RESISTOR	9.1kΩ 1/16W J	1	O,P,Q,R,S,T,U,V,W,X,Y,Z ,AA
	R2205	NRSA63J-153X	MG RESISTOR	15kΩ 1/16W J	1	O,P,Q,R,S,T,U,V,W,X,Y,Z ,AA
	R2210	NRSA63J-102X	MG RESISTOR	1kΩ 1/16W J	1	O,P,Q,R,S,T,U,V,W,X,Y,Z ,AA
	R2211	NRSA63J-473X	MG RESISTOR	47kΩ 1/16W J	1	O,P,Q,R,S,T,U,V,W,X,Y,Z ,AA
	R2213	NRSA02J-221X	MG RESISTOR	220Ω 1/10W J	1	O,P,Q,R,S,T,U,V,W,X,Y,Z ,AA
	R2214	NRSA63J-222X	MG RESISTOR	2.2kΩ 1/16W J	1	O,P,Q,R,S,T,U,V,W,X,Y,Z ,AA
	R2301	NRSA63J-103X	MG RESISTOR	10kΩ 1/16W J	1	O,P,Q,R,S,T,U,V,W,X,Y,Z ,AA
	R2302	NRSA63J-103X	MG RESISTOR	10kΩ 1/16W J	1	O,P,Q,R,S,T,U,V,W,X,Y,Z ,AA
	R3501	NRSA63J-751X	MG RESISTOR	750Ω 1/16W J	1	
	R3503	NRSA63J-393X	MG RESISTOR	39kΩ 1/16W J	1	
	R3504	NRSA63J-333X	MG RESISTOR	33kΩ 1/16W J	1	
	R3505	NRSA63J-333X	MG RESISTOR	33kΩ 1/16W J	1	
	R3507	NRSA63J-682X	MG RESISTOR	6.8kΩ 1/16W J	1	
	R3508	NRSA63J-222X	MG RESISTOR	2.2kΩ 1/16W J	1	
	R3509	NRSA63J-102X	MG RESISTOR	1kΩ 1/16W J	1	
	R3510	NRSA63J-151X	MG RESISTOR	150Ω 1/16W J	1	
	RA221	NRZ0065-301X	NET RESISTOR	300Ω	1	
	RA241	NRZ0065-301X	NET RESISTOR	300Ω	1	A,D,N,O,P,Z
	RA261	NRZ0065-301X	NET RESISTOR	300Ω	1	E,F,G,H,I,J,K,L,M,Q,R,S,T ,U,V,W,X,Y,AA
	RA271	NRZ0065-301X	NET RESISTOR	300Ω	1	E,F,G,H,I,J,K,L,M,Q,R,S,T ,U,V,W,X,Y,AA
	RA281	NRZ0065-301X	NET RESISTOR	300Ω	1	E,F,G,H,I,J,K,L,M,Q,R,S,T ,U,V,W,X,Y,AA
	L200	NQL382M-220X	COIL	22uH M	1	
	CN201	QGF0522F5-14W	CONNECTOR	FFC/FPC (1-14)	1	
	CN202	QGF0522F5-09W	CONNECTOR	FFC/FPC (1-9)	1	E,F,G,H,I,J,K,L,M,Q,R,S,T ,U,V,W,X,Y,AA
	CN241	QGA2501C1-02	CONNECTOR	W-B (1-2)	1	A,D,N,O,P,Z
	CN351	QGA1002C1-06X	CONNECTOR	W-B (1-6)	1	
	CN352	QGA1002F1-02X	CONNECTOR	W-B (1-2)	1	
	J201	QNN0011-001	PIN JACK		1	
	J261	QND0160-001	DIN CONNECTOR		1	E,F,G,H,I,J,K,L,M,Q,R,S,T ,U,V,W,X,Y,AA
	J2000	QNS0301-002	3.5 JACK		1	O,P,Q,R,S,T,U,V,W,X,Y,Z ,AA
	P200	QZW0010-001	STYLE PIN		1	A,D,N,O,P,Q,R,S,T,U,V,W ,X,Y,Z,AA
	P201	QZW0010-001	STYLE PIN		1	O,P,Q,R,S,T,U,V,W,X,Y,Z ,AA
	S3501	NSW0225-001X	DETECT SWITCH		1	
	S3502	NSW0126-001X	DETECT SWITCH		1	
BT AMP board KW-AVX830,835,836,838<05>						
△	IC301	TCC8600	IC		1	O,P,Q,R,S,T,U,V,W,X,Y,Z ,AA
△	IC302	JVM481J	PROGRAMED IC		1	O,P,Q,R,S,T,U,V,W,X,Y,Z ,AA
△	IC303	M12L1281687TG2T	IC(DIGITAL)		1	O,P,Q,R,S,T,U,V,W,X,Y,Z ,AA
	IC311	R1EX24256ASAS-X	IC		1	O,P,Q,R,S,T,U,V,W,X,Y,Z ,AA
	IC331	PCM1780-X	IC		1	O,P,Q,R,S,T,U,V,W,X,Y,Z ,AA
	IC332	NJM4565E-X	IC		1	O,P,Q,R,S,T,U,V,W,X,Y,Z ,AA

MODEL	MARK	MODEL	MARK	MODEL	MARK	MODEL	MARK
KW-ADV793J	A	KW-AVX730E	B	KW-AVX730EE	C	KW-AVX730J	D
KW-AVX735EU	E	KW-AVX735U	F	KW-AVX735UN	G	KW-AVX736A	H
KW-AVX736EU	I	KW-AVX736U	J	KW-AVX736UN	K	KW-AVX736UT	L
KW-AVX736UW	M	KW-AVX738JW	N	KW-AVX830E	O	KW-AVX830J	P
KW-AVX835EU	Q	KW-AVX835U	R	KW-AVX835UN	S	KW-AVX836A	T
KW-AVX836EU	U	KW-AVX836U	V	KW-AVX836UN	W	KW-AVX836UT	X
KW-AVX836UW	Y	KW-AVX838JW	Z	KW-AVX838UF	AA		

Safe	Symbol No.	Parts No.	Parts Name	Description	QTY	Local
	IC341	NJM4565E-X	IC		1	O,P,Q,R,S,T,U,V,W,X,Y,Z ,AA
	IC371	NJM2878F4-18-X	IC		1	O,P,Q,R,S,T,U,V,W,X,Y,Z ,AA
	Q3001	2SB1424/QR-W	TRANSISTOR		1	O,P,Q,R,S,T,U,V,W,X,Y,Z ,AA
	Q3002	RT1N141C-X	DIGI TRANSISTOR		1	O,P,Q,R,S,T,U,V,W,X,Y,Z ,AA
	Q3002 or	DTC114EKA-X	DIGI TRANSISTOR		1	O,P,Q,R,S,T,U,V,W,X,Y,Z ,AA
	Q3311	2SC1623A/5-6/-X	TRANSISTOR		1	O,P,Q,R,S,T,U,V,W,X,Y,Z ,AA
	D3311	RKZ6.2B2KG-X	Z DIODE		1	O,P,Q,R,S,T,U,V,W,X,Y,Z ,AA
	D3311 or	UDZW6.2B-X	Z DIODE		1	O,P,Q,R,S,T,U,V,W,X,Y,Z ,AA
	D3312	HSU119-X	SI DIODE		1	O,P,Q,R,S,T,U,V,W,X,Y,Z ,AA
	C311	NCB20JK-106X	C CAPACITOR	10uF 6.3V K	1	O,P,Q,R,S,T,U,V,W,X,Y,Z ,AA
	C331	NCB20JK-106X	C CAPACITOR	10uF 6.3V K	1	O,P,Q,R,S,T,U,V,W,X,Y,Z ,AA
	C333	NCBA1AK-104W	C CAPACITOR	0.1uF 10V K	1	O,P,Q,R,S,T,U,V,W,X,Y,Z ,AA
	C335	NCBA1AK-104W	C CAPACITOR	0.1uF 10V K	1	O,P,Q,R,S,T,U,V,W,X,Y,Z ,AA
	C337	NCBA1AK-104W	C CAPACITOR	0.1uF 10V K	1	O,P,Q,R,S,T,U,V,W,X,Y,Z ,AA
	C339	NCB20JK-106X	C CAPACITOR	10uF 6.3V K	1	O,P,Q,R,S,T,U,V,W,X,Y,Z ,AA
	C341	NCBA1AK-104W	C CAPACITOR	0.1uF 10V K	1	O,P,Q,R,S,T,U,V,W,X,Y,Z ,AA
	C343	NCBA1AK-104W	C CAPACITOR	0.1uF 10V K	1	O,P,Q,R,S,T,U,V,W,X,Y,Z ,AA
	C371	NCBA1AK-104W	C CAPACITOR	0.1uF 10V K	1	O,P,Q,R,S,T,U,V,W,X,Y,Z ,AA
	C372	NCB21AK-225X	C CAPACITOR	2.2uF 10V K	1	O,P,Q,R,S,T,U,V,W,X,Y,Z ,AA
	C3001	NCB20JK-106X	C CAPACITOR	10uF 6.3V K	1	O,P,Q,R,S,T,U,V,W,X,Y,Z ,AA
△	C3100	NCBA1CK-103W	C CAPACITOR	0.01uF 16V K	1	O,P,Q,R,S,T,U,V,W,X,Y,Z ,AA
	C3102	NCBA1HK-821W	C CAPACITOR	820pF 50V K	1	O,P,Q,R,S,T,U,V,W,X,Y,Z ,AA
	C3103	NDCA1HJ-151W	C CAPACITOR	150pF 50V J	1	O,P,Q,R,S,T,U,V,W,X,Y,Z ,AA
	C3104	NCB31CK-105X	C CAPACITOR	1uF 16V K	1	O,P,Q,R,S,T,U,V,W,X,Y,Z ,AA
	C3142	NCB31CK-105X	C CAPACITOR	1uF 16V K	1	O,P,Q,R,S,T,U,V,W,X,Y,Z ,AA
	C3143	NDCA1HJ-471W	C CAPACITOR	470pF 50V J	1	O,P,Q,R,S,T,U,V,W,X,Y,Z ,AA
	C3145	NCBA1CK-123W	C CAPACITOR	0.012uF 16V K	1	O,P,Q,R,S,T,U,V,W,X,Y,Z ,AA
	C3146	NCBA1CK-123W	C CAPACITOR	0.012uF 16V K	1	O,P,Q,R,S,T,U,V,W,X,Y,Z ,AA
	C3147	NCB31CK-105X	C CAPACITOR	1uF 16V K	1	O,P,Q,R,S,T,U,V,W,X,Y,Z ,AA

MODEL	MARK	MODEL	MARK	MODEL	MARK	MODEL	MARK
KW-ADV793J	A	KW-AVX730E	B	KW-AVX730EE	C	KW-AVX730J	D
KW-AVX735EU	E	KW-AVX735U	F	KW-AVX735UN	G	KW-AVX736A	H
KW-AVX736EU	I	KW-AVX736U	J	KW-AVX736UN	K	KW-AVX736UT	L
KW-AVX736UW	M	KW-AVX738JW	N	KW-AVX830E	O	KW-AVX830J	P
KW-AVX835EU	Q	KW-AVX835U	R	KW-AVX835UN	S	KW-AVX836A	T
KW-AVX836EU	U	KW-AVX836U	V	KW-AVX836UN	W	KW-AVX836UT	X
KW-AVX836UW	Y	KW-AVX838JW	Z	KW-AVX838UF	AA		

Safe	Symbol No.	Parts No.	Parts Name	Description	QTY	Local
	C3151	NCB31CK-105X	C CAPACITOR	1uF 16V K	1	O,P,Q,R,S,T,U,V,W,X,Y,Z ,AA
	C3152	NCB31CK-105X	C CAPACITOR	1uF 16V K	1	O,P,Q,R,S,T,U,V,W,X,Y,Z ,AA
	C3202	NCBA1HK-821W	C CAPACITOR	820pF 50V K	1	O,P,Q,R,S,T,U,V,W,X,Y,Z ,AA
	C3203	NDCA1HJ-151W	C CAPACITOR	150pF 50V J	1	O,P,Q,R,S,T,U,V,W,X,Y,Z ,AA
	C3204	NCB31CK-105X	C CAPACITOR	1uF 16V K	1	O,P,Q,R,S,T,U,V,W,X,Y,Z ,AA
	C3241	NCBA1HK-102W	C CAPACITOR	1000pF 50V K	1	O,P,Q,R,S,T,U,V,W,X,Y,Z ,AA
	C3242	NCB31CK-105X	C CAPACITOR	1uF 16V K	1	O,P,Q,R,S,T,U,V,W,X,Y,Z ,AA
	C3243	NDCA1HJ-471W	C CAPACITOR	470pF 50V J	1	O,P,Q,R,S,T,U,V,W,X,Y,Z ,AA
	C3301	NEAF1CM-107X	E CAPACITOR	100uF 16V M	1	O,P,Q,R,S,T,U,V,W,X,Y,Z ,AA
	C3302	NCBA1AK-104W	C CAPACITOR	0.1uF 10V K	1	O,P,Q,R,S,T,U,V,W,X,Y,Z ,AA
	C3303	NEAF1CM-476X	E CAPACITOR	47uF 16V M	1	O,P,Q,R,S,T,U,V,W,X,Y,Z ,AA
	C3304	NCBA1CK-123W	C CAPACITOR	0.012uF 16V K	1	O,P,Q,R,S,T,U,V,W,X,Y,Z ,AA
	C3311	NEAF1CM-107X	E CAPACITOR	100uF 16V M	1	O,P,Q,R,S,T,U,V,W,X,Y,Z ,AA
	C3322	NCBA1CK-104W	C CAPACITOR	0.1uF 16V K	1	O,P,Q,R,S,T,U,V,W,X,Y,Z ,AA
	C3323	NEAF1CM-476X	E CAPACITOR	47uF 16V M	1	O,P,Q,R,S,T,U,V,W,X,Y,Z ,AA
	C3324	NCBA1HK-821W	C CAPACITOR	820pF 50V K	1	O,P,Q,R,S,T,U,V,W,X,Y,Z ,AA
	C3325	NDCA1HJ-151W	C CAPACITOR	150pF 50V J	1	O,P,Q,R,S,T,U,V,W,X,Y,Z ,AA
	C3326	NCB31CK-105X	C CAPACITOR	1uF 16V K	1	O,P,Q,R,S,T,U,V,W,X,Y,Z ,AA
	C3407	NCBA1AK-104W	C CAPACITOR	0.1uF 10V K	1	O,P,Q,R,S,T,U,V,W,X,Y,Z ,AA
	C3409	NCBA1AK-104W	C CAPACITOR	0.1uF 10V K	1	O,P,Q,R,S,T,U,V,W,X,Y,Z ,AA
	C3410	NCBA1AK-104W	C CAPACITOR	0.1uF 10V K	1	O,P,Q,R,S,T,U,V,W,X,Y,Z ,AA
	C3419	NCBA1AK-104W	C CAPACITOR	0.1uF 10V K	1	O,P,Q,R,S,T,U,V,W,X,Y,Z ,AA
	C3424	NCBA1AK-104W	C CAPACITOR	0.1uF 10V K	1	O,P,Q,R,S,T,U,V,W,X,Y,Z ,AA
	C3426	NCBA1AK-104W	C CAPACITOR	0.1uF 10V K	1	O,P,Q,R,S,T,U,V,W,X,Y,Z ,AA
	C3440	NCBA1AK-104W	C CAPACITOR	0.1uF 10V K	1	O,P,Q,R,S,T,U,V,W,X,Y,Z ,AA
	C3443	NCBA1AK-104W	C CAPACITOR	0.1uF 10V K	1	O,P,Q,R,S,T,U,V,W,X,Y,Z ,AA
	C3454	NDCA1HJ-270W	C CAPACITOR	27pF 50V J	1	O,P,Q,R,S,T,U,V,W,X,Y,Z ,AA
	C3455	NDCA1HJ-330W	C CAPACITOR	33pF 50V J	1	O,P,Q,R,S,T,U,V,W,X,Y,Z ,AA
	C3458	NCBA1AK-104W	C CAPACITOR	0.1uF 10V K	1	O,P,Q,R,S,T,U,V,W,X,Y,Z ,AA

MODEL	MARK	MODEL	MARK	MODEL	MARK	MODEL	MARK
KW-ADV793J	A	KW-AVX730E	B	KW-AVX730EE	C	KW-AVX730J	D
KW-AVX735EU	E	KW-AVX735U	F	KW-AVX735UN	G	KW-AVX736A	H
KW-AVX736EU	I	KW-AVX736U	J	KW-AVX736UN	K	KW-AVX736UT	L
KW-AVX736UW	M	KW-AVX738JW	N	KW-AVX830E	O	KW-AVX830J	P
KW-AVX835EU	Q	KW-AVX835U	R	KW-AVX835UN	S	KW-AVX836A	T
KW-AVX836EU	U	KW-AVX836U	V	KW-AVX836UN	W	KW-AVX836UT	X
KW-AVX836UW	Y	KW-AVX838JW	Z	KW-AVX838UF	AA		

Safe	Symbol No.	Parts No.	Parts Name	Description	QTY	Local
	C3465	NCBA1AK-104W	C CAPACITOR	0.1uF 10V K	1	O,P,Q,R,S,T,U,V,W,X,Y,Z ,AA
	C3468	NCBA1CK-103W	C CAPACITOR	0.01uF 16V K	1	O,P,Q,R,S,T,U,V,W,X,Y,Z ,AA
	C3469	NCBA1AK-104W	C CAPACITOR	0.1uF 10V K	1	O,P,Q,R,S,T,U,V,W,X,Y,Z ,AA
	C3472	NCBA1HK-122W	C CAPACITOR	1200pF 50V K	1	O,P,Q,R,S,T,U,V,W,X,Y,Z ,AA
	C3473	NCJA0JK-105W-R	C CAPACITOR	1uF 6.3V K	1	O,P,Q,R,S,T,U,V,W,X,Y,Z ,AA
	C3475	NDCA1HJ-331W	C CAPACITOR	330pF 50V J	1	O,P,Q,R,S,T,U,V,W,X,Y,Z ,AA
	C3477	NCB31AK-154X	C CAPACITOR	0.15uF 10V K	1	O,P,Q,R,S,T,U,V,W,X,Y,Z ,AA
	C3484	NCBA1AK-104W	C CAPACITOR	0.1uF 10V K	1	O,P,Q,R,S,T,U,V,W,X,Y,Z ,AA
	C3491	NCBA1AK-104W	C CAPACITOR	0.1uF 10V K	1	O,P,Q,R,S,T,U,V,W,X,Y,Z ,AA
	C3492	NCBA1CK-473W	C CAPACITOR	0.047uF 16V K	1	O,P,Q,R,S,T,U,V,W,X,Y,Z ,AA
	C3524	NCBA1AK-104W	C CAPACITOR	0.1uF 10V K	1	O,P,Q,R,S,T,U,V,W,X,Y,Z ,AA
	C3575	NDCA1HJ-220W	C CAPACITOR	22pF 50V J	1	O,P,Q,R,S,T,U,V,W,X,Y,Z ,AA
	R322	NRSA6AJ-472W	MG RESISTOR	4.7kΩ 1/16W J	1	O,P,Q,R,S,T,U,V,W,X,Y,Z ,AA
	R323	NRSA6AJ-473W	MG RESISTOR	47kΩ 1/16W J	1	O,P,Q,R,S,T,U,V,W,X,Y,Z ,AA
	R324	NRSA6AJ-472W	MG RESISTOR	4.7kΩ 1/16W J	1	O,P,Q,R,S,T,U,V,W,X,Y,Z ,AA
	R3001	NRSA6AJ-472W	MG RESISTOR	4.7kΩ 1/16W J	1	O,P,Q,R,S,T,U,V,W,X,Y,Z ,AA
	R3002	NRSA6AJ-471W	MG RESISTOR	470Ω 1/16W J	1	O,P,Q,R,S,T,U,V,W,X,Y,Z ,AA
	R3003	NRSA6AJ-103W	MG RESISTOR	10kΩ 1/16W J	1	O,P,Q,R,S,T,U,V,W,X,Y,Z ,AA
	R3004	NRSA6AJ-153W	MG RESISTOR	15kΩ 1/16W J	1	O,P,Q,R,S,T,U,V,W,X,Y,Z ,AA
	R3005	NRSA6AJ-153W	MG RESISTOR	15kΩ 1/16W J	1	O,P,Q,R,S,T,U,V,W,X,Y,Z ,AA
	R3101	NRSA6AJ-243W	MG RESISTOR	24kΩ 1/16W J	1	O,P,Q,R,S,T,U,V,W,X,Y,Z ,AA
	R3102	NRSA6AJ-273W	MG RESISTOR	27kΩ 1/16W J	1	O,P,Q,R,S,T,U,V,W,X,Y,Z ,AA
	R3103	NRSA6AJ-822W	MG RESISTOR	8.2kΩ 1/16W J	1	O,P,Q,R,S,T,U,V,W,X,Y,Z ,AA
	R3104	NRSA6AJ-152W	MG RESISTOR	1.5kΩ 1/16W J	1	O,P,Q,R,S,T,U,V,W,X,Y,Z ,AA
	R3142	NRSA6AJ-122W	MG RESISTOR	1.2kΩ 1/16W J	1	O,P,Q,R,S,T,U,V,W,X,Y,Z ,AA
	R3143	NRSA6AJ-124W	MG RESISTOR	120kΩ 1/16W J	1	O,P,Q,R,S,T,U,V,W,X,Y,Z ,AA
	R3144	NRSA6AJ-822W	MG RESISTOR	8.2kΩ 1/16W J	1	O,P,Q,R,S,T,U,V,W,X,Y,Z ,AA
	R3145	NRSA6AJ-333W	MG RESISTOR	33kΩ 1/16W J	1	O,P,Q,R,S,T,U,V,W,X,Y,Z ,AA
	R3146	NRSA6AJ-103W	MG RESISTOR	10kΩ 1/16W J	1	O,P,Q,R,S,T,U,V,W,X,Y,Z ,AA

MODEL	MARK	MODEL	MARK	MODEL	MARK	MODEL	MARK
KW-ADV793J	A	KW-AVX730E	B	KW-AVX730EE	C	KW-AVX730J	D
KW-AVX735EU	E	KW-AVX735U	F	KW-AVX735UN	G	KW-AVX736A	H
KW-AVX736EU	I	KW-AVX736U	J	KW-AVX736UN	K	KW-AVX736UT	L
KW-AVX736UW	M	KW-AVX738JW	N	KW-AVX830E	O	KW-AVX830J	P
KW-AVX835EU	Q	KW-AVX835U	R	KW-AVX835UN	S	KW-AVX836A	T
KW-AVX836EU	U	KW-AVX836U	V	KW-AVX836UN	W	KW-AVX836UT	X
KW-AVX836UW	Y	KW-AVX838JW	Z	KW-AVX838UF	AA		

Safe	Symbol No.	Parts No.	Parts Name	Description	QTY	Local
	R3151	NRSA6AJ-103W	MG RESISTOR	10kΩ 1/16W J	1	O,P,Q,R,S,T,U,V,W,X,Y,Z ,AA
	R3152	NRSA6AJ-103W	MG RESISTOR	10kΩ 1/16W J	1	O,P,Q,R,S,T,U,V,W,X,Y,Z ,AA
	R3201	NRSA6AJ-243W	MG RESISTOR	24kΩ 1/16W J	1	O,P,Q,R,S,T,U,V,W,X,Y,Z ,AA
	R3202	NRSA6AJ-273W	MG RESISTOR	27kΩ 1/16W J	1	O,P,Q,R,S,T,U,V,W,X,Y,Z ,AA
	R3203	NRSA6AJ-822W	MG RESISTOR	8.2kΩ 1/16W J	1	O,P,Q,R,S,T,U,V,W,X,Y,Z ,AA
	R3204	NRSA6AJ-152W	MG RESISTOR	1.5kΩ 1/16W J	1	O,P,Q,R,S,T,U,V,W,X,Y,Z ,AA
	R3241	NRSA6AJ-822W	MG RESISTOR	8.2kΩ 1/16W J	1	O,P,Q,R,S,T,U,V,W,X,Y,Z ,AA
	R3242	NRSA6AJ-122W	MG RESISTOR	1.2kΩ 1/16W J	1	O,P,Q,R,S,T,U,V,W,X,Y,Z ,AA
	R3243	NRSA6AJ-124W	MG RESISTOR	120kΩ 1/16W J	1	O,P,Q,R,S,T,U,V,W,X,Y,Z ,AA
	R3311	NRSA6AJ-122W	MG RESISTOR	1.2kΩ 1/16W J	1	O,P,Q,R,S,T,U,V,W,X,Y,Z ,AA
	R3312	NRSA6AJ-680W	MG RESISTOR	68Ω 1/16W J	1	O,P,Q,R,S,T,U,V,W,X,Y,Z ,AA
	R3313	NRSA6AJ-680W	MG RESISTOR	68Ω 1/16W J	1	O,P,Q,R,S,T,U,V,W,X,Y,Z ,AA
	R3321	NRSA6AJ-103W	MG RESISTOR	10kΩ 1/16W J	1	O,P,Q,R,S,T,U,V,W,X,Y,Z ,AA
	R3322	NRSA6AJ-103W	MG RESISTOR	10kΩ 1/16W J	1	O,P,Q,R,S,T,U,V,W,X,Y,Z ,AA
	R3323	NRSA6AJ-243W	MG RESISTOR	24kΩ 1/16W J	1	O,P,Q,R,S,T,U,V,W,X,Y,Z ,AA
	R3324	NRSA6AJ-273W	MG RESISTOR	27kΩ 1/16W J	1	O,P,Q,R,S,T,U,V,W,X,Y,Z ,AA
	R3325	NRSA6AJ-822W	MG RESISTOR	8.2kΩ 1/16W J	1	O,P,Q,R,S,T,U,V,W,X,Y,Z ,AA
	R3404	NRSA6AJ-102W	MG RESISTOR	1kΩ 1/16W J	1	O,P,Q,R,S,T,U,V,W,X,Y,Z ,AA
	R3415	NRSA6AJ-103W	MG RESISTOR	10kΩ 1/16W J	1	O,P,Q,R,S,T,U,V,W,X,Y,Z ,AA
	R3421	NRSA6AJ-101W	MG RESISTOR	100Ω 1/16W J	1	O,P,Q,R,S,T,U,V,W,X,Y,Z ,AA
	R3422	NRSA6AJ-101W	MG RESISTOR	100Ω 1/16W J	1	O,P,Q,R,S,T,U,V,W,X,Y,Z ,AA
	R3423	NRSA6AJ-101W	MG RESISTOR	100Ω 1/16W J	1	O,P,Q,R,S,T,U,V,W,X,Y,Z ,AA
	R3444	NRSA6AJ-470W	MG RESISTOR	47Ω 1/16W J	1	O,P,Q,R,S,T,U,V,W,X,Y,Z ,AA
	R3446	NRSA6AJ-470W	MG RESISTOR	47Ω 1/16W J	1	O,P,Q,R,S,T,U,V,W,X,Y,Z ,AA
	R3447	NRSA6AJ-470W	MG RESISTOR	47Ω 1/16W J	1	O,P,Q,R,S,T,U,V,W,X,Y,Z ,AA
	R3454	NRSA6AJ-151W	MG RESISTOR	150Ω 1/16W J	1	O,P,Q,R,S,T,U,V,W,X,Y,Z ,AA
	R3455	NRSA6AJ-105W	MG RESISTOR	1MΩ 1/16W J	1	O,P,Q,R,S,T,U,V,W,X,Y,Z ,AA
	R3463	NRSA6AJ-101W	MG RESISTOR	100Ω 1/16W J	1	O,P,Q,R,S,T,U,V,W,X,Y,Z ,AA
	R3468	NRSA6AJ-223W	MG RESISTOR	22kΩ 1/16W J	1	O,P,Q,R,S,T,U,V,W,X,Y,Z ,AA

MODEL	MARK	MODEL	MARK	MODEL	MARK	MODEL	MARK
KW-ADV793J	A	KW-AVX730E	B	KW-AVX730EE	C	KW-AVX730J	D
KW-AVX735EU	E	KW-AVX735U	F	KW-AVX735UN	G	KW-AVX736A	H
KW-AVX736EU	I	KW-AVX736U	J	KW-AVX736UN	K	KW-AVX736UT	L
KW-AVX736UW	M	KW-AVX738JW	N	KW-AVX830E	O	KW-AVX830J	P
KW-AVX835EU	Q	KW-AVX835U	R	KW-AVX835UN	S	KW-AVX836A	T
KW-AVX836EU	U	KW-AVX836U	V	KW-AVX836UN	W	KW-AVX836UT	X
KW-AVX836UW	Y	KW-AVX838JW	Z	KW-AVX838UF	AA		

Safe	Symbol No.	Parts No.	Parts Name	Description	QTY	Local
	R3469	NRSA6AJ-223W	MG RESISTOR	22kΩ 1/16W J	1	O,P,Q,R,S,T,U,V,W,X,Y,Z ,AA
	R3478	NRSA6AJ-472W	MG RESISTOR	4.7kΩ 1/16W J	1	O,P,Q,R,S,T,U,V,W,X,Y,Z ,AA
	R3479	NRSA6AJ-153W	MG RESISTOR	15kΩ 1/16W J	1	O,P,Q,R,S,T,U,V,W,X,Y,Z ,AA
	R3480	NRSA6AJ-153W	MG RESISTOR	15kΩ 1/16W J	1	O,P,Q,R,S,T,U,V,W,X,Y,Z ,AA
	R3482	NRSA6AJ-330W	MG RESISTOR	33Ω 1/16W J	1	O,P,Q,R,S,T,U,V,W,X,Y,Z ,AA
	R3483	NRSA6AJ-330W	MG RESISTOR	33Ω 1/16W J	1	O,P,Q,R,S,T,U,V,W,X,Y,Z ,AA
	R3491	NRSA6AJ-103W	MG RESISTOR	10kΩ 1/16W J	1	O,P,Q,R,S,T,U,V,W,X,Y,Z ,AA
	R3493	NRSA6AJ-271W	MG RESISTOR	270Ω 1/16W J	1	O,P,Q,R,S,T,U,V,W,X,Y,Z ,AA
	R3494	NRSA6AJ-271W	MG RESISTOR	270Ω 1/16W J	1	O,P,Q,R,S,T,U,V,W,X,Y,Z ,AA
	R3577	NRSA6AJ-472W	MG RESISTOR	4.7kΩ 1/16W J	1	O,P,Q,R,S,T,U,V,W,X,Y,Z ,AA
	R3586	NRSA6AJ-472W	MG RESISTOR	4.7kΩ 1/16W J	1	O,P,Q,R,S,T,U,V,W,X,Y,Z ,AA
	R3587	NRSA6AJ-472W	MG RESISTOR	4.7kΩ 1/16W J	1	O,P,Q,R,S,T,U,V,W,X,Y,Z ,AA
	R3589	NRSA6AJ-472W	MG RESISTOR	4.7kΩ 1/16W J	1	O,P,Q,R,S,T,U,V,W,X,Y,Z ,AA
	R3593	NRSA6AJ-472W	MG RESISTOR	4.7kΩ 1/16W J	1	O,P,Q,R,S,T,U,V,W,X,Y,Z ,AA
	R3594	NRSA6AJ-472W	MG RESISTOR	4.7kΩ 1/16W J	1	O,P,Q,R,S,T,U,V,W,X,Y,Z ,AA
	RA301	NRZ0114-680W	NET RESISTOR	68Ω	1	O,P,Q,R,S,T,U,V,W,X,Y,Z ,AA
	RA302	NRZ0114-680W	NET RESISTOR	68Ω	1	O,P,Q,R,S,T,U,V,W,X,Y,Z ,AA
	RA303	NRZ0114-680W	NET RESISTOR	68Ω	1	O,P,Q,R,S,T,U,V,W,X,Y,Z ,AA
	RA304	NRZ0114-680W	NET RESISTOR	68Ω	1	O,P,Q,R,S,T,U,V,W,X,Y,Z ,AA
	RA305	NRZ0114-470W	NET RESISTOR	47Ω	1	O,P,Q,R,S,T,U,V,W,X,Y,Z ,AA
	RA306	NRZ0065-472X	MG RESISTOR	4.7kΩ	1	O,P,Q,R,S,T,U,V,W,X,Y,Z ,AA
	L3001	NQR0536-001X	CHOKO COIL		1	O,P,Q,R,S,T,U,V,W,X,Y,Z ,AA
	L3301	NQL79GM-470X	COIL	47uH M	1	O,P,Q,R,S,T,U,V,W,X,Y,Z ,AA
	L3462	NQL093K-1R8X	P COIL	1.8uH K	1	O,P,Q,R,S,T,U,V,W,X,Y,Z ,AA
	L3473	NQL79GM-330X	COIL	33uH M	1	O,P,Q,R,S,T,U,V,W,X,Y,Z ,AA
	CN301	QNZ1037-001	USB CONNECTOR		1	O,P,Q,R,S,T,U,V,W,X,Y,Z ,AA
	CN311	QGF0522F5-12W	CONNECTOR	FFC/FPC (1-12)	1	O,P,Q,R,S,T,U,V,W,X,Y,Z ,AA
	CN341	QGA2001F6-02X	CONNECTOR	W-B (1-2)	1	O,P,Q,R,S,T,U,V,W,X,Y,Z ,AA
	X402	NAX0975-001X	CRYSTAL		1	O,P,Q,R,S,T,U,V,W,X,Y,Z ,AA

Front end board (FMU-XD6-11D) <06>

MODEL	MARK	MODEL	MARK	MODEL	MARK	MODEL	MARK
KW-ADV793J	A	KW-AVX730E	B	KW-AVX730EE	C	KW-AVX730J	D
KW-AVX735EU	E	KW-AVX735U	F	KW-AVX735UN	G	KW-AVX736A	H
KW-AVX736EU	I	KW-AVX736U	J	KW-AVX736UN	K	KW-AVX736UT	L
KW-AVX736UW	M	KW-AVX738JW	N	KW-AVX830E	O	KW-AVX830J	P
KW-AVX835EU	Q	KW-AVX835U	R	KW-AVX835UN	S	KW-AVX836A	T
KW-AVX836EU	U	KW-AVX836U	V	KW-AVX836UN	W	KW-AVX836UT	X
KW-AVX836UW	Y	KW-AVX838JW	Z	KW-AVX838UF	AA		

Safe	Symbol No.	Parts No.	Parts Name	Description	QTY	Local
	IC1	BD8215EFV-X	IC		1	A,B,C,D,E,F,G,H,I,J,K,L,M .N,O,P,Q,R,S,T,U,V,W,X, Y,Z,AA
	IC3	MM3233CF-X	IC		1	A,B,C,D,E,F,G,H,I,J,K,L,M .N,O,P,Q,R,S,T,U,V,W,X, Y,Z,AA
	IC7	TC7PA53FU-X	IC		1	A,B,C,D,E,F,G,H,I,J,K,L,M .N,O,P,Q,R,S,T,U,V,W,X, Y,Z,AA
	IC8	MFI341S2162-X	IC		1	A,B,C,D,E,F,G,H,I,J,K,L,M .N,O,P,Q,R,S,T,U,V,W,X, Y,Z,AA
	IC9	RT3CLLM/EF/-X	TRANSISTOR		1	A,B,C,D,E,F,G,H,I,J,K,L,M .N,O,P,Q,R,S,T,U,V,W,X, Y,Z,AA
	IC10	RT3K11M-X	MOS FET ARRAY		1	A,B,C,D,E,F,G,H,I,J,K,L,M .N,O,P,Q,R,S,T,U,V,W,X, Y,Z,AA
	IC301	MN2DS0018MA	IC		1	A,B,C,D,E,F,G,H,I,J,K,L,M .N,O,P,Q,R,S,T,U,V,W,X, Y,Z,AA
	IC302	MM1701CH-X	IC		1	A,B,C,D,E,F,G,H,I,J,K,L,M .N,O,P,Q,R,S,T,U,V,W,X, Y,Z,AA
	IC308	NJU6368PF1-X	IC		1	A,B,C,D,E,F,G,H,I,J,K,L,M .N,O,P,Q,R,S,T,U,V,W,X, Y,Z,AA
	IC398	JVM445C	PROGRAMED IC		1	A,B,C,D,E,F,G,H,I,J,K,L,M .N,O,P,Q,R,S,T,U,V,W,X, Y,Z,AA
	IC399	M12L1281687TG2T	IC(DIGITAL)		1	A,B,C,D,E,F,G,H,I,J,K,L,M .N,O,P,Q,R,S,T,U,V,W,X, Y,Z,AA
	IC399 or	HY57V281620FTH	IC(DIGITAL)		1	A,B,C,D,E,F,G,H,I,J,K,L,M .N,O,P,Q,R,S,T,U,V,W,X, Y,Z,AA
	IC400	AK4387ET-X	IC		1	A,B,C,D,E,F,G,H,I,J,K,L,M .N,O,P,Q,R,S,T,U,V,W,X, Y,Z,AA
	IC481	R1EX24032ATAA-X	IC		1	A,B,C,D,E,F,G,H,I,J,K,L,M .N,O,P,Q,R,S,T,U,V,W,X, Y,Z,AA
	IC501	TC74LCX373FT-X	IC(DIGITAL)		1	A,B,C,D,E,F,G,H,I,J,K,L,M .N,O,P,Q,R,S,T,U,V,W,X, Y,Z,AA
	IC502	TC74LCX373FT-X	IC(DIGITAL)		1	A,B,C,D,E,F,G,H,I,J,K,L,M .N,O,P,Q,R,S,T,U,V,W,X, Y,Z,AA
	Q2	RT1N141U-X	DIGI TRANSISTOR		1	A,B,C,D,E,F,G,H,I,J,K,L,M .N,O,P,Q,R,S,T,U,V,W,X, Y,Z,AA
	Q4	2SD601A/R/-X	TRANSISTOR		1	A,B,C,D,E,F,G,H,I,J,K,L,M .N,O,P,Q,R,S,T,U,V,W,X, Y,Z,AA
	Q4 or	2SC3928A/R/-X	TRANSISTOR		1	A,B,C,D,E,F,G,H,I,J,K,L,M .N,O,P,Q,R,S,T,U,V,W,X, Y,Z,AA
	Q7	2SD601A/R/-X	TRANSISTOR		1	A,B,C,D,E,F,G,H,I,J,K,L,M .N,O,P,Q,R,S,T,U,V,W,X, Y,Z,AA
	Q7 or	2SC3928A/R/-X	TRANSISTOR		1	A,B,C,D,E,F,G,H,I,J,K,L,M .N,O,P,Q,R,S,T,U,V,W,X, Y,Z,AA
	Q101	2SB1424/R/-W	TRANSISTOR		1	A,B,C,D,E,F,G,H,I,J,K,L,M .N,O,P,Q,R,S,T,U,V,W,X, Y,Z,AA

MODEL	MARK	MODEL	MARK	MODEL	MARK	MODEL	MARK
KW-ADV793J	A	KW-AVX730E	B	KW-AVX730EE	C	KW-AVX730J	D
KW-AVX735EU	E	KW-AVX735U	F	KW-AVX735UN	G	KW-AVX736A	H
KW-AVX736EU	I	KW-AVX736U	J	KW-AVX736UN	K	KW-AVX736UT	L
KW-AVX736UW	M	KW-AVX738JW	N	KW-AVX830E	O	KW-AVX830J	P
KW-AVX835EU	Q	KW-AVX835U	R	KW-AVX835UN	S	KW-AVX836A	T
KW-AVX836EU	U	KW-AVX836U	V	KW-AVX836UN	W	KW-AVX836UT	X
KW-AVX836UW	Y	KW-AVX838JW	Z	KW-AVX838UF	AA		

Safe	Symbol No.	Parts No.	Parts Name	Description	QTY	Local
	Q103	2SB1424/R/-W	TRANSISTOR		1	A,B,C,D,E,F,G,H,I,J,K,L,M .N,O,P,Q,R,S,T,U,V,W,X, Y,Z,AA
	Q105	2SC4617/R/-X	TRANSISTOR		1	A,B,C,D,E,F,G,H,I,J,K,L,M .N,O,P,Q,R,S,T,U,V,W,X, Y,Z,AA
	Q301	RT1N441U-X	DIGI TRANSISTOR		1	A,B,C,D,E,F,G,H,I,J,K,L,M .N,O,P,Q,R,S,T,U,V,W,X, Y,Z,AA
	Q302	RT1N441U-X	DIGI TRANSISTOR		1	A,B,C,D,E,F,G,H,I,J,K,L,M .N,O,P,Q,R,S,T,U,V,W,X, Y,Z,AA
	Q304	RT1N441U-X	DIGI TRANSISTOR		1	A,B,C,D,E,F,G,H,I,J,K,L,M .N,O,P,Q,R,S,T,U,V,W,X, Y,Z,AA
	D6	AN1102W-6-X	IR LED		1	A,B,C,D,E,F,G,H,I,J,K,L,M .N,O,P,Q,R,S,T,U,V,W,X, Y,Z,AA
	D7	AN1102W-6-X	IR LED		1	A,B,C,D,E,F,G,H,I,J,K,L,M .N,O,P,Q,R,S,T,U,V,W,X, Y,Z,AA
	D9	PS1192HB-22-X	PHOTO TRANSISTOR		1	A,B,C,D,E,F,G,H,I,J,K,L,M .N,O,P,Q,R,S,T,U,V,W,X, Y,Z,AA
	D11	PS1192HB-22-X	PHOTO TRANSISTOR		1	A,B,C,D,E,F,G,H,I,J,K,L,M .N,O,P,Q,R,S,T,U,V,W,X, Y,Z,AA
	C2	NCB31CK-104X	C CAPACITOR	0.1uF 16V	1	A,B,C,D,E,F,G,H,I,J,K,L,M .N,O,P,Q,R,S,T,U,V,W,X, Y,Z,AA
	C3	NCB31CK-104X	C CAPACITOR	0.1uF 16V	1	A,B,C,D,E,F,G,H,I,J,K,L,M .N,O,P,Q,R,S,T,U,V,W,X, Y,Z,AA
	C4	NCB31CK-104X	C CAPACITOR	0.1uF 16V	1	A,B,C,D,E,F,G,H,I,J,K,L,M .N,O,P,Q,R,S,T,U,V,W,X, Y,Z,AA
	C5	NCB31CK-104X	C CAPACITOR	0.1uF 16V	1	A,B,C,D,E,F,G,H,I,J,K,L,M .N,O,P,Q,R,S,T,U,V,W,X, Y,Z,AA
	C6	NCB31CK-104X	C CAPACITOR	0.1uF 16V	1	A,B,C,D,E,F,G,H,I,J,K,L,M .N,O,P,Q,R,S,T,U,V,W,X, Y,Z,AA
	C7	NCB31CK-104X	C CAPACITOR	0.1uF 16V	1	A,B,C,D,E,F,G,H,I,J,K,L,M .N,O,P,Q,R,S,T,U,V,W,X, Y,Z,AA
	C8	NCB31CK-104X	C CAPACITOR	0.1uF 16V	1	A,B,C,D,E,F,G,H,I,J,K,L,M .N,O,P,Q,R,S,T,U,V,W,X, Y,Z,AA
	C9	NCB31CK-104X	C CAPACITOR	0.1uF 16V	1	A,B,C,D,E,F,G,H,I,J,K,L,M .N,O,P,Q,R,S,T,U,V,W,X, Y,Z,AA
	C11	NCB31CK-104X	C CAPACITOR	0.1uF 16V	1	A,B,C,D,E,F,G,H,I,J,K,L,M .N,O,P,Q,R,S,T,U,V,W,X, Y,Z,AA
	C12	NCB31CK-104X	C CAPACITOR	0.1uF 16V	1	A,B,C,D,E,F,G,H,I,J,K,L,M .N,O,P,Q,R,S,T,U,V,W,X, Y,Z,AA
	C13	NCB31CK-104X	C CAPACITOR	0.1uF 16V	1	A,B,C,D,E,F,G,H,I,J,K,L,M .N,O,P,Q,R,S,T,U,V,W,X, Y,Z,AA
	C14	NCB31CK-104X	C CAPACITOR	0.1uF 16V	1	A,B,C,D,E,F,G,H,I,J,K,L,M .N,O,P,Q,R,S,T,U,V,W,X, Y,Z,AA
	C15	NCB31CK-104X	C CAPACITOR	0.1uF 16V	1	A,B,C,D,E,F,G,H,I,J,K,L,M .N,O,P,Q,R,S,T,U,V,W,X, Y,Z,AA

MODEL	MARK	MODEL	MARK	MODEL	MARK	MODEL	MARK
KW-ADV793J	A	KW-AVX730E	B	KW-AVX730EE	C	KW-AVX730J	D
KW-AVX735EU	E	KW-AVX735U	F	KW-AVX735UN	G	KW-AVX736A	H
KW-AVX736EU	I	KW-AVX736U	J	KW-AVX736UN	K	KW-AVX736UT	L
KW-AVX736UW	M	KW-AVX738JW	N	KW-AVX830E	O	KW-AVX830J	P
KW-AVX835EU	Q	KW-AVX835U	R	KW-AVX835UN	S	KW-AVX836A	T
KW-AVX836EU	U	KW-AVX836U	V	KW-AVX836UN	W	KW-AVX836UT	X
KW-AVX836UW	Y	KW-AVX838JW	Z	KW-AVX838UF	AA		

Safe	Symbol No.	Parts No.	Parts Name	Description	QTY	Local
	C16	NCB31CK-104X	C CAPACITOR	0.1uF 16V	1	A,B,C,D,E,F,G,H,I,J,K,L,M N,O,P,Q,R,S,T,U,V,W,X, Y,Z,AA
	C17	NCB31CK-104X	C CAPACITOR	0.1uF 16V	1	A,B,C,D,E,F,G,H,I,J,K,L,M N,O,P,Q,R,S,T,U,V,W,X, Y,Z,AA
	C18	NCB31CK-104X	C CAPACITOR	0.1uF 16V	1	A,B,C,D,E,F,G,H,I,J,K,L,M N,O,P,Q,R,S,T,U,V,W,X, Y,Z,AA
	C19	NCB31CK-104X	C CAPACITOR	0.1uF 16V	1	A,B,C,D,E,F,G,H,I,J,K,L,M N,O,P,Q,R,S,T,U,V,W,X, Y,Z,AA
	C20	NCB31CK-104X	C CAPACITOR	0.1uF 16V	1	A,B,C,D,E,F,G,H,I,J,K,L,M N,O,P,Q,R,S,T,U,V,W,X, Y,Z,AA
	C21	NBE41AM-226X	TA E CAPACITOR	22uF 10V M	1	A,B,C,D,E,F,G,H,I,J,K,L,M N,O,P,Q,R,S,T,U,V,W,X, Y,Z,AA
	C22	NBE41AM-476X	TA E CAPACITOR	47uF 10V M	1	A,B,C,D,E,F,G,H,I,J,K,L,M N,O,P,Q,R,S,T,U,V,W,X, Y,Z,AA
	C23	NBE41AM-476X	TA E CAPACITOR	47uF 10V M	1	A,B,C,D,E,F,G,H,I,J,K,L,M N,O,P,Q,R,S,T,U,V,W,X, Y,Z,AA
	C24	NCB31CK-104X	C CAPACITOR	0.1uF 16V	1	A,B,C,D,E,F,G,H,I,J,K,L,M N,O,P,Q,R,S,T,U,V,W,X, Y,Z,AA
	C25	NCB31CK-104X	C CAPACITOR	0.1uF 16V	1	A,B,C,D,E,F,G,H,I,J,K,L,M N,O,P,Q,R,S,T,U,V,W,X, Y,Z,AA
	C26	NCB31CK-104X	C CAPACITOR	0.1uF 16V	1	A,B,C,D,E,F,G,H,I,J,K,L,M N,O,P,Q,R,S,T,U,V,W,X, Y,Z,AA
	C31	NCB31HK-681X	C CAPACITOR	680pF 50V K	1	A,B,C,D,E,F,G,H,I,J,K,L,M N,O,P,Q,R,S,T,U,V,W,X, Y,Z,AA
	C32	NCB31HK-561X	C CAPACITOR	560pF 50V K	1	A,B,C,D,E,F,G,H,I,J,K,L,M N,O,P,Q,R,S,T,U,V,W,X, Y,Z,AA
	C48	NCB31CK-104X	C CAPACITOR	0.1uF 16V	1	A,B,C,D,E,F,G,H,I,J,K,L,M N,O,P,Q,R,S,T,U,V,W,X, Y,Z,AA
	C50	NCB31CK-104X	C CAPACITOR	0.1uF 16V	1	A,B,C,D,E,F,G,H,I,J,K,L,M N,O,P,Q,R,S,T,U,V,W,X, Y,Z,AA
	C51	NDC31HJ-4R0X	C CAPACITOR	4pF 50V J	1	A,B,C,D,E,F,G,H,I,J,K,L,M N,O,P,Q,R,S,T,U,V,W,X, Y,Z,AA
	C52	NDC31HJ-5R0X	C CAPACITOR	5pF 50V J	1	A,B,C,D,E,F,G,H,I,J,K,L,M N,O,P,Q,R,S,T,U,V,W,X, Y,Z,AA
	C60	NCB31HK-103X	C CAPACITOR	0.01uF 50V K	1	A,B,C,D,E,F,G,H,I,J,K,L,M N,O,P,Q,R,S,T,U,V,W,X, Y,Z,AA
	C63	NBE20JM-226X	TA E CAPACITOR	22uF 6.3V M	1	A,B,C,D,E,F,G,H,I,J,K,L,M N,O,P,Q,R,S,T,U,V,W,X, Y,Z,AA
	C65	NCB31CK-104X	C CAPACITOR	0.1uF 16V	1	A,B,C,D,E,F,G,H,I,J,K,L,M N,O,P,Q,R,S,T,U,V,W,X, Y,Z,AA
	C66	NCB31CK-104X	C CAPACITOR	0.1uF 16V	1	A,B,C,D,E,F,G,H,I,J,K,L,M N,O,P,Q,R,S,T,U,V,W,X, Y,Z,AA
	C67	NCB31HK-103X	C CAPACITOR	0.01uF 50V K	1	A,B,C,D,E,F,G,H,I,J,K,L,M N,O,P,Q,R,S,T,U,V,W,X, Y,Z,AA

MODEL	MARK	MODEL	MARK	MODEL	MARK	MODEL	MARK
KW-ADV793J	A	KW-AVX730E	B	KW-AVX730EE	C	KW-AVX730J	D
KW-AVX735EU	E	KW-AVX735U	F	KW-AVX735UN	G	KW-AVX736A	H
KW-AVX736EU	I	KW-AVX736U	J	KW-AVX736UN	K	KW-AVX736UT	L
KW-AVX736UW	M	KW-AVX738JW	N	KW-AVX830E	O	KW-AVX830J	P
KW-AVX835EU	Q	KW-AVX835U	R	KW-AVX835UN	S	KW-AVX836A	T
KW-AVX836EU	U	KW-AVX836U	V	KW-AVX836UN	W	KW-AVX836UT	X
KW-AVX836UW	Y	KW-AVX838JW	Z	KW-AVX838UF	AA		

Safe	Symbol No.	Parts No.	Parts Name	Description	QTY	Local
	C68	NCB31CK-104X	C CAPACITOR	0.1uF 16V	1	A,B,C,D,E,F,G,H,I,J,K,L,M N,O,P,Q,R,S,T,U,V,W,X, Y,Z,AA
	C69	NCB21CK-105X	C CAPACITOR	1uF 16V K	1	A,B,C,D,E,F,G,H,I,J,K,L,M N,O,P,Q,R,S,T,U,V,W,X, Y,Z,AA
	C70	NCB31CK-104X	C CAPACITOR	0.1uF 16V	1	A,B,C,D,E,F,G,H,I,J,K,L,M N,O,P,Q,R,S,T,U,V,W,X, Y,Z,AA
	C71	NCB31CK-104X	C CAPACITOR	0.1uF 16V	1	A,B,C,D,E,F,G,H,I,J,K,L,M N,O,P,Q,R,S,T,U,V,W,X, Y,Z,AA
	C72	NCB31CK-105X	C CAPACITOR	1uF 16V K	1	A,B,C,D,E,F,G,H,I,J,K,L,M N,O,P,Q,R,S,T,U,V,W,X, Y,Z,AA
	C73	NCB31CK-104X	C CAPACITOR	0.1uF 16V	1	A,B,C,D,E,F,G,H,I,J,K,L,M N,O,P,Q,R,S,T,U,V,W,X, Y,Z,AA
	C74	NCB31CK-104X	C CAPACITOR	0.1uF 16V	1	A,B,C,D,E,F,G,H,I,J,K,L,M N,O,P,Q,R,S,T,U,V,W,X, Y,Z,AA
	C75	NCB31CK-104X	C CAPACITOR	0.1uF 16V	1	A,B,C,D,E,F,G,H,I,J,K,L,M N,O,P,Q,R,S,T,U,V,W,X, Y,Z,AA
	C76	NCB31CK-104X	C CAPACITOR	0.1uF 16V	1	A,B,C,D,E,F,G,H,I,J,K,L,M N,O,P,Q,R,S,T,U,V,W,X, Y,Z,AA
	C77	NCB31CK-104X	C CAPACITOR	0.1uF 16V	1	A,B,C,D,E,F,G,H,I,J,K,L,M N,O,P,Q,R,S,T,U,V,W,X, Y,Z,AA
	C78	NCB31CK-104X	C CAPACITOR	0.1uF 16V	1	A,B,C,D,E,F,G,H,I,J,K,L,M N,O,P,Q,R,S,T,U,V,W,X, Y,Z,AA
	C79	NCB31CK-104X	C CAPACITOR	0.1uF 16V	1	A,B,C,D,E,F,G,H,I,J,K,L,M N,O,P,Q,R,S,T,U,V,W,X, Y,Z,AA
	C80	NCB21CK-105X	C CAPACITOR	1uF 16V K	1	A,B,C,D,E,F,G,H,I,J,K,L,M N,O,P,Q,R,S,T,U,V,W,X, Y,Z,AA
	C81	NDC31HJ-120X	C CAPACITOR	12pF 50V J	1	A,B,C,D,E,F,G,H,I,J,K,L,M N,O,P,Q,R,S,T,U,V,W,X, Y,Z,AA
	C82	NDC31HJ-120X	C CAPACITOR	12pF 50V J	1	A,B,C,D,E,F,G,H,I,J,K,L,M N,O,P,Q,R,S,T,U,V,W,X, Y,Z,AA
	C83	NCB31CK-104X	C CAPACITOR	0.1uF 16V	1	A,B,C,D,E,F,G,H,I,J,K,L,M N,O,P,Q,R,S,T,U,V,W,X, Y,Z,AA
	C84	NCB31CK-333X	C CAPACITOR	0.033uF 16V K	1	A,B,C,D,E,F,G,H,I,J,K,L,M N,O,P,Q,R,S,T,U,V,W,X, Y,Z,AA
	C85	NCB31CK-104X	C CAPACITOR	0.1uF 16V	1	A,B,C,D,E,F,G,H,I,J,K,L,M N,O,P,Q,R,S,T,U,V,W,X, Y,Z,AA
	C86	NCB31CK-104X	C CAPACITOR	0.1uF 16V	1	A,B,C,D,E,F,G,H,I,J,K,L,M N,O,P,Q,R,S,T,U,V,W,X, Y,Z,AA
	C87	NCB31CK-104X	C CAPACITOR	0.1uF 16V	1	A,B,C,D,E,F,G,H,I,J,K,L,M N,O,P,Q,R,S,T,U,V,W,X, Y,Z,AA
	C88	NCB31CK-104X	C CAPACITOR	0.1uF 16V	1	A,B,C,D,E,F,G,H,I,J,K,L,M N,O,P,Q,R,S,T,U,V,W,X, Y,Z,AA
	C89	NCB31HK-183X	C CAPACITOR	0.018uF 50V K	1	A,B,C,D,E,F,G,H,I,J,K,L,M N,O,P,Q,R,S,T,U,V,W,X, Y,Z,AA

MODEL	MARK	MODEL	MARK	MODEL	MARK	MODEL	MARK
KW-ADV793J	A	KW-AVX730E	B	KW-AVX730EE	C	KW-AVX730J	D
KW-AVX735EU	E	KW-AVX735U	F	KW-AVX735UN	G	KW-AVX736A	H
KW-AVX736EU	I	KW-AVX736U	J	KW-AVX736UN	K	KW-AVX736UT	L
KW-AVX736UW	M	KW-AVX738JW	N	KW-AVX830E	O	KW-AVX830J	P
KW-AVX835EU	Q	KW-AVX835U	R	KW-AVX835UN	S	KW-AVX836A	T
KW-AVX836EU	U	KW-AVX836U	V	KW-AVX836UN	W	KW-AVX836UT	X
KW-AVX836UW	Y	KW-AVX838JW	Z	KW-AVX838UF	AA		

Safe	Symbol No.	Parts No.	Parts Name	Description	QTY	Local
	C90	NCB31HK-562X	C CAPACITOR	5600pF 50V K	1	A,B,C,D,E,F,G,H,I,J,K,L,M N,O,P,Q,R,S,T,U,V,W,X, Y,Z,AA
	C91	NCB31CK-104X	C CAPACITOR	0.1uF 16V	1	A,B,C,D,E,F,G,H,I,J,K,L,M N,O,P,Q,R,S,T,U,V,W,X, Y,Z,AA
	C92	NCB21CK-105X	C CAPACITOR	1uF 16V K	1	A,B,C,D,E,F,G,H,I,J,K,L,M N,O,P,Q,R,S,T,U,V,W,X, Y,Z,AA
	C93	NCB21CK-105X	C CAPACITOR	1uF 16V K	1	A,B,C,D,E,F,G,H,I,J,K,L,M N,O,P,Q,R,S,T,U,V,W,X, Y,Z,AA
	C99	NCB31CK-104X	C CAPACITOR	0.1uF 16V	1	A,B,C,D,E,F,G,H,I,J,K,L,M N,O,P,Q,R,S,T,U,V,W,X, Y,Z,AA
	C100	NCB31CK-684X	C CAPACITOR	0.68uF 16V K	1	A,B,C,D,E,F,G,H,I,J,K,L,M N,O,P,Q,R,S,T,U,V,W,X, Y,Z,AA
	C101	NCB31CK-104X	C CAPACITOR	0.1uF 16V	1	A,B,C,D,E,F,G,H,I,J,K,L,M N,O,P,Q,R,S,T,U,V,W,X, Y,Z,AA
	C102	NCB31CK-684X	C CAPACITOR	0.68uF 16V K	1	A,B,C,D,E,F,G,H,I,J,K,L,M N,O,P,Q,R,S,T,U,V,W,X, Y,Z,AA
	C109	NCB21CK-105X	C CAPACITOR	1uF 16V K	1	A,B,C,D,E,F,G,H,I,J,K,L,M N,O,P,Q,R,S,T,U,V,W,X, Y,Z,AA
	C113	NCB21CK-105X	C CAPACITOR	1uF 16V K	1	A,B,C,D,E,F,G,H,I,J,K,L,M N,O,P,Q,R,S,T,U,V,W,X, Y,Z,AA
	C117	NCB21CK-105X	C CAPACITOR	1uF 16V K	1	A,B,C,D,E,F,G,H,I,J,K,L,M N,O,P,Q,R,S,T,U,V,W,X, Y,Z,AA
	C118	NCB31HK-103X	C CAPACITOR	0.01uF 50V K	1	A,B,C,D,E,F,G,H,I,J,K,L,M N,O,P,Q,R,S,T,U,V,W,X, Y,Z,AA
	C121	NCB31CK-104X	C CAPACITOR	0.1uF 16V	1	A,B,C,D,E,F,G,H,I,J,K,L,M N,O,P,Q,R,S,T,U,V,W,X, Y,Z,AA
	C122	NCB31CK-104X	C CAPACITOR	0.1uF 16V	1	A,B,C,D,E,F,G,H,I,J,K,L,M N,O,P,Q,R,S,T,U,V,W,X, Y,Z,AA
	C126	NCB31CK-104X	C CAPACITOR	0.1uF 16V	1	A,B,C,D,E,F,G,H,I,J,K,L,M N,O,P,Q,R,S,T,U,V,W,X, Y,Z,AA
	C127	NCB31CK-104X	C CAPACITOR	0.1uF 16V	1	A,B,C,D,E,F,G,H,I,J,K,L,M N,O,P,Q,R,S,T,U,V,W,X, Y,Z,AA
	C128	NCB31CK-104X	C CAPACITOR	0.1uF 16V	1	A,B,C,D,E,F,G,H,I,J,K,L,M N,O,P,Q,R,S,T,U,V,W,X, Y,Z,AA
	C129	NCB31CK-104X	C CAPACITOR	0.1uF 16V	1	A,B,C,D,E,F,G,H,I,J,K,L,M N,O,P,Q,R,S,T,U,V,W,X, Y,Z,AA
	C130	NCB31CK-104X	C CAPACITOR	0.1uF 16V	1	A,B,C,D,E,F,G,H,I,J,K,L,M N,O,P,Q,R,S,T,U,V,W,X, Y,Z,AA
	C131	NCB31CK-104X	C CAPACITOR	0.1uF 16V	1	A,B,C,D,E,F,G,H,I,J,K,L,M N,O,P,Q,R,S,T,U,V,W,X, Y,Z,AA
	C132	NCB31CK-104X	C CAPACITOR	0.1uF 16V	1	A,B,C,D,E,F,G,H,I,J,K,L,M N,O,P,Q,R,S,T,U,V,W,X, Y,Z,AA
	C133	NCB31CK-104X	C CAPACITOR	0.1uF 16V	1	A,B,C,D,E,F,G,H,I,J,K,L,M N,O,P,Q,R,S,T,U,V,W,X, Y,Z,AA

MODEL	MARK	MODEL	MARK	MODEL	MARK	MODEL	MARK
KW-ADV793J	A	KW-AVX730E	B	KW-AVX730EE	C	KW-AVX730J	D
KW-AVX735EU	E	KW-AVX735U	F	KW-AVX735UN	G	KW-AVX736A	H
KW-AVX736EU	I	KW-AVX736U	J	KW-AVX736UN	K	KW-AVX736UT	L
KW-AVX736UW	M	KW-AVX738JW	N	KW-AVX830E	O	KW-AVX830J	P
KW-AVX835EU	Q	KW-AVX835U	R	KW-AVX835UN	S	KW-AVX836A	T
KW-AVX836EU	U	KW-AVX836U	V	KW-AVX836UN	W	KW-AVX836UT	X
KW-AVX836UW	Y	KW-AVX838JW	Z	KW-AVX838UF	AA		

Safe	Symbol No.	Parts No.	Parts Name	Description	QTY	Local
	C134	NCB31CK-104X	C CAPACITOR	0.1uF 16V	1	A,B,C,D,E,F,G,H,I,J,K,L,M N,O,P,Q,R,S,T,U,V,W,X, Y,Z,AA
	C135	NCB31CK-104X	C CAPACITOR	0.1uF 16V	1	A,B,C,D,E,F,G,H,I,J,K,L,M N,O,P,Q,R,S,T,U,V,W,X, Y,Z,AA
	C136	NCB31CK-104X	C CAPACITOR	0.1uF 16V	1	A,B,C,D,E,F,G,H,I,J,K,L,M N,O,P,Q,R,S,T,U,V,W,X, Y,Z,AA
	C137	NBE20JM-226X	TA E CAPACITOR	22uF 6.3V M	1	A,B,C,D,E,F,G,H,I,J,K,L,M N,O,P,Q,R,S,T,U,V,W,X, Y,Z,AA
	C139	NBE20JM-226X	TA E CAPACITOR	22uF 6.3V M	1	A,B,C,D,E,F,G,H,I,J,K,L,M N,O,P,Q,R,S,T,U,V,W,X, Y,Z,AA
	C142	NCB31CK-104X	C CAPACITOR	0.1uF 16V	1	A,B,C,D,E,F,G,H,I,J,K,L,M N,O,P,Q,R,S,T,U,V,W,X, Y,Z,AA
	C143	NBE20JM-226X	TA E CAPACITOR	22uF 6.3V M	1	A,B,C,D,E,F,G,H,I,J,K,L,M N,O,P,Q,R,S,T,U,V,W,X, Y,Z,AA
	C145	NBE41AM-476X	TA E CAPACITOR	47uF 10V M	1	A,B,C,D,E,F,G,H,I,J,K,L,M N,O,P,Q,R,S,T,U,V,W,X, Y,Z,AA
	C148	NCB31HK-331X	C CAPACITOR	330pF 50V K	1	A,B,C,D,E,F,G,H,I,J,K,L,M N,O,P,Q,R,S,T,U,V,W,X, Y,Z,AA
	C149	NCB31CK-104X	C CAPACITOR	0.1uF 16V	1	A,B,C,D,E,F,G,H,I,J,K,L,M N,O,P,Q,R,S,T,U,V,W,X, Y,Z,AA
	C151	NCB31CK-473X	C CAPACITOR	0.047uF 16V K	1	A,B,C,D,E,F,G,H,I,J,K,L,M N,O,P,Q,R,S,T,U,V,W,X, Y,Z,AA
	C155	NDC31HJ-101X	C CAPACITOR	100pF 50V J	1	A,B,C,D,E,F,G,H,I,J,K,L,M N,O,P,Q,R,S,T,U,V,W,X, Y,Z,AA
	C156	NCB31CK-104X	C CAPACITOR	0.1uF 16V	1	A,B,C,D,E,F,G,H,I,J,K,L,M N,O,P,Q,R,S,T,U,V,W,X, Y,Z,AA
	C161	NCB31CK-104X	C CAPACITOR	0.1uF 16V	1	A,B,C,D,E,F,G,H,I,J,K,L,M N,O,P,Q,R,S,T,U,V,W,X, Y,Z,AA
	C162	NCB31CK-104X	C CAPACITOR	0.1uF 16V	1	A,B,C,D,E,F,G,H,I,J,K,L,M N,O,P,Q,R,S,T,U,V,W,X, Y,Z,AA
	C164	NCB21CK-105X	C CAPACITOR	1uF 16V K	1	A,B,C,D,E,F,G,H,I,J,K,L,M N,O,P,Q,R,S,T,U,V,W,X, Y,Z,AA
	C165	NCB31CK-104X	C CAPACITOR	0.1uF 16V	1	A,B,C,D,E,F,G,H,I,J,K,L,M N,O,P,Q,R,S,T,U,V,W,X, Y,Z,AA
	C167	NDC31HJ-272X	C CAPACITOR	2700pF 50V J	1	A,B,C,D,E,F,G,H,I,J,K,L,M N,O,P,Q,R,S,T,U,V,W,X, Y,Z,AA
	C170	NCB31CK-104X	C CAPACITOR	0.1uF 16V	1	A,B,C,D,E,F,G,H,I,J,K,L,M N,O,P,Q,R,S,T,U,V,W,X, Y,Z,AA
	C173	NCB31CK-104X	C CAPACITOR	0.1uF 16V	1	A,B,C,D,E,F,G,H,I,J,K,L,M N,O,P,Q,R,S,T,U,V,W,X, Y,Z,AA
	C174	NCB31CK-104X	C CAPACITOR	0.1uF 16V	1	A,B,C,D,E,F,G,H,I,J,K,L,M N,O,P,Q,R,S,T,U,V,W,X, Y,Z,AA
	C175	NBE51DM-476X	TA E CAPACITOR	47uF 20V M	1	A,B,C,D,E,F,G,H,I,J,K,L,M N,O,P,Q,R,S,T,U,V,W,X, Y,Z,AA

MODEL	MARK	MODEL	MARK	MODEL	MARK	MODEL	MARK
KW-ADV793J	A	KW-AVX730E	B	KW-AVX730EE	C	KW-AVX730J	D
KW-AVX735EU	E	KW-AVX735U	F	KW-AVX735UN	G	KW-AVX736A	H
KW-AVX736EU	I	KW-AVX736U	J	KW-AVX736UN	K	KW-AVX736UT	L
KW-AVX736UW	M	KW-AVX738JW	N	KW-AVX830E	O	KW-AVX830J	P
KW-AVX835EU	Q	KW-AVX835U	R	KW-AVX835UN	S	KW-AVX836A	T
KW-AVX836EU	U	KW-AVX836U	V	KW-AVX836UN	W	KW-AVX836UT	X
KW-AVX836UW	Y	KW-AVX838JW	Z	KW-AVX838UF	AA		

Safe	Symbol No.	Parts No.	Parts Name	Description	QTY	Local
	C176	NCB31CK-104X	C CAPACITOR	0.1uF 16V	1	A,B,C,D,E,F,G,H,I,J,K,L,M N,O,P,Q,R,S,T,U,V,W,X, Y,Z,AA
	C177	NCB31CK-104X	C CAPACITOR	0.1uF 16V	1	A,B,C,D,E,F,G,H,I,J,K,L,M N,O,P,Q,R,S,T,U,V,W,X, Y,Z,AA
	C178	NCB31CK-104X	C CAPACITOR	0.1uF 16V	1	A,B,C,D,E,F,G,H,I,J,K,L,M N,O,P,Q,R,S,T,U,V,W,X, Y,Z,AA
	C197	NCB31CK-104X	C CAPACITOR	0.1uF 16V	1	A,B,C,D,E,F,G,H,I,J,K,L,M N,O,P,Q,R,S,T,U,V,W,X, Y,Z,AA
	C199	NCB31CK-104X	C CAPACITOR	0.1uF 16V	1	A,B,C,D,E,F,G,H,I,J,K,L,M N,O,P,Q,R,S,T,U,V,W,X, Y,Z,AA
	C200	NBE40JM-476X	TA E CAPACITOR	47uF 6.3V M	1	A,B,C,D,E,F,G,H,I,J,K,L,M N,O,P,Q,R,S,T,U,V,W,X, Y,Z,AA
	C201	NCB31CK-104X	C CAPACITOR	0.1uF 16V	1	A,B,C,D,E,F,G,H,I,J,K,L,M N,O,P,Q,R,S,T,U,V,W,X, Y,Z,AA
	C205	NCB21AK-225X	C CAPACITOR	2.2uF 10V K	1	A,B,C,D,E,F,G,H,I,J,K,L,M N,O,P,Q,R,S,T,U,V,W,X, Y,Z,AA
	C206	NDC31HJ-222X	C CAPACITOR	2200pF 50V J	1	A,B,C,D,E,F,G,H,I,J,K,L,M N,O,P,Q,R,S,T,U,V,W,X, Y,Z,AA
	C211	NCB31CK-104X	C CAPACITOR	0.1uF 16V	1	A,B,C,D,E,F,G,H,I,J,K,L,M N,O,P,Q,R,S,T,U,V,W,X, Y,Z,AA
	C215	NDC31HJ-181X	C CAPACITOR	180pF 50V J	1	A,B,C,D,E,F,G,H,I,J,K,L,M N,O,P,Q,R,S,T,U,V,W,X, Y,Z,AA
	C216	NCB31CK-104X	C CAPACITOR	0.1uF 16V	1	A,B,C,D,E,F,G,H,I,J,K,L,M N,O,P,Q,R,S,T,U,V,W,X, Y,Z,AA
	C218	NCB31CK-104X	C CAPACITOR	0.1uF 16V	1	A,B,C,D,E,F,G,H,I,J,K,L,M N,O,P,Q,R,S,T,U,V,W,X, Y,Z,AA
	C219	NCB31CK-223X	C CAPACITOR	0.022uF 16V K	1	A,B,C,D,E,F,G,H,I,J,K,L,M N,O,P,Q,R,S,T,U,V,W,X, Y,Z,AA
	C220	NCB31HK-102X	C CAPACITOR	1000pF 50V K	1	A,B,C,D,E,F,G,H,I,J,K,L,M N,O,P,Q,R,S,T,U,V,W,X, Y,Z,AA
	C222	NCB31CK-104X	C CAPACITOR	0.1uF 16V	1	A,B,C,D,E,F,G,H,I,J,K,L,M N,O,P,Q,R,S,T,U,V,W,X, Y,Z,AA
	C223	NCB31HK-102X	C CAPACITOR	1000pF 50V K	1	A,B,C,D,E,F,G,H,I,J,K,L,M N,O,P,Q,R,S,T,U,V,W,X, Y,Z,AA
	C224	NCB21AK-225X	C CAPACITOR	2.2uF 10V K	1	A,B,C,D,E,F,G,H,I,J,K,L,M N,O,P,Q,R,S,T,U,V,W,X, Y,Z,AA
	C225	NBE51CM-476X	TA E CAPACITOR	47uF 16V M	1	A,B,C,D,E,F,G,H,I,J,K,L,M N,O,P,Q,R,S,T,U,V,W,X, Y,Z,AA
	C228	NCB31HK-102X	C CAPACITOR	1000pF 50V K	1	A,B,C,D,E,F,G,H,I,J,K,L,M N,O,P,Q,R,S,T,U,V,W,X, Y,Z,AA
	C229	NCB31CK-223X	C CAPACITOR	0.022uF 16V K	1	A,B,C,D,E,F,G,H,I,J,K,L,M N,O,P,Q,R,S,T,U,V,W,X, Y,Z,AA
	C232	NBE51DM-476X	TA E CAPACITOR	47uF 20V M	1	A,B,C,D,E,F,G,H,I,J,K,L,M N,O,P,Q,R,S,T,U,V,W,X, Y,Z,AA

MODEL	MARK	MODEL	MARK	MODEL	MARK	MODEL	MARK
KW-ADV793J	A	KW-AVX730E	B	KW-AVX730EE	C	KW-AVX730J	D
KW-AVX735EU	E	KW-AVX735U	F	KW-AVX735UN	G	KW-AVX736A	H
KW-AVX736EU	I	KW-AVX736U	J	KW-AVX736UN	K	KW-AVX736UT	L
KW-AVX736UW	M	KW-AVX738JW	N	KW-AVX830E	O	KW-AVX830J	P
KW-AVX835EU	Q	KW-AVX835U	R	KW-AVX835UN	S	KW-AVX836A	T
KW-AVX836EU	U	KW-AVX836U	V	KW-AVX836UN	W	KW-AVX836UT	X
KW-AVX836UW	Y	KW-AVX838JW	Z	KW-AVX838UF	AA		

Safe	Symbol No.	Parts No.	Parts Name	Description	QTY	Local
	C233	NCB21CK-105X	C CAPACITOR	1uF 16V K	1	A,B,C,D,E,F,G,H,I,J,K,L,M N,O,P,Q,R,S,T,U,V,W,X, Y,Z,AA
	C235	NCB31HK-102X	C CAPACITOR	1000pF 50V K	1	A,B,C,D,E,F,G,H,I,J,K,L,M N,O,P,Q,R,S,T,U,V,W,X, Y,Z,AA
	C237	NDC31HJ-221X	C CAPACITOR	220pF 50V J	1	A,B,C,D,E,F,G,H,I,J,K,L,M N,O,P,Q,R,S,T,U,V,W,X, Y,Z,AA
	C238	NCB31CK-104X	C CAPACITOR	0.1uF 16V	1	A,B,C,D,E,F,G,H,I,J,K,L,M N,O,P,Q,R,S,T,U,V,W,X, Y,Z,AA
	C240	NCB31CK-104X	C CAPACITOR	0.1uF 16V	1	A,B,C,D,E,F,G,H,I,J,K,L,M N,O,P,Q,R,S,T,U,V,W,X, Y,Z,AA
	C241	NCB31CK-104X	C CAPACITOR	0.1uF 16V	1	A,B,C,D,E,F,G,H,I,J,K,L,M N,O,P,Q,R,S,T,U,V,W,X, Y,Z,AA
	R20	NRSA02J-0R0X	MG RESISTOR	0Ω 1/10W J	1	A,B,C,D,E,F,G,H,I,J,K,L,M N,O,P,Q,R,S,T,U,V,W,X, Y,Z,AA
	R36	NRSA6AD-153W	MG RESISTOR	15kΩ 1/16W D	1	A,B,C,D,E,F,G,H,I,J,K,L,M N,O,P,Q,R,S,T,U,V,W,X, Y,Z,AA
	R37	NRSA6AD-153W	MG RESISTOR	15kΩ 1/16W D	1	A,B,C,D,E,F,G,H,I,J,K,L,M N,O,P,Q,R,S,T,U,V,W,X, Y,Z,AA
	R46	NRSA6AD-103W	MG RESISTOR	10kΩ 1/16W D	1	A,B,C,D,E,F,G,H,I,J,K,L,M N,O,P,Q,R,S,T,U,V,W,X, Y,Z,AA
	R47	NRSA6AD-103W	MG RESISTOR	10kΩ 1/16W D	1	A,B,C,D,E,F,G,H,I,J,K,L,M N,O,P,Q,R,S,T,U,V,W,X, Y,Z,AA
	R49	NRSA63J-0R0X	MG RESISTOR	0Ω 1/10W J	1	A,B,C,D,E,F,G,H,I,J,K,L,M N,O,P,Q,R,S,T,U,V,W,X, Y,Z,AA
	R51	NRSA63J-0R0X	MG RESISTOR	0Ω 1/10W J	1	A,B,C,D,E,F,G,H,I,J,K,L,M N,O,P,Q,R,S,T,U,V,W,X, Y,Z,AA
	R52	NRSA6AD-103W	MG RESISTOR	10kΩ 1/16W D	1	A,B,C,D,E,F,G,H,I,J,K,L,M N,O,P,Q,R,S,T,U,V,W,X, Y,Z,AA
	R53	NRSA6AD-103W	MG RESISTOR	10kΩ 1/16W D	1	A,B,C,D,E,F,G,H,I,J,K,L,M N,O,P,Q,R,S,T,U,V,W,X, Y,Z,AA
	R54	NRSA6AD-910W	MG RESISTOR	91Ω 1/16W D	1	A,B,C,D,E,F,G,H,I,J,K,L,M N,O,P,Q,R,S,T,U,V,W,X, Y,Z,AA
	R55	NRSA6AD-910W	MG RESISTOR	91Ω 1/16W D	1	A,B,C,D,E,F,G,H,I,J,K,L,M N,O,P,Q,R,S,T,U,V,W,X, Y,Z,AA
	R56	NRSA6AD-432W	MG RESISTOR	4.3kΩ 1/16W D	1	A,B,C,D,E,F,G,H,I,J,K,L,M N,O,P,Q,R,S,T,U,V,W,X, Y,Z,AA
	R57	NRSA6AD-242W	MG RESISTOR	2.4kΩ 1/16W D	1	A,B,C,D,E,F,G,H,I,J,K,L,M N,O,P,Q,R,S,T,U,V,W,X, Y,Z,AA
	R58	NRZ0122-390X	MG RESISTOR	39Ω	1	A,B,C,D,E,F,G,H,I,J,K,L,M N,O,P,Q,R,S,T,U,V,W,X, Y,Z,AA
	R59	NRSA63J-2R2X	MG RESISTOR	2.2Ω 1/16W J	1	A,B,C,D,E,F,G,H,I,J,K,L,M N,O,P,Q,R,S,T,U,V,W,X, Y,Z,AA
	R60	NRSA6AD-102W	MG RESISTOR	1kΩ 1/16W D	1	A,B,C,D,E,F,G,H,I,J,K,L,M N,O,P,Q,R,S,T,U,V,W,X, Y,Z,AA

MODEL	MARK	MODEL	MARK	MODEL	MARK	MODEL	MARK
KW-ADV793J	A	KW-AVX730E	B	KW-AVX730EE	C	KW-AVX730J	D
KW-AVX735EU	E	KW-AVX735U	F	KW-AVX735UN	G	KW-AVX736A	H
KW-AVX736EU	I	KW-AVX736U	J	KW-AVX736UN	K	KW-AVX736UT	L
KW-AVX736UW	M	KW-AVX738JW	N	KW-AVX830E	O	KW-AVX830J	P
KW-AVX835EU	Q	KW-AVX835U	R	KW-AVX835UN	S	KW-AVX836A	T
KW-AVX836EU	U	KW-AVX836U	V	KW-AVX836UN	W	KW-AVX836UT	X
KW-AVX836UW	Y	KW-AVX838JW	Z	KW-AVX838UF	AA		

Safe	Symbol No.	Parts No.	Parts Name	Description	QTY	Local
	R61	NRSA6AD-471W	MG RESISTOR	470Ω 1/16W D	1	A,B,C,D,E,F,G,H,I,J,K,L,M N,O,P,Q,R,S,T,U,V,W,X, Y,Z,AA
	R62	NRSA6AD-471W	MG RESISTOR	470Ω 1/16W D	1	A,B,C,D,E,F,G,H,I,J,K,L,M N,O,P,Q,R,S,T,U,V,W,X, Y,Z,AA
	R64	NRSA63D-432X	MG RESISTOR	4.3kΩ 1/16W D	1	A,B,C,D,E,F,G,H,I,J,K,L,M N,O,P,Q,R,S,T,U,V,W,X, Y,Z,AA
	R65	NRSA63D-242X	MG RESISTOR	2.4kΩ 1/16W D	1	A,B,C,D,E,F,G,H,I,J,K,L,M N,O,P,Q,R,S,T,U,V,W,X, Y,Z,AA
	R66	NRZ0122-120X	MG RESISTOR	12Ω	1	A,B,C,D,E,F,G,H,I,J,K,L,M N,O,P,Q,R,S,T,U,V,W,X, Y,Z,AA
	R67	NRSA63J-2R2X	MG RESISTOR	2.2Ω 1/16W J	1	A,B,C,D,E,F,G,H,I,J,K,L,M N,O,P,Q,R,S,T,U,V,W,X, Y,Z,AA
	R68	NRSA6AD-102W	MG RESISTOR	1kΩ 1/16W D	1	A,B,C,D,E,F,G,H,I,J,K,L,M N,O,P,Q,R,S,T,U,V,W,X, Y,Z,AA
	R69	NRSA63J-471X	MG RESISTOR	470Ω 1/16W J	1	A,B,C,D,E,F,G,H,I,J,K,L,M N,O,P,Q,R,S,T,U,V,W,X, Y,Z,AA
	R70	NRSA6AD-331W	MG RESISTOR	330Ω 1/16W D	1	A,B,C,D,E,F,G,H,I,J,K,L,M N,O,P,Q,R,S,T,U,V,W,X, Y,Z,AA
	R79	NRSA6AD-104W	MG RESISTOR	100kΩ 1/16W D	1	A,B,C,D,E,F,G,H,I,J,K,L,M N,O,P,Q,R,S,T,U,V,W,X, Y,Z,AA
	R83	NRSA6AD-103W	MG RESISTOR	10kΩ 1/16W D	1	A,B,C,D,E,F,G,H,I,J,K,L,M N,O,P,Q,R,S,T,U,V,W,X, Y,Z,AA
	R87	NRSA63J-103X	MG RESISTOR	10kΩ 1/16W J	1	A,B,C,D,E,F,G,H,I,J,K,L,M N,O,P,Q,R,S,T,U,V,W,X, Y,Z,AA
	R89	NRSA63J-103X	MG RESISTOR	10kΩ 1/16W J	1	A,B,C,D,E,F,G,H,I,J,K,L,M N,O,P,Q,R,S,T,U,V,W,X, Y,Z,AA
	R90	NRSA6AD-103W	MG RESISTOR	10kΩ 1/16W D	1	A,B,C,D,E,F,G,H,I,J,K,L,M N,O,P,Q,R,S,T,U,V,W,X, Y,Z,AA
	R92	NRSA63J-473X	MG RESISTOR	47kΩ 1/16W J	1	A,B,C,D,E,F,G,H,I,J,K,L,M N,O,P,Q,R,S,T,U,V,W,X, Y,Z,AA
	R93	NRSA6AD-203W	MG RESISTOR	20kΩ 1/16W D	1	A,B,C,D,E,F,G,H,I,J,K,L,M N,O,P,Q,R,S,T,U,V,W,X, Y,Z,AA
	R94	NRSA6AD-223W	MG RESISTOR	22kΩ 1/16W D	1	A,B,C,D,E,F,G,H,I,J,K,L,M N,O,P,Q,R,S,T,U,V,W,X, Y,Z,AA
	R99	NRSA63J-0R0X	MG RESISTOR	0Ω 1/10W J	1	A,B,C,D,E,F,G,H,I,J,K,L,M N,O,P,Q,R,S,T,U,V,W,X, Y,Z,AA
	R100	NRSA6AD-103W	MG RESISTOR	10kΩ 1/16W D	1	A,B,C,D,E,F,G,H,I,J,K,L,M N,O,P,Q,R,S,T,U,V,W,X, Y,Z,AA
	R105	NRSA63J-0R0X	MG RESISTOR	0Ω 1/10W J	1	A,B,C,D,E,F,G,H,I,J,K,L,M N,O,P,Q,R,S,T,U,V,W,X, Y,Z,AA
	R106	NRSA63J-103X	MG RESISTOR	10kΩ 1/16W J	1	A,B,C,D,E,F,G,H,I,J,K,L,M N,O,P,Q,R,S,T,U,V,W,X, Y,Z,AA
	R107	NRSA63J-152X	MG RESISTOR	1.5kΩ 1/16W J	1	A,B,C,D,E,F,G,H,I,J,K,L,M N,O,P,Q,R,S,T,U,V,W,X, Y,Z,AA

MODEL	MARK	MODEL	MARK	MODEL	MARK	MODEL	MARK
KW-ADV793J	A	KW-AVX730E	B	KW-AVX730EE	C	KW-AVX730J	D
KW-AVX735EU	E	KW-AVX735U	F	KW-AVX735UN	G	KW-AVX736A	H
KW-AVX736EU	I	KW-AVX736U	J	KW-AVX736UN	K	KW-AVX736UT	L
KW-AVX736UW	M	KW-AVX738JW	N	KW-AVX830E	O	KW-AVX830J	P
KW-AVX835EU	Q	KW-AVX835U	R	KW-AVX835UN	S	KW-AVX836A	T
KW-AVX836EU	U	KW-AVX836U	V	KW-AVX836UN	W	KW-AVX836UT	X
KW-AVX836UW	Y	KW-AVX838JW	Z	KW-AVX838UF	AA		

Safe	Symbol No.	Parts No.	Parts Name	Description	QTY	Local
	R112	NRSA63J-0R0X	MG RESISTOR	0Ω 1/10W J	1	A,B,C,D,E,F,G,H,I,J,K,L,M N,O,P,Q,R,S,T,U,V,W,X, Y,Z,AA
	R113	NRSA63J-0R0X	MG RESISTOR	0Ω 1/10W J	1	A,B,C,D,E,F,G,H,I,J,K,L,M N,O,P,Q,R,S,T,U,V,W,X, Y,Z,AA
	R114	NRSA63J-103X	MG RESISTOR	10kΩ 1/16W J	1	A,B,C,D,E,F,G,H,I,J,K,L,M N,O,P,Q,R,S,T,U,V,W,X, Y,Z,AA
	R117	NRSA6AD-103W	MG RESISTOR	10kΩ 1/16W D	1	A,B,C,D,E,F,G,H,I,J,K,L,M N,O,P,Q,R,S,T,U,V,W,X, Y,Z,AA
	R118	NRSA6AD-101W	MG RESISTOR	100Ω 1/16W D	1	A,B,C,D,E,F,G,H,I,J,K,L,M N,O,P,Q,R,S,T,U,V,W,X, Y,Z,AA
	R119	NRSA63D-471X	MG RESISTOR	470Ω 1/16W D	1	A,B,C,D,E,F,G,H,I,J,K,L,M N,O,P,Q,R,S,T,U,V,W,X, Y,Z,AA
	R120	NRSA63J-152X	MG RESISTOR	1.5kΩ 1/16W J	1	A,B,C,D,E,F,G,H,I,J,K,L,M N,O,P,Q,R,S,T,U,V,W,X, Y,Z,AA
	R122	NRSA6AD-103W	MG RESISTOR	10kΩ 1/16W D	1	A,B,C,D,E,F,G,H,I,J,K,L,M N,O,P,Q,R,S,T,U,V,W,X, Y,Z,AA
	R128	NRSA6AD-270W	MG RESISTOR	27Ω 1/16W D	1	A,B,C,D,E,F,G,H,I,J,K,L,M N,O,P,Q,R,S,T,U,V,W,X, Y,Z,AA
	R129	NRSA6AD-103W	MG RESISTOR	10kΩ 1/16W D	1	A,B,C,D,E,F,G,H,I,J,K,L,M N,O,P,Q,R,S,T,U,V,W,X, Y,Z,AA
	R131	NRSA6AD-102W	MG RESISTOR	1kΩ 1/16W D	1	A,B,C,D,E,F,G,H,I,J,K,L,M N,O,P,Q,R,S,T,U,V,W,X, Y,Z,AA
	R132	NRSA6AD-102W	MG RESISTOR	1kΩ 1/16W D	1	A,B,C,D,E,F,G,H,I,J,K,L,M N,O,P,Q,R,S,T,U,V,W,X, Y,Z,AA
	R133	NRSA6AD-223W	MG RESISTOR	22kΩ 1/16W D	1	A,B,C,D,E,F,G,H,I,J,K,L,M N,O,P,Q,R,S,T,U,V,W,X, Y,Z,AA
	R134	NRSA6AD-104W	MG RESISTOR	100kΩ 1/16W D	1	A,B,C,D,E,F,G,H,I,J,K,L,M N,O,P,Q,R,S,T,U,V,W,X, Y,Z,AA
	R136	NRSA63J-0R0X	MG RESISTOR	0Ω 1/10W J	1	A,B,C,D,E,F,G,H,I,J,K,L,M N,O,P,Q,R,S,T,U,V,W,X, Y,Z,AA
	R137	NRSA63J-0R0X	MG RESISTOR	0Ω 1/10W J	1	A,B,C,D,E,F,G,H,I,J,K,L,M N,O,P,Q,R,S,T,U,V,W,X, Y,Z,AA
	R138	NRSA63J-0R0X	MG RESISTOR	0Ω 1/10W J	1	A,B,C,D,E,F,G,H,I,J,K,L,M N,O,P,Q,R,S,T,U,V,W,X, Y,Z,AA
	R141	NRSA63D-332X	MG RESISTOR	3.3kΩ 1/16W D	1	A,B,C,D,E,F,G,H,I,J,K,L,M N,O,P,Q,R,S,T,U,V,W,X, Y,Z,AA
	R142	NRSA63J-0R0X	MG RESISTOR	0Ω 1/10W J	1	A,B,C,D,E,F,G,H,I,J,K,L,M N,O,P,Q,R,S,T,U,V,W,X, Y,Z,AA
	R144	NRSA6AD-103W	MG RESISTOR	10kΩ 1/16W D	1	A,B,C,D,E,F,G,H,I,J,K,L,M N,O,P,Q,R,S,T,U,V,W,X, Y,Z,AA
	R145	NRSA6AD-103W	MG RESISTOR	10kΩ 1/16W D	1	A,B,C,D,E,F,G,H,I,J,K,L,M N,O,P,Q,R,S,T,U,V,W,X, Y,Z,AA
	R152	NRSA63J-0R0X	MG RESISTOR	0Ω 1/10W J	1	A,B,C,D,E,F,G,H,I,J,K,L,M N,O,P,Q,R,S,T,U,V,W,X, Y,Z,AA

MODEL	MARK	MODEL	MARK	MODEL	MARK	MODEL	MARK
KW-ADV793J	A	KW-AVX730E	B	KW-AVX730EE	C	KW-AVX730J	D
KW-AVX735EU	E	KW-AVX735U	F	KW-AVX735UN	G	KW-AVX736A	H
KW-AVX736EU	I	KW-AVX736U	J	KW-AVX736UN	K	KW-AVX736UT	L
KW-AVX736UW	M	KW-AVX738JW	N	KW-AVX830E	O	KW-AVX830J	P
KW-AVX835EU	Q	KW-AVX835U	R	KW-AVX835UN	S	KW-AVX836A	T
KW-AVX836EU	U	KW-AVX836U	V	KW-AVX836UN	W	KW-AVX836UT	X
KW-AVX836UW	Y	KW-AVX838JW	Z	KW-AVX838UF	AA		

Safe	Symbol No.	Parts No.	Parts Name	Description	QTY	Local
	R153	NRSA6AD-162W	MG RESISTOR	1.6kΩ 1/16W D	1	A,B,C,D,E,F,G,H,I,J,K,L,M .N,O,P,Q,R,S,T,U,V,W,X, Y,Z,AA
	R156	NRSA63J-0R0X	MG RESISTOR	0Ω 1/10W J	1	A,B,C,D,E,F,G,H,I,J,K,L,M .N,O,P,Q,R,S,T,U,V,W,X, Y,Z,AA
	R160	NRSA63D-303X	MG RESISTOR	30kΩ 1/16W D	1	A,B,C,D,E,F,G,H,I,J,K,L,M .N,O,P,Q,R,S,T,U,V,W,X, Y,Z,AA
	R163	NRSA6AD-103W	MG RESISTOR	10kΩ 1/16W D	1	A,B,C,D,E,F,G,H,I,J,K,L,M .N,O,P,Q,R,S,T,U,V,W,X, Y,Z,AA
	R164	NRSA63J-181X	MG RESISTOR	180Ω 1/16W J	1	A,B,C,D,E,F,G,H,I,J,K,L,M .N,O,P,Q,R,S,T,U,V,W,X, Y,Z,AA
	R165	NRSA6AD-473W	MG RESISTOR	47kΩ 1/16W D	1	A,B,C,D,E,F,G,H,I,J,K,L,M .N,O,P,Q,R,S,T,U,V,W,X, Y,Z,AA
	R166	NRSA6AD-473W	MG RESISTOR	47kΩ 1/16W D	1	A,B,C,D,E,F,G,H,I,J,K,L,M .N,O,P,Q,R,S,T,U,V,W,X, Y,Z,AA
	R168	NRSA6AD-473W	MG RESISTOR	47kΩ 1/16W D	1	A,B,C,D,E,F,G,H,I,J,K,L,M .N,O,P,Q,R,S,T,U,V,W,X, Y,Z,AA
	R170	NRSA6AD-151W	MG RESISTOR	150Ω 1/16W D	1	A,B,C,D,E,F,G,H,I,J,K,L,M .N,O,P,Q,R,S,T,U,V,W,X, Y,Z,AA
	R171	NRSA63J-105X	MG RESISTOR	1MΩ 1/16W J	1	A,B,C,D,E,F,G,H,I,J,K,L,M .N,O,P,Q,R,S,T,U,V,W,X, Y,Z,AA
	R172	NRSA6AD-101W	MG RESISTOR	100Ω 1/16W D	1	A,B,C,D,E,F,G,H,I,J,K,L,M .N,O,P,Q,R,S,T,U,V,W,X, Y,Z,AA
	R173	NRSA6AD-101W	MG RESISTOR	100Ω 1/16W D	1	A,B,C,D,E,F,G,H,I,J,K,L,M .N,O,P,Q,R,S,T,U,V,W,X, Y,Z,AA
	R174	NRSA6AD-101W	MG RESISTOR	100Ω 1/16W D	1	A,B,C,D,E,F,G,H,I,J,K,L,M .N,O,P,Q,R,S,T,U,V,W,X, Y,Z,AA
	R177	NRSA63J-0R0X	MG RESISTOR	0Ω 1/10W J	1	A,B,C,D,E,F,G,H,I,J,K,L,M .N,O,P,Q,R,S,T,U,V,W,X, Y,Z,AA
	R178	NRSA63J-0R0X	MG RESISTOR	0Ω 1/10W J	1	A,B,C,D,E,F,G,H,I,J,K,L,M .N,O,P,Q,R,S,T,U,V,W,X, Y,Z,AA
	R187	NRSA63J-0R0X	MG RESISTOR	0Ω 1/10W J	1	A,B,C,D,E,F,G,H,I,J,K,L,M .N,O,P,Q,R,S,T,U,V,W,X, Y,Z,AA
	R189	NRSA6AD-331W	MG RESISTOR	330Ω 1/16W D	1	A,B,C,D,E,F,G,H,I,J,K,L,M .N,O,P,Q,R,S,T,U,V,W,X, Y,Z,AA
	R190	NRSA6AD-331W	MG RESISTOR	330Ω 1/16W D	1	A,B,C,D,E,F,G,H,I,J,K,L,M .N,O,P,Q,R,S,T,U,V,W,X, Y,Z,AA
	R195	NRSA6AD-102W	MG RESISTOR	1kΩ 1/16W D	1	A,B,C,D,E,F,G,H,I,J,K,L,M .N,O,P,Q,R,S,T,U,V,W,X, Y,Z,AA
	R211	NRSA6AD-473W	MG RESISTOR	47kΩ 1/16W D	1	A,B,C,D,E,F,G,H,I,J,K,L,M .N,O,P,Q,R,S,T,U,V,W,X, Y,Z,AA
	R213	NRSA63J-100X	MG RESISTOR	10Ω 1/16W J	1	A,B,C,D,E,F,G,H,I,J,K,L,M .N,O,P,Q,R,S,T,U,V,W,X, Y,Z,AA

MODEL	MARK	MODEL	MARK	MODEL	MARK	MODEL	MARK
KW-ADV793J	A	KW-AVX730E	B	KW-AVX730EE	C	KW-AVX730J	D
KW-AVX735EU	E	KW-AVX735U	F	KW-AVX735UN	G	KW-AVX736A	H
KW-AVX736EU	I	KW-AVX736U	J	KW-AVX736UN	K	KW-AVX736UT	L
KW-AVX736UW	M	KW-AVX738JW	N	KW-AVX830E	O	KW-AVX830J	P
KW-AVX835EU	Q	KW-AVX835U	R	KW-AVX835UN	S	KW-AVX836A	T
KW-AVX836EU	U	KW-AVX836U	V	KW-AVX836UN	W	KW-AVX836UT	X
KW-AVX836UW	Y	KW-AVX838JW	Z	KW-AVX838UF	AA		

Safe	Symbol No.	Parts No.	Parts Name	Description	QTY	Local
	R215	NRSA63D-122X	MG RESISTOR	1.2kΩ 1/16W D	1	A,B,C,D,E,F,G,H,I,J,K,L,M .N,O,P,Q,R,S,T,U,V,W,X, Y,Z,AA
	R216	NRSA63D-122X	MG RESISTOR	1.2kΩ 1/16W D	1	A,B,C,D,E,F,G,H,I,J,K,L,M .N,O,P,Q,R,S,T,U,V,W,X, Y,Z,AA
	R217	NRSA6AD-100W	MG RESISTOR	10Ω 1/16W D	1	A,B,C,D,E,F,G,H,I,J,K,L,M .N,O,P,Q,R,S,T,U,V,W,X, Y,Z,AA
	R219	NRSA63J-150X	MG RESISTOR	15Ω 1/16W J	1	A,B,C,D,E,F,G,H,I,J,K,L,M .N,O,P,Q,R,S,T,U,V,W,X, Y,Z,AA
	R220	NRSA63J-0R0X	MG RESISTOR	0Ω 1/10W J	1	A,B,C,D,E,F,G,H,I,J,K,L,M .N,O,P,Q,R,S,T,U,V,W,X, Y,Z,AA
	R226	NRSA6AD-473W	MG RESISTOR	47kΩ 1/16W D	1	A,B,C,D,E,F,G,H,I,J,K,L,M .N,O,P,Q,R,S,T,U,V,W,X, Y,Z,AA
	R229	NRSA63J-0R0X	MG RESISTOR	0Ω 1/10W J	1	A,B,C,D,E,F,G,H,I,J,K,L,M .N,O,P,Q,R,S,T,U,V,W,X, Y,Z,AA
	R233	NRSA6AD-103W	MG RESISTOR	10kΩ 1/16W D	1	A,B,C,D,E,F,G,H,I,J,K,L,M .N,O,P,Q,R,S,T,U,V,W,X, Y,Z,AA
	R265	NRSA6AD-103W	MG RESISTOR	10kΩ 1/16W D	1	A,B,C,D,E,F,G,H,I,J,K,L,M .N,O,P,Q,R,S,T,U,V,W,X, Y,Z,AA
	R267	NRSA6AD-472W	MG RESISTOR	4.7kΩ 1/16W D	1	A,B,C,D,E,F,G,H,I,J,K,L,M .N,O,P,Q,R,S,T,U,V,W,X, Y,Z,AA
	R268	NRSA63J-0R0X	MG RESISTOR	0Ω 1/10W J	1	A,B,C,D,E,F,G,H,I,J,K,L,M .N,O,P,Q,R,S,T,U,V,W,X, Y,Z,AA
	R303	NRZ0098-R18X	MG RESISTOR	0.18Ω	1	A,B,C,D,E,F,G,H,I,J,K,L,M .N,O,P,Q,R,S,T,U,V,W,X, Y,Z,AA
	R305	NRS181F-330X	MG RESISTOR	33Ω 1/8W F	1	A,B,C,D,E,F,G,H,I,J,K,L,M .N,O,P,Q,R,S,T,U,V,W,X, Y,Z,AA
	R306	NRS181F-330X	MG RESISTOR	33Ω 1/8W F	1	A,B,C,D,E,F,G,H,I,J,K,L,M .N,O,P,Q,R,S,T,U,V,W,X, Y,Z,AA
	R309	NRZ0098-R47X	MG RESISTOR	0.47Ω	1	A,B,C,D,E,F,G,H,I,J,K,L,M .N,O,P,Q,R,S,T,U,V,W,X, Y,Z,AA
	R310	NRSA6AD-333W	MG RESISTOR	33kΩ 1/16W D	1	A,B,C,D,E,F,G,H,I,J,K,L,M .N,O,P,Q,R,S,T,U,V,W,X, Y,Z,AA
	R311	NRSA63J-391X	MG RESISTOR	390Ω 1/16W J	1	A,B,C,D,E,F,G,H,I,J,K,L,M .N,O,P,Q,R,S,T,U,V,W,X, Y,Z,AA
	R318	NRSA63J-203X	MG RESISTOR	20kΩ 1/16W J	1	A,B,C,D,E,F,G,H,I,J,K,L,M .N,O,P,Q,R,S,T,U,V,W,X, Y,Z,AA
	R319	NRSA6AD-622W	MG RESISTOR	6.2kΩ 1/16W D	1	A,B,C,D,E,F,G,H,I,J,K,L,M .N,O,P,Q,R,S,T,U,V,W,X, Y,Z,AA
	R323	NRSA6AD-391W	MG RESISTOR	390Ω 1/16W D	1	A,B,C,D,E,F,G,H,I,J,K,L,M .N,O,P,Q,R,S,T,U,V,W,X, Y,Z,AA
	R324	NRSA63D-682X	MG RESISTOR	6.8kΩ 1/16W D	1	A,B,C,D,E,F,G,H,I,J,K,L,M .N,O,P,Q,R,S,T,U,V,W,X, Y,Z,AA
	R325	NRSA63D-753X	MG RESISTOR	75kΩ 1/16W D	1	A,B,C,D,E,F,G,H,I,J,K,L,M .N,O,P,Q,R,S,T,U,V,W,X, Y,Z,AA

MODEL	MARK	MODEL	MARK	MODEL	MARK	MODEL	MARK
KW-ADV793J	A	KW-AVX730E	B	KW-AVX730EE	C	KW-AVX730J	D
KW-AVX735EU	E	KW-AVX735U	F	KW-AVX735UN	G	KW-AVX736A	H
KW-AVX736EU	I	KW-AVX736U	J	KW-AVX736UN	K	KW-AVX736UT	L
KW-AVX736UW	M	KW-AVX738JW	N	KW-AVX830E	O	KW-AVX830J	P
KW-AVX835EU	Q	KW-AVX835U	R	KW-AVX835UN	S	KW-AVX836A	T
KW-AVX836EU	U	KW-AVX836U	V	KW-AVX836UN	W	KW-AVX836UT	X
KW-AVX836UW	Y	KW-AVX838JW	Z	KW-AVX838UF	AA		

Safe	Symbol No.	Parts No.	Parts Name	Description	QTY	Local
	R329	NRZ0098-R47X	MG RESISTOR	0.47Ω	1	A,B,C,D,E,F,G,H,I,J,K,L,M .N,O,P,Q,R,S,T,U,V,W,X, Y,Z,AA
	R352	NRSA6AD-102W	MG RESISTOR	1kΩ 1/16W D	1	A,B,C,D,E,F,G,H,I,J,K,L,M .N,O,P,Q,R,S,T,U,V,W,X, Y,Z,AA
	R357	NRZ0098-R22X	MG RESISTOR	0.22Ω	1	A,B,C,D,E,F,G,H,I,J,K,L,M .N,O,P,Q,R,S,T,U,V,W,X, Y,Z,AA
	R359	NRSA6AD-243W	MG RESISTOR	24kΩ 1/16W D	1	A,B,C,D,E,F,G,H,I,J,K,L,M .N,O,P,Q,R,S,T,U,V,W,X, Y,Z,AA
	R362	NRSA63J-103X	MG RESISTOR	10kΩ 1/16W J	1	A,B,C,D,E,F,G,H,I,J,K,L,M .N,O,P,Q,R,S,T,U,V,W,X, Y,Z,AA
	R364	NRSA63J-391X	MG RESISTOR	390Ω 1/16W J	1	A,B,C,D,E,F,G,H,I,J,K,L,M .N,O,P,Q,R,S,T,U,V,W,X, Y,Z,AA
	R365	NRSA6AD-103W	MG RESISTOR	10kΩ 1/16W D	1	A,B,C,D,E,F,G,H,I,J,K,L,M .N,O,P,Q,R,S,T,U,V,W,X, Y,Z,AA
	R366	NRZ0098-R22X	MG RESISTOR	0.22Ω	1	A,B,C,D,E,F,G,H,I,J,K,L,M .N,O,P,Q,R,S,T,U,V,W,X, Y,Z,AA
	R367	NRSA6AD-104W	MG RESISTOR	100kΩ 1/16W D	1	A,B,C,D,E,F,G,H,I,J,K,L,M .N,O,P,Q,R,S,T,U,V,W,X, Y,Z,AA
	R369	NRZ0098-R22X	MG RESISTOR	0.22Ω	1	A,B,C,D,E,F,G,H,I,J,K,L,M .N,O,P,Q,R,S,T,U,V,W,X, Y,Z,AA
	R371	NRSA63J-0R0X	MG RESISTOR	0Ω 1/10W J	1	A,B,C,D,E,F,G,H,I,J,K,L,M .N,O,P,Q,R,S,T,U,V,W,X, Y,Z,AA
	R375	NRSA6AD-152W	MG RESISTOR	1.5kΩ 1/16W D	1	A,B,C,D,E,F,G,H,I,J,K,L,M .N,O,P,Q,R,S,T,U,V,W,X, Y,Z,AA
	R376	NRSA6AD-822W	MG RESISTOR	8.2kΩ 1/16W D	1	A,B,C,D,E,F,G,H,I,J,K,L,M .N,O,P,Q,R,S,T,U,V,W,X, Y,Z,AA
	R379	NRSA63D-332X	MG RESISTOR	3.3kΩ 1/16W D	1	A,B,C,D,E,F,G,H,I,J,K,L,M .N,O,P,Q,R,S,T,U,V,W,X, Y,Z,AA
	R380	NRSA63J-223X	MG RESISTOR	22kΩ 1/16W J	1	A,B,C,D,E,F,G,H,I,J,K,L,M .N,O,P,Q,R,S,T,U,V,W,X, Y,Z,AA
	R382	NRSA6AD-102W	MG RESISTOR	1kΩ 1/16W D	1	A,B,C,D,E,F,G,H,I,J,K,L,M .N,O,P,Q,R,S,T,U,V,W,X, Y,Z,AA
	R383	NRSA63J-223X	MG RESISTOR	22kΩ 1/16W J	1	A,B,C,D,E,F,G,H,I,J,K,L,M .N,O,P,Q,R,S,T,U,V,W,X, Y,Z,AA
	R384	NRSA6AD-104W	MG RESISTOR	100kΩ 1/16W D	1	A,B,C,D,E,F,G,H,I,J,K,L,M .N,O,P,Q,R,S,T,U,V,W,X, Y,Z,AA
	R386	NRSA6AD-184W	MG RESISTOR	180kΩ 1/16W D	1	A,B,C,D,E,F,G,H,I,J,K,L,M .N,O,P,Q,R,S,T,U,V,W,X, Y,Z,AA
	R387	NRSA63D-473X	MG RESISTOR	47kΩ 1/16W D	1	A,B,C,D,E,F,G,H,I,J,K,L,M .N,O,P,Q,R,S,T,U,V,W,X, Y,Z,AA
	R391	NRSA6AD-822W	MG RESISTOR	8.2kΩ 1/16W D	1	A,B,C,D,E,F,G,H,I,J,K,L,M .N,O,P,Q,R,S,T,U,V,W,X, Y,Z,AA
	R392	NRSA63J-103X	MG RESISTOR	10kΩ 1/16W J	1	A,B,C,D,E,F,G,H,I,J,K,L,M .N,O,P,Q,R,S,T,U,V,W,X, Y,Z,AA

MODEL	MARK	MODEL	MARK	MODEL	MARK	MODEL	MARK
KW-ADV793J	A	KW-AVX730E	B	KW-AVX730EE	C	KW-AVX730J	D
KW-AVX735EU	E	KW-AVX735U	F	KW-AVX735UN	G	KW-AVX736A	H
KW-AVX736EU	I	KW-AVX736U	J	KW-AVX736UN	K	KW-AVX736UT	L
KW-AVX736UW	M	KW-AVX738JW	N	KW-AVX830E	O	KW-AVX830J	P
KW-AVX835EU	Q	KW-AVX835U	R	KW-AVX835UN	S	KW-AVX836A	T
KW-AVX836EU	U	KW-AVX836U	V	KW-AVX836UN	W	KW-AVX836UT	X
KW-AVX836UW	Y	KW-AVX838JW	Z	KW-AVX838UF	AA		

Safe	Symbol No.	Parts No.	Parts Name	Description	QTY	Local
	R393	NRSA6AD-103W	MG RESISTOR	10kΩ 1/16W D	1	A,B,C,D,E,F,G,H,I,J,K,L,M N,O,P,Q,R,S,T,U,V,W,X, Y,Z,AA
	R394	NRSA63J-333X	MG RESISTOR	33kΩ 1/16W J	1	A,B,C,D,E,F,G,H,I,J,K,L,M N,O,P,Q,R,S,T,U,V,W,X, Y,Z,AA
	R397	NRSA6AD-101W	MG RESISTOR	100Ω 1/16W D	1	A,B,C,D,E,F,G,H,I,J,K,L,M N,O,P,Q,R,S,T,U,V,W,X, Y,Z,AA
	R400	NRSA6AD-153W	MG RESISTOR	15kΩ 1/16W D	1	A,B,C,D,E,F,G,H,I,J,K,L,M N,O,P,Q,R,S,T,U,V,W,X, Y,Z,AA
	R402	NRSA6AD-473W	MG RESISTOR	47kΩ 1/16W D	1	A,B,C,D,E,F,G,H,I,J,K,L,M N,O,P,Q,R,S,T,U,V,W,X, Y,Z,AA
	R403	NRSA63J-101X	MG RESISTOR	100Ω 1/16W J	1	A,B,C,D,E,F,G,H,I,J,K,L,M N,O,P,Q,R,S,T,U,V,W,X, Y,Z,AA
	R406	NRZ0098-R22X	MG RESISTOR	0.22Ω	1	A,B,C,D,E,F,G,H,I,J,K,L,M N,O,P,Q,R,S,T,U,V,W,X, Y,Z,AA
	R417	NRSA63J-183X	MG RESISTOR	18kΩ 1/16W J	1	A,B,C,D,E,F,G,H,I,J,K,L,M N,O,P,Q,R,S,T,U,V,W,X, Y,Z,AA
	R419	NRSA63D-104X	MG RESISTOR	100kΩ 1/16W D	1	A,B,C,D,E,F,G,H,I,J,K,L,M N,O,P,Q,R,S,T,U,V,W,X, Y,Z,AA
	R420	NRSA6AD-184W	MG RESISTOR	180kΩ 1/16W D	1	A,B,C,D,E,F,G,H,I,J,K,L,M N,O,P,Q,R,S,T,U,V,W,X, Y,Z,AA
	CN1	QGF0523F3-20W	CONNECTOR	FFC/FPC (1-20)	1	A,B,C,D,E,F,G,H,I,J,K,L,M N,O,P,Q,R,S,T,U,V,W,X, Y,Z,AA
	CN2	QGA1002F1-03X	CONNECTOR	W-B (1-3)	1	A,B,C,D,E,F,G,H,I,J,K,L,M N,O,P,Q,R,S,T,U,V,W,X, Y,Z,AA
	CN101	QGF0522F2-26W	CONNECTOR	FFC/FPC (1-26)	1	A,B,C,D,E,F,G,H,I,J,K,L,M N,O,P,Q,R,S,T,U,V,W,X, Y,Z,AA
	CN403	QGF0534F3-50X	CONNECTOR	FFC/FPC (1-50)	1	A,B,C,D,E,F,G,H,I,J,K,L,M N,O,P,Q,R,S,T,U,V,W,X, Y,Z,AA
	K101	NQR0007-002X	FERRITE BEADS		1	A,B,C,D,E,F,G,H,I,J,K,L,M N,O,P,Q,R,S,T,U,V,W,X, Y,Z,AA
	K102	NQR0007-002X	FERRITE BEADS		1	A,B,C,D,E,F,G,H,I,J,K,L,M N,O,P,Q,R,S,T,U,V,W,X, Y,Z,AA
	K103	NQR0502-001X	FERRITE BEADS		1	A,B,C,D,E,F,G,H,I,J,K,L,M N,O,P,Q,R,S,T,U,V,W,X, Y,Z,AA
	K104	NQR0502-001X	FERRITE BEADS		1	A,B,C,D,E,F,G,H,I,J,K,L,M N,O,P,Q,R,S,T,U,V,W,X, Y,Z,AA
	K105	NRSA63J-0R0X	MG RESISTOR	0Ω 1/10W J	1	A,B,C,D,E,F,G,H,I,J,K,L,M N,O,P,Q,R,S,T,U,V,W,X, Y,Z,AA
	K108	NQR0129-002X	FERRITE BEADS		1	A,B,C,D,E,F,G,H,I,J,K,L,M N,O,P,Q,R,S,T,U,V,W,X, Y,Z,AA
	K110	NQR0129-002X	FERRITE BEADS		1	A,B,C,D,E,F,G,H,I,J,K,L,M N,O,P,Q,R,S,T,U,V,W,X, Y,Z,AA
	K111	NQR0129-002X	FERRITE BEADS		1	A,B,C,D,E,F,G,H,I,J,K,L,M N,O,P,Q,R,S,T,U,V,W,X, Y,Z,AA

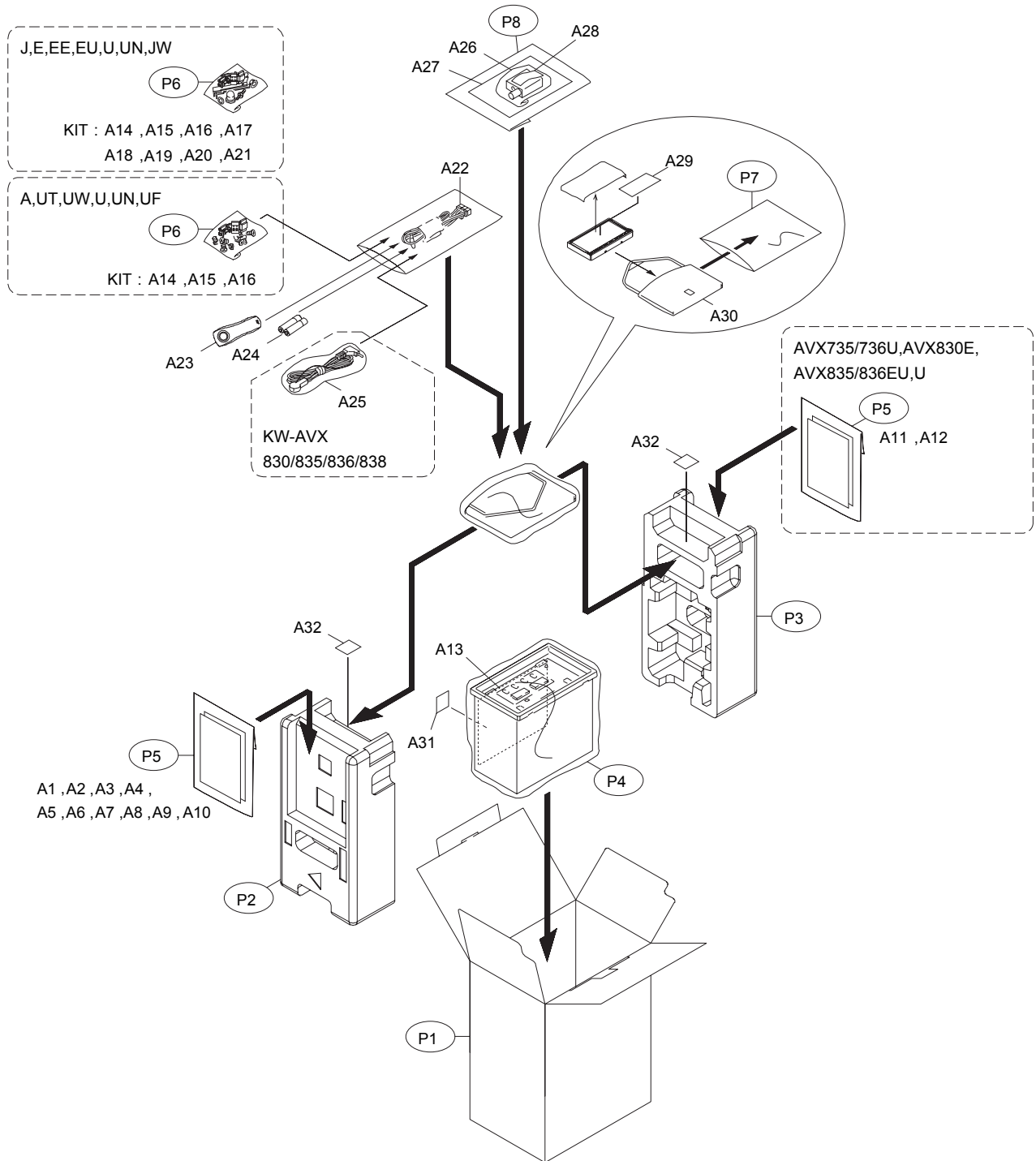
MODEL	MARK	MODEL	MARK	MODEL	MARK	MODEL	MARK
KW-ADV793J	A	KW-AVX730E	B	KW-AVX730EE	C	KW-AVX730J	D
KW-AVX735EU	E	KW-AVX735U	F	KW-AVX735UN	G	KW-AVX736A	H
KW-AVX736EU	I	KW-AVX736U	J	KW-AVX736UN	K	KW-AVX736UT	L
KW-AVX736UW	M	KW-AVX738JW	N	KW-AVX830E	O	KW-AVX830J	P
KW-AVX835EU	Q	KW-AVX835U	R	KW-AVX835UN	S	KW-AVX836A	T
KW-AVX836EU	U	KW-AVX836U	V	KW-AVX836UN	W	KW-AVX836UT	X
KW-AVX836UW	Y	KW-AVX838JW	Z	KW-AVX838UF	AA		

Safe	Symbol No.	Parts No.	Parts Name	Description	QTY	Local
	K113	NQR0502-001X	FERRITE BEADS		1	A,B,C,D,E,F,G,H,I,J,K,L,M .N,O,P,Q,R,S,T,U,V,W,X, Y,Z,AA
	K114	NQR0022-005X	FERRITE BEADS		1	A,B,C,D,E,F,G,H,I,J,K,L,M .N,O,P,Q,R,S,T,U,V,W,X, Y,Z,AA
	K115	NQR0022-005X	FERRITE BEADS		1	A,B,C,D,E,F,G,H,I,J,K,L,M .N,O,P,Q,R,S,T,U,V,W,X, Y,Z,AA
	K116	NQR0129-002X	FERRITE BEADS		1	A,B,C,D,E,F,G,H,I,J,K,L,M .N,O,P,Q,R,S,T,U,V,W,X, Y,Z,AA
	K117	NQR0022-005X	FERRITE BEADS		1	A,B,C,D,E,F,G,H,I,J,K,L,M .N,O,P,Q,R,S,T,U,V,W,X, Y,Z,AA
	K118	NRSA63J-0R0X	MG RESISTOR	0Ω 1/10W J	1	A,B,C,D,E,F,G,H,I,J,K,L,M .N,O,P,Q,R,S,T,U,V,W,X, Y,Z,AA
	K119	NRSA63J-0R0X	MG RESISTOR	0Ω 1/10W J	1	A,B,C,D,E,F,G,H,I,J,K,L,M .N,O,P,Q,R,S,T,U,V,W,X, Y,Z,AA
	K120	NRSA63J-0R0X	MG RESISTOR	0Ω 1/10W J	1	A,B,C,D,E,F,G,H,I,J,K,L,M .N,O,P,Q,R,S,T,U,V,W,X, Y,Z,AA
	K132	NQR0022-005X	FERRITE BEADS		1	A,B,C,D,E,F,G,H,I,J,K,L,M .N,O,P,Q,R,S,T,U,V,W,X, Y,Z,AA
	K133	NQR0022-005X	FERRITE BEADS		1	A,B,C,D,E,F,G,H,I,J,K,L,M .N,O,P,Q,R,S,T,U,V,W,X, Y,Z,AA
	K134	NRSA63J-0R0X	MG RESISTOR	0Ω 1/10W J	1	A,B,C,D,E,F,G,H,I,J,K,L,M .N,O,P,Q,R,S,T,U,V,W,X, Y,Z,AA
	K135	NQR0022-005X	FERRITE BEADS		1	A,B,C,D,E,F,G,H,I,J,K,L,M .N,O,P,Q,R,S,T,U,V,W,X, Y,Z,AA
	K136	NQR0022-005X	FERRITE BEADS		1	A,B,C,D,E,F,G,H,I,J,K,L,M .N,O,P,Q,R,S,T,U,V,W,X, Y,Z,AA
	K137	NRSA63J-0R0X	MG RESISTOR	0Ω 1/10W J	1	A,B,C,D,E,F,G,H,I,J,K,L,M .N,O,P,Q,R,S,T,U,V,W,X, Y,Z,AA
	K141	NRSA63J-0R0X	MG RESISTOR	0Ω 1/10W J	1	A,B,C,D,E,F,G,H,I,J,K,L,M .N,O,P,Q,R,S,T,U,V,W,X, Y,Z,AA
	K142	NRSA63J-0R0X	MG RESISTOR	0Ω 1/10W J	1	A,B,C,D,E,F,G,H,I,J,K,L,M .N,O,P,Q,R,S,T,U,V,W,X, Y,Z,AA
	S1	NSW0313-001X	DETECT SWITCH		1	A,B,C,D,E,F,G,H,I,J,K,L,M .N,O,P,Q,R,S,T,U,V,W,X, Y,Z,AA
	TH491	NAD0025-103X	N THERMISTOR	10kΩ	1	A,B,C,D,E,F,G,H,I,J,K,L,M .N,O,P,Q,R,S,T,U,V,W,X, Y,Z,AA
	X351	NAX0741-001X	CRYSTAL	27.000MHz	1	A,B,C,D,E,F,G,H,I,J,K,L,M .N,O,P,Q,R,S,T,U,V,W,X, Y,Z,AA
	X354	NAX0927-001X	CRYSTAL		1	A,B,C,D,E,F,G,H,I,J,K,L,M .N,O,P,Q,R,S,T,U,V,W,X, Y,Z,AA

Packing materials and accessories

Block No.M3MM

No additional / supplemental order of WARRANTY CARDS are available.



The parts without symbol number are not service.

MODEL	MARK	MODEL	MARK	MODEL	MARK	MODEL	MARK
KW-ADV793J	A	KW-AVX730E	B	KW-AVX730EE	C	KW-AVX730J	D
KW-AVX735EU	E	KW-AVX735U	F	KW-AVX735UN	G	KW-AVX736A	H
KW-AVX736EU	I	KW-AVX736U	J	KW-AVX736UN	K	KW-AVX736UT	L
KW-AVX736UW	M	KW-AVX738JW	N	KW-AVX830E	O	KW-AVX830J	P
KW-AVX835EU	Q	KW-AVX835U	R	KW-AVX835UN	S	KW-AVX836A	T
KW-AVX836EU	U	KW-AVX836U	V	KW-AVX836UN	W	KW-AVX836UT	X
KW-AVX836UW	Y	KW-AVX838JW	Z	KW-AVX838UF	AA		

Safe	Symbol No.	Parts No.	Parts Name	Description	QTY	Local
Packing and accessories <M3MM>						
	A1	LVT2086-001A	INST BOOK	ENG SPA	1	A,N,P,Z
	A1	LVT2086-003A	INST BOOK	ENG GER FRE DUT	1	B,O
	A1	LVT2086-007A	INST BOOK	RUS UKR	1	C
	A1	LVT2086-001B	INST BOOK	ENG SPA	1	D
	A1	LVT2086-005A	INST BOOK	ENG SPA FRE	1	E,I,Q,U
	A1	LVT2086-008A	INST BOOK	ENG	1	F,G,H,J,K,L,M,R,S,T,V,W, X,Y
	A1	LVT2086-012A	INST BOOK	CHI(PEKIN)	1	AA
	A2	LVT2086-002A	INST BOOK	FRE	1	A,P
	A2	LVT2086-004A	INST BOOK	SPA ITA POR SWE	1	B,O
	A2	LVT2086-002B	INST BOOK	FRE	1	D
	A2	LVT2086-006A	INST BOOK	TUR RUS PER	1	E,I,Q
	A2	LVT2086-011A	INST BOOK	CHI(TAIWAN)	1	F,J,L,M,R,V,X,Y
	A2	LVT2086-010A	INST BOOK	INA	1	G,K,S,W
	A3	LVT2087-001A	INSTALL MANUAL	ENG SPA	1	A,N,P,Z
	A3	LVT2087-003A	INSTALL MANUAL	ENG GER FRE DUT	1	B,O
	A3	LVT2087-007A	INSTALL MANUAL	RUS UKR	1	C
	A3	LVT2087-001B	INSTALL MANUAL	ENG SPA	1	D
	A3	LVT2087-005A	INSTALL MANUAL	ENG SPA FRE	1	E,I,Q,U
	A3	LVT2087-008A	INSTALL MANUAL	ENG	1	F,G,H,J,K,L,M,R,S,T,V,W, X,Y
	A3	LVT2087-012A	INSTALL MANUAL	CHI(PEKIN)	1	AA
	A4	LVT2087-002A	INSTALL MANUAL	FRE	1	A,P
	A4	LVT2087-004A	INSTALL MANUAL	SPA ITA POR SWE	1	B,O
	A4	LVT2087-002B	INSTALL MANUAL	FRE	1	D
	A4	LVT2087-006A	INSTALL MANUAL	TUR RUS PER	1	E,I,Q
	A4	LVT2087-011A	INSTALL MANUAL	CHI(TAIWAN)	1	F,J,L,M,R,V,X,Y
	A4	LVT2087-010A	INSTALL MANUAL	INA	1	G,K,S,W
	A5	-----	WARRANTY CARD	BT-51029-3	1	A
	A5	-----	WARRANTY CARD	BT-54042-1	1	B,C,O
	A5	-----	WARRANTY CARD	BT-51018-6	1	D,P
	A5	-----	WARRANTY CARD	BT-59033-1	1	AA
	A6	-----	WARRANTY CARD	BT-52008-1	1	A,D,P
	A7	BT-51044-1	REGISTRATION CARD		1	A,D,P
△	A8	LVT2148-001B	GOST APPROVAL		1	C
	A9	BT-59022-9	SVC CENTER LIST		1	AA
	A10	VND3050-002	IDENTITY CARD		1	B,O
	A11	LVT2086-009A	INST BOOK		1	F,J,R,V
	A11	LVT2086-006A	INST BOOK		1	U
	A12	LVT2087-009A	INSTALL MANUAL		1	F,J,R,V
	A12	LVT2087-006A	INSTALL MANUAL		1	U
	A13	LV44661-007A	CAUTION SHEET		1	A,B,C,D,E,I,N,O,P,Q,U,Z
	A13	LV44661-005A	CAUTION SHEET		1	F,G,H,J,K,L,M,R,S,T,V,W, X,Y,AA
	A14	QYSDSP5008ZA	SCREW	M5 x 8mm	8	A,B,C,D,E,I,N,O,P,Q,U,Z
	A14	QYSDSP5008ZA	SCREW	M5 x 8mm	4	F,G,H,J,K,L,M,R,S,T,V,W, X,Y,AA
	A15	QYSSSP5008ZA	SCREW	M5 x 8mm	4	A,B,C,D,E,I,N,O,P,Q,U,Z
	A15	QYSSSP5008ZA	SCREW	M5 x 8mm	8	F,G,H,J,K,L,M,R,S,T,V,W, X,Y,AA
	A16	LV45399-001A	HOOK		2	A,B,C,D,E,I,N,O,P,Q,U,Z
	A17	LV41478-001A	CORD CONNECTER		1	
	A18	VKZ4027-202	PLUG NUT		1	A,B,C,D,E,I,N,O,P,Q,U,Z
	A19	GE40426-002A	MOUNT BOLT		1	A,B,C,D,E,I,N,O,P,Q,U,Z
	A20	VKZ4328-003	LOCK NUT		1	A,B,C,D,E,I,N,O,P,Q,U,Z
	A21	QYWWSS53A008ZA	WASHER	0mm/5.3mm x	1	A,B,C,D,E,I,N,O,P,Q,U,Z
	A22	QAM1180-002	CAR CABLE		1	A,D,F,G,H,J,K,L,M,N,P,R, S,T,V,W,X,Y,Z,AA
	A22	QAM1181-002	CAR CABLE		1	B,C,E,I,O,Q,U
	A23	RM-RK252	REMOCON UNIT		1	E,F,G,H,I,J,K,L,M,N,O,Q, R,S,T,U,V,W,X,Y,Z,AA
	A24	-----	BATTERY		2	E,F,G,H,I,J,K,L,M,O,Q,R, S,T,U,V,W,X,Y,Z,AA
	A25	QAN0096-001	MICROPHONE		1	E,F,G,H,I,J,K,L,M,O,Q,R, S,T,U,V,W,X,Y,AA
	A26	QAU0526-001	RF MODULE		1	O,P,Q,R,S,T,U,V,W,X,Y,Z ,AA
	A27	GET0617-001D	ADAPTER SHEET		1	O,P,Q,R,S,T,U,V,W,X,Y,Z ,AA
△	A28	GE40476-001A	BT LABEL		1	O,P,Q,R,S,T,U,V,W,X,Y,Z ,AA
△	A28	GE40496-001A	UT LABEL		1	Q,U X
	A29	LVT1970-001A	CAUTION SHEET		1	

MODEL	MARK	MODEL	MARK	MODEL	MARK	MODEL	MARK
KW-ADV793J	A	KW-AVX730E	B	KW-AVX730EE	C	KW-AVX730J	D
KW-AVX735EU	E	KW-AVX735U	F	KW-AVX735UN	G	KW-AVX736A	H
KW-AVX736EU	I	KW-AVX736U	J	KW-AVX736UN	K	KW-AVX736UT	L
KW-AVX736UW	M	KW-AVX738JW	N	KW-AVX830E	O	KW-AVX830J	P
KW-AVX835EU	Q	KW-AVX835U	R	KW-AVX835UN	S	KW-AVX836A	T
KW-AVX836EU	U	KW-AVX836U	V	KW-AVX836UN	W	KW-AVX836UT	X
KW-AVX836UW	Y	KW-AVX838JW	Z	KW-AVX838UF	AA		

Safe	Symbol No.	Parts No.	Parts Name	Description	QTY	Local
A30		LV45104-001A	SOFT CASE		1	
A31		LV44928-301A	RECYCLE MARK		1	AA
A32		LV44927-301A	RECYCLE MARK		2	AA
KIT		SRW-MA473	SCREW PARTS KIT	A14 A15 A16 A17 A18 A19 A20 A21	1	A,B,C,D,E,F,G,I,J,K,N,O,P,Q,U,Z
KIT		SRW-MA443-3	SCREW PARTS KIT	A14 A15 A16	1	H,L,M,R,S,T,V,W,X,Y,AA
P1		LV38928-002A	CARTON		1	A
P1		LV38933-001A	CARTON		1	B
P1		LV38929-001A	CARTON		1	C
P1		LV39223-001A	CARTON		1	D
P1		LV38934-001A	CARTON		1	E,F,G
P1		LV38935-001A	CARTON		1	H,I,J,K,L
P1		LV39010-002A	CARTON		1	M
P1		LV38936-001A	CARTON		1	N
P1		LV38924-001A	CARTON		1	O
P1		LV38926-001A	CARTON		1	P
P1		LV38930-001A	CARTON		1	Q,R,S
P1		LV38931-001A	CARTON		1	T,U,V,W,X
P1		LV39011-001A	CARTON		1	Y
P1		LV38932-001A	CARTON		1	Z
P1		LV38927-001A	CARTON		1	AA
P2		LV11679-001A	CUSHION LEFT		1	A,B,C,D,E,I,N,O,P,Q,U,Z
P2		LV11693-001A	CUSHION LEFT U		1	F,G,H,J,K,L,M,R,S,T,V,W,X,Y,AA
P3		LV11680-001A	CUSHION RIGHT		1	A,B,C,D,E,I,N,O,P,Q,U,Z
P3		LV11694-001A	CUSHION RIGHT U		1	F,G,H,J,K,L,M,R,S,T,V,W,X,Y,AA
P4		QPC03504015PB	POLY BAG	35cm x 40cm	1	A,B,C,E,F,G,H,I,J,K,L,M,N,O,P,Q,R,S,T,U,V,W,X,Y,Z,AA
P4		QPC03504015PG	POLY BAG	35cm x 40cm	1	D
P5		FSPG4002-001	POLY BAG		1	A,C,D,G,H,K,L,M,N,P,S,T,W,X,Y,Z,AA
P5		FSPG4002-001	POLY BAG		2	B,E,F,I,J,O,Q,R,U,V
P6		QPA00801205	POLY BAG	8cm x 12cm	1	
P7		QPA01703505PB	POLY BAG	17cm x 35cm	1	
P8		FSPG4002-001	POLY BAG		1	O,P,Q,R,S,T,U,V,W,X,Y,Z,AA